



## Product Name

### DESCRIPTION

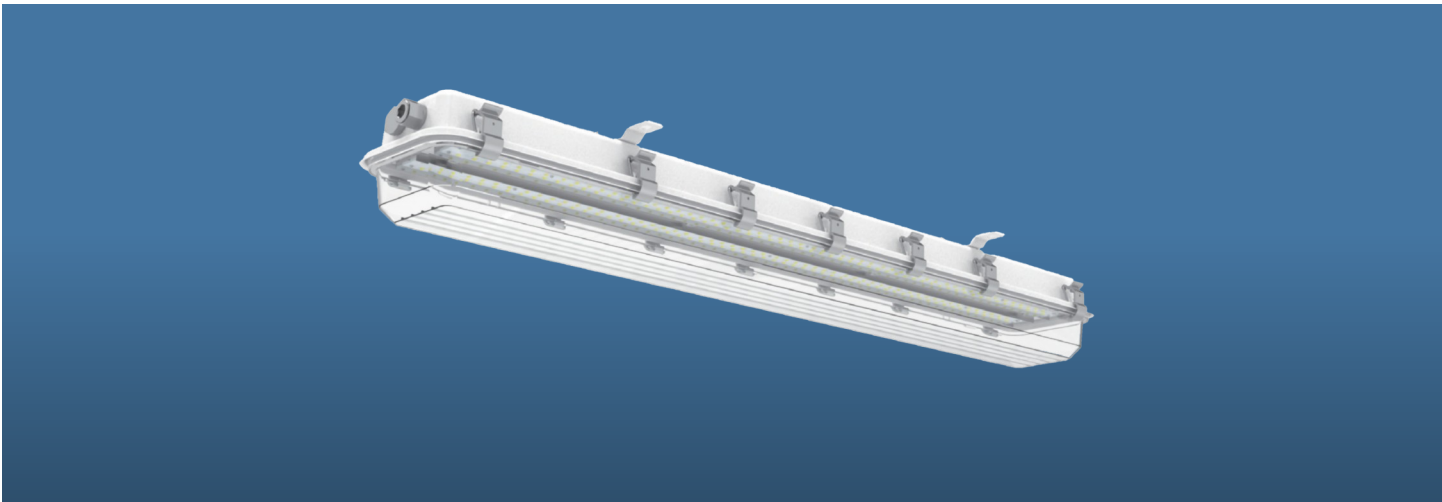
The G2EP-VT Series explosion-proof LED lights is designed for hazardous areas where flammable gasses, vapors, or liquids may be present during normal facility operations.

Combining the style and design of advanced LED technology with the robustness and durability of a hazardous-location luminaire, it is ideal for retrofitting existing HPS/MH (High-Pressure Sodium/Metal Halide) fixtures. This product delivers higher efficiency for energy savings, lower maintenance costs, and a shorter return on investment.

The optional backup battery system provides a minimum of 90 minutes of operation after AC power failure in an emergency. (Contact sales for EM options)

### FEATURES

- Compliance with UL 844 Hazardous Locations  
Class I Division 2, Group A, B, C, D  
Class II Division 1, Group E, F, G  
Class II Division 2, Group F, G  
Class III
- Standard Fixed mounting bracket for surface mount and rope for pendant mount, optional Pole mount (purchased separately)
- Equipped Latches not only for waterproof, but for quick release and easy to maintain
- SUS304 stainless steel standard housing (SUS316 optional), great corrosion and heat resistance, outstanding durability, suitable for harsh environments
- UV stabilized, impact-resistant fiberglass reinforced polycarbonate lens (clear for standard, frosted for optional)  
available in two lengths: 2 feet, 4 feet





**KEY FEATURE AND INFORMATION**

**ELECTRICAL**

MODEL	JLS-G2EP-VT-2	JLS-G2EP-VT-4
SELECTABLE POWER	20W/30W/40W	40W/50W/60W
POWER MODEL	R2: SS-55EP-M54BH for 120-347VAC or VA-40V-054B for 277-480VAC R4: SS-75EP-M54BH for 120-347VAC or HVG-100-48AB for 277-480VAC	
INPUT VOLTAGE	120-347VAC or 277-480VAC	
INPUT FREQUENCY	50/60Hz	
POWER FACTOR @120V	>0.95	
OPTIONAL EMERGENCY FUNCTION	Min. 90mins (Contact sales for EM option)	
SERVICE LIFE	Up to 50,000 hours	
SALT SPRAY	500Hours	
SURGE PROTECTION	SS-55EP-M54BH: L/N-PE: 6KV, L-N: 6KV VA-440V-054B: L/N-PE: 6KV, L/N: 6KV SS-75EP-M54BH: L/N-PE: 6KV, L/N: 6KV HVG-100-48AB: L/N-PE: 4KV, L/N: 2KV	
DIMMING	Driver includes dimming control wiring for 1-10V dimming systems. Requires separate 1-10V DC dimming circuit.	

**OPTICAL**

MODEL	JLS-G2EP-VT-2	JLS-G2EP-VT-4
SELECTABLE POWER	20W/30W/40W	40W/50W/60W
LUMENS PER WATT	180lm/W	180lm/W
LUMEN OUTPUT	3600-7200lm	7200-10800lm
SELECTABLE CCT	4000K/5000K/6500K	
CRI	>70	
BEAM ANGLE	120°	
LED	Long-life, high-efficacy, discrete, surface-mount 2835 LEDs 100,000-Hour LED lifespan based on IES LM-80 result and TM-21	

*Specifications are typical values and may change without notification*



## MECHANICAL

HOUSING MATERIAL	Stainless steel housing with baked-on White RAL9016 epoxy finish
LENS MATERIAL	Clear Polycarbonate (Standard); Frosted polycarbonate (Optional)
GASKET MATERIAL	Silicone Rubber
LATCHES/CLIPS MATERIAL	Stainless steel hardware
PROTECTION RATING	Ingress protection: IP66 Impact protection: IK10
MOUNTING OPTIONS	Surface Mount (Standard); Pendant/Rope Mount (Standard); Pole Mount (Purchase separately)
CABLE ENTIES	2*M20, 2*3/4" NPT
WARRANTY	5-year limited warranty for fixture; 3-year limited warranty for battery backup

## AMBIENT TEMPERATURE

TEST POWER	40W			30W			20W		
TEST CCT (K)	6500	5000	4000	6500	5000	4000	6500	5000	4000
LUMENS PER WATT (l/m)	175.22	179.62	175.67	173.52	177.32	175.91	170.48	172.37	174.8
LUMEN OUTPUT (l/m)	7210.1	7254.9	7261.2	5505.4	5529.8	5564.9	3525	3526.4	3580.2
BEAM ANGLE	117.6	117.4	117	117.2	117.1	116.8	117.3	117.1	116.9
CCT (K)	6280	4983	4048	6268	4979	4048	6250	4891	4046
CRI	73.9	74.8	74.3	74	74.7	74.4	74	74.8	74.4
POWER FACTOR	0.9994	0.9994	0.9994	0.9989	0.9989	0.9989	0.9977	0.9976	0.9979
TEST VOLTAGE	120V								
TEST POWER MODEL	SS-55EP-M54BH								

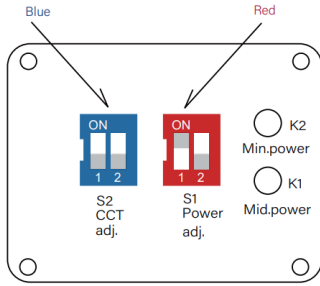
## AMBIENT TEMPERATURE

TEST POWER	60W			50W			40W		
TEST CCT (K)	6500	5000	4000	6500	5000	4000	6500	5000	4000
LUMENS PER WATT (l/m)	177.86	182.30	180.67	178.61	182.2	181.44	178.05	180.91	181.28
LUMEN OUTPUT (l/m)	10842	10931	11071	9192.2	9206	9310.7	7300.9	7312.5	7433.9
BEAM ANGLE	117.7	117.4	117.2	117.8	117.6	117.1	118	117.7	117.3
CCT (K)	6361	5023	4062	6358	5021	4062	6344	5023	4062
CRI	74.5	75.1	74.7	74.5	75.1	74.8	74.5	75	74.8
POWER FACTOR	0.9994	0.9993	0.9994	0.999	0.9991	0.999	0.9983	0.9983	0.9983
TEST VOLTAGE	120V								
TEST POWER MODEL	SS-75EP-M54BH								

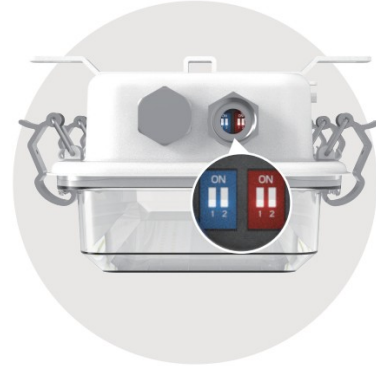
*Specifications are typical values and may change without notification*



## POWER AND CCT SELECTABLE



Power and CCT Selectable



DIP switch

### Operating Instruction

#### S1 DIP switch - Red (S1 power adj.)

The luminaire incorporates a dual-dial power configuration switch enabling three selectable output ratings. Factory default settings and power levels can be customized based on project requirements.

1. Maximum Output (100% nominal power) Switch configuration: Dial 1 = OFF, Dial 2 = OFF



R2: 40W

2. Medium Output (70%-90% of nominal power, depending on specification) Switch configuration: Dial 1 = ON, Dial 2 = OFF



R2: 30W

3. Minimum Output (50%-70% of nominal power, depending on specification) Switch configuration: Dial 1 = ON, Dial 2 = ON



R2: 20W

#### S2 DIP switch - Blue (S2 CCT adj.)

The luminaire incorporates a dual-dial power configuration switch enabling three preset color temperature options. The factory default settings can be customized according to order requirements.

1. Cool white, e.g. 6500K Switch configuration: Dial 1 = OFF, Dial 2 = OFF



6500K

2. Neutral white, e.g. 5000K Switch configuration: Dial 1 = ON, Dial 2 = OFF



5000K

3. Warm white, e.g. 4000K Switch configuration: Dial 1 = ON, Dial 2 = ON



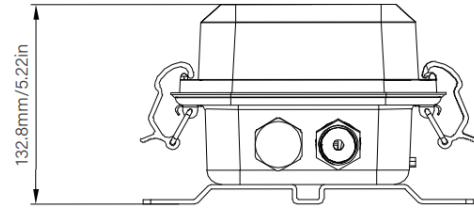
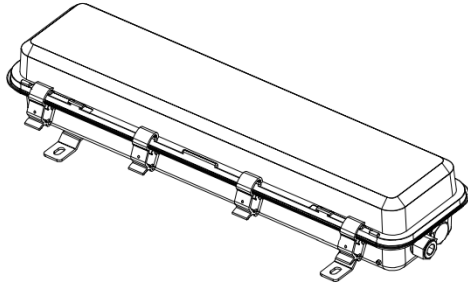
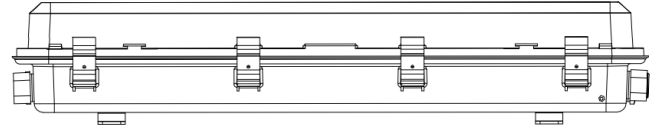
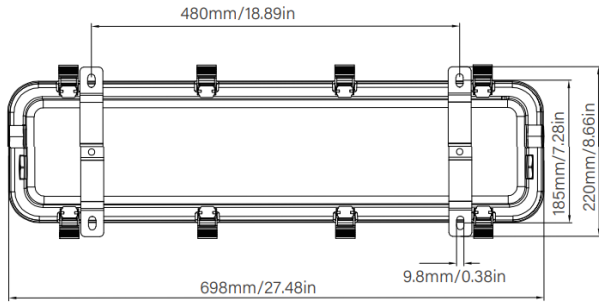
4000K

*Specifications are typical values and may change without notification*

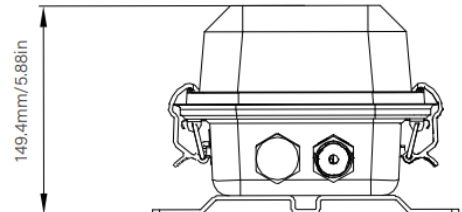
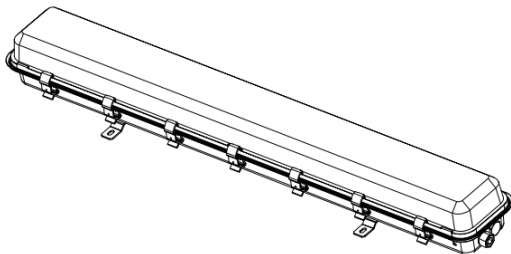
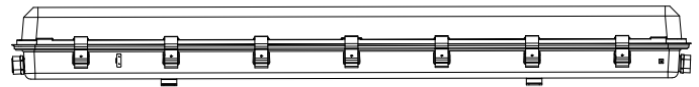
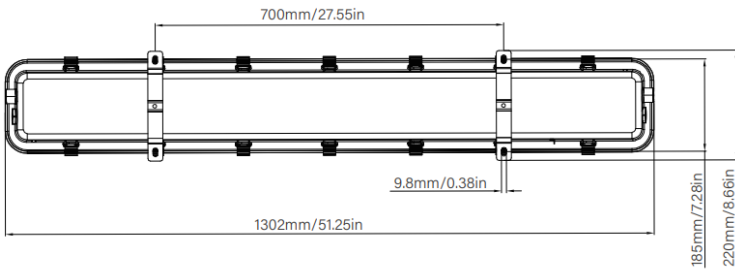


**DIMENSIONS Unit: mm(inch)**

**2FT**



**4FT**



**PACKING INFORMATION**

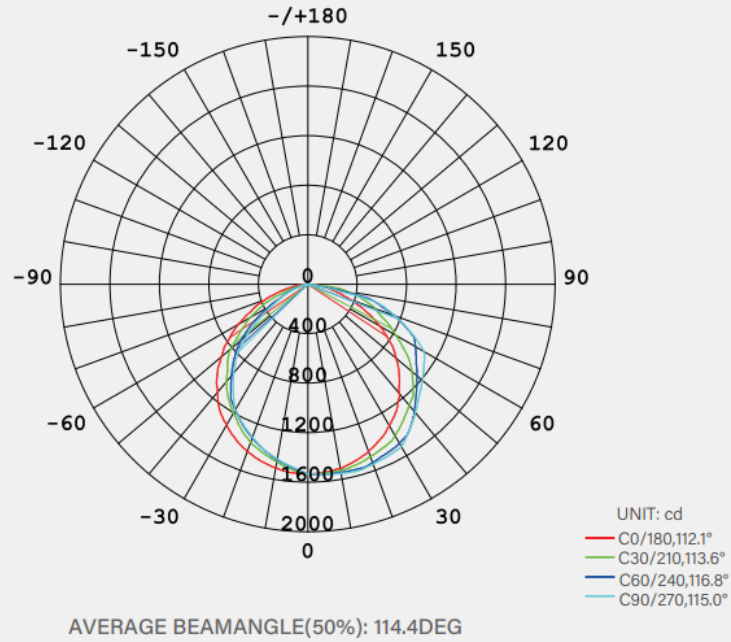
MODEL	JLS-G2EP-VT-2	JLS-G2EP-VT-4
PACKING DIMENSIONS	800x250x175mm/31.50x9.84x6.89inch	1400x250x175mm/55.12x9.84x6.89inch
NET WEIGHT	5.27 kg/11.62 lb	8.92 kg/19.66 lb
GROSS WEIGHT	6.55 kg/14.44 lb	11.2 kg/24.69 lb
QUANTITY/CARTON	1 pc	1 pc

*Specifications are typical values and may change without notification*



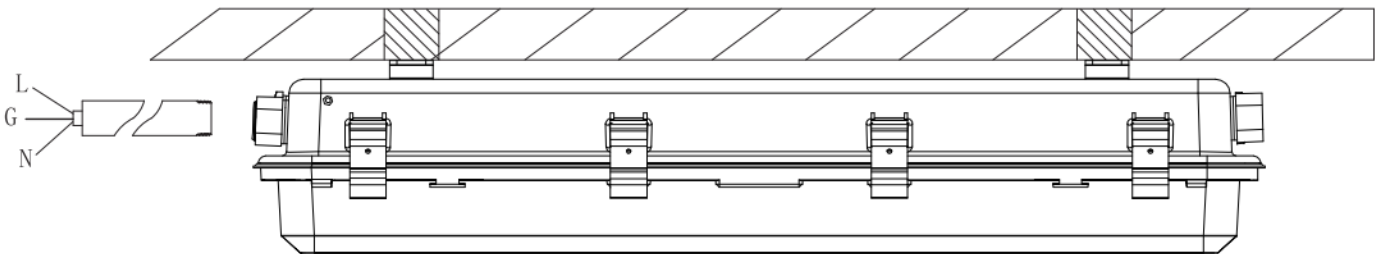
## PHOTOMETRIC

120 Degree



## MOUNTING METHODS

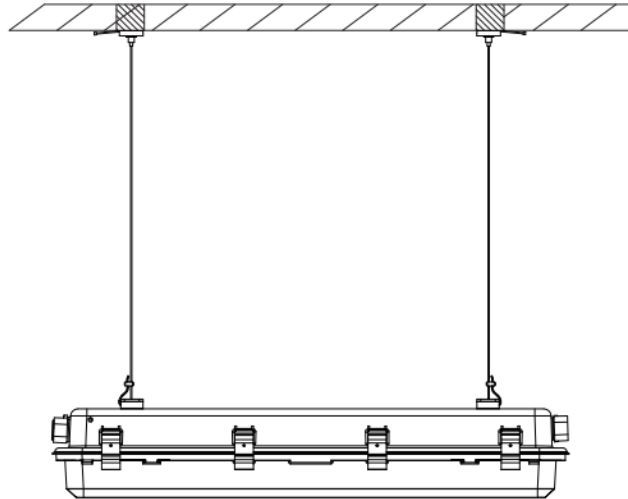
- Option 1: Surface Mounting



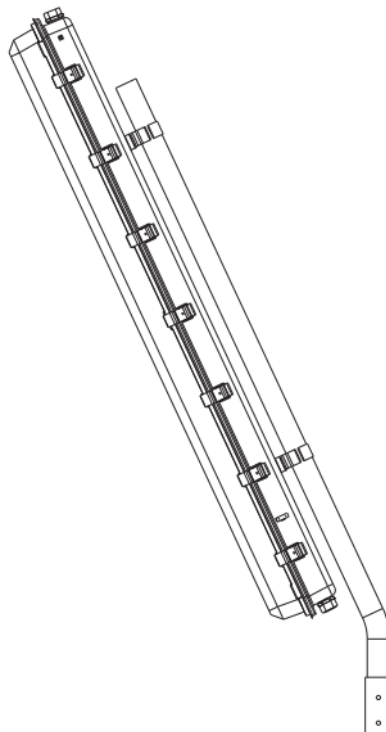
*Specifications are typical values and may change without notification*



● Option 2: Pendant/Rope Mounting



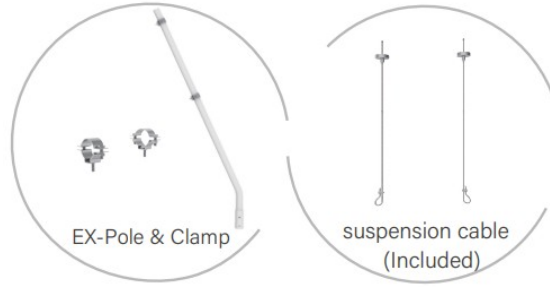
● Option 3: Pole Mounting



*Specifications are typical values and may change without notification*



**ACCESSORIES**



**ORDERING GUIDE**      EXAMPLE : JLS-G2EP-VT-2-M1-MCCT-277-D-R-MS

MODEL	LENGTH	WATTAGE	CCT	VOLATGE
JLS-G2EP-VT	2 = 2FT 4 = 4FT	M1 = 20/30/40W * M2 = 40/50/60W ** * For 2ft only ** For 4ft only	MCCT = 4000K/5000K/6500K	277 = 120-277VAC 480 = 277-480VAC

DIMMING	MOUNTING	SENSOR	EM OPTION	DESIGNATION
BLANK = Non-dimmable D = Dimmable	Blank = Ceiling/Surface Mount R = Rope/Pendant Mount P = Pole Mount	Blank = Without Sensor MS = With Motion Sensor	Blank = No EM EM = with EM	[TAA] [COM]

*Specifications are typical values and may change without notification*