



ADVANCED PAR LED LAMP

DESCRIPTION

Jaykal's LED PAR Series lamps are made for the government market for replacement of screw-in incandescent flood lamps using E26 base. Exceptional energy savings are achieved while achieving classic fixture upgrades. Series cover PAR20, PAR30 & PAR38 applications.

FEATURES

- Wattage Options : 7W/11W/13W/15W.
- CCT: 2700K/3000K/3500K/4000/5000K.
- Input Voltage 120VAC.
- Life (L70): 25,000+ Hours.
- 5 Year Warranty, 10 Year Option.
- Damp Location Rated.



Revised 2/25/2026

Specifications are typical values and may change without notification



SPECIFICATIONS

MODEL	JLS-PAR20-7-E26	JLS-PAR30-11-E26	JLS-PAR30-13-E26	JLS-PAR30-15-E26
WATTAGE	7W	11W	13W	15W
LUMENS	550lm	850lm	1,050lm	1,250lm
EFFICACY	78lm/W	77lm/W	80lm/W	83lm/W
PF	>0.7			
BASE	E26			
VOLTAGE	120V			
CCT	2700K/3000K/4000K/5000K			
DIMMING	Phase-cut dimming @120VAC			
CRI	>80			
OP. TEMP.	-20°-40°			
LIFE(L70)	25,000 Hrs			

ORDERING GUIDE

JLS-PAR30-11-840K-E26

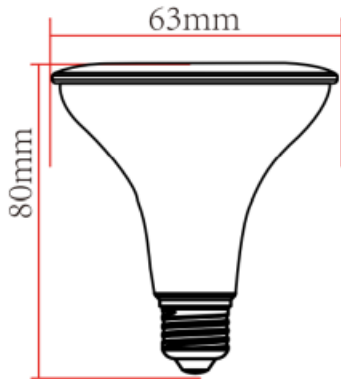
MODEL	-	TYPE	-	WATTAGE	-	CCT	-	LAMP BASE
JLS		PAR20 = PAR20 Lamp PAR30 = PAR30 Lamp PAR38 = PAR38 Lamp		7 = 7W * 11 = 11W ** 13 = 13W *** 15 = 15W *** * Only for PAR20 ** Only for PAR30 *** Only for PAR38		827K = 2700K 830K = 3000K 835K = 3500K 840K = 4000K 850K = 5000K		E26 = E26 Base

Specifications are typical values and may change without notification

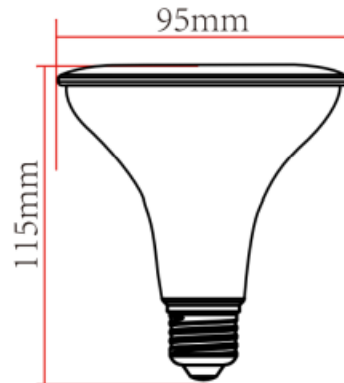


DIMENSIONS

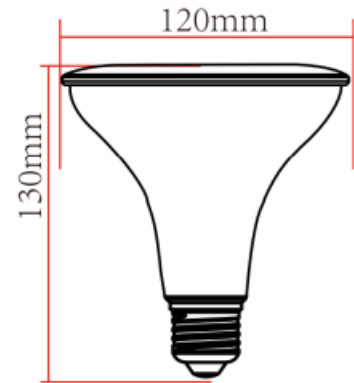
MODEL	JLS-PAR20-7-E26	JLS-PAR30-11-E26	JLS-PAR30-13-E26	JLS-PAR30-15-E26
DIMENSION	Φ63 x 80 mm / Φ2.48 x 3.15 inch	Φ95 x 115 mm / Φ3.74 x 4.53 inch	Φ120 x 130 mm / Φ4.72 x 5.12 inch	Φ120 x 130 mm / Φ4.72 x 5.12 inch



PAR20 - 7W



PAR30 - 11W



PAR38 - 13W/15W

Specifications are typical values and may change without notification