



JLS-LLE-IFS105E SERIES LINX SENSOR

DESCRIPTION

Linx Sensors effortlessly complement and extend the capabilities of LumaLinx Bluetooth-enabled devices by providing Passive Infrared (PIR) Occupancy detection and Daylight Harvesting inputs. Designed as non-Bluetooth devices, the Linx Sensors are specifically engineered to operate in tandem with Bluetooth devices such as the JLS-LLE-FA102 Bluetooth low-voltage luminaire controller or the JLS-LLE-PPA102S series line voltage Bluetooth luminaire controllers, enabling advanced occupancy sensing and daylight harvesting functionalities for enhanced energy efficiency and automated lighting control.

FEATURES

- Eco Sensors provide both PIR sensing and daylight harvesting in one convenient form factor
- PIR occupancy sensor supports setting delay time and bi-level dimming of sensors through the LumaLinx app
- Daylight harvesting provides energy savings by dynamically dimming lights in daylighted areas



Revised 5/30/2026

Specifications are typical values and may change without notification



REQUIREMENTS

- Must be paired with a Keilton+autani Bluetooth device such as a smart driver, JLS-LLE-FA102 fixture adapter with 0-10V dim-to-off driver, or a JLS-LLE-PPA102S series controller
- Requires both a JLS-LLE-CC (sensor) cable and JLS-LLE-FC (fixture) cable when paired with a JLS-LLE-FA102 (not included)

SPECIFICATIONS

MODEL	JLS-LLE-IFS105E SERIES
INPUT VOLTAGE	12VDC
INPUT POWER	0.1W
HOUSING MATERIAL	UL 94-5VA
INDOOR/OUTDOOR USE	Indoor Use Only
MOUNTING HEIGHT	8-15ft Recommended
DETECTION RANGE	28ft Diameter Maximum for Major Motion
INDOOR/OUTDOOR USE	Indoor
OPERATING TEMPERATURE	-30°C to 55°C, -22°F to 131°F
STORAGE TEMPERATURE	-30°C to 85°C, -22°F to 185°F
IP RATING	JLS-LLE-FA102/JLS-LLE-MWS105E/JLS-LLE-IFS105E/JLS-LLE-IFS108E: IP20
COLOR	White
WARRANTY	5 Years
COMPLIANCE	UL8750, UL1376, RoSH

- Due to our continued efforts to improve our products, specifications are subject to change without notice.

ORDERING GUIDE

MODEL	-	DESCRIPTION	-	COMPATIBILITY	-	MOUNTING HEIGHT
JLS-LLE-IFS105E.A0	-	Integrated Round 12V Low Bay Sensor	-	JLS-LLE-FA102.C2	-	8-15'
				JLS-LLE-PPA102S.C1		
				JLS-LLE-PPA102S.C2		

Specifications are typical values and may change without notification

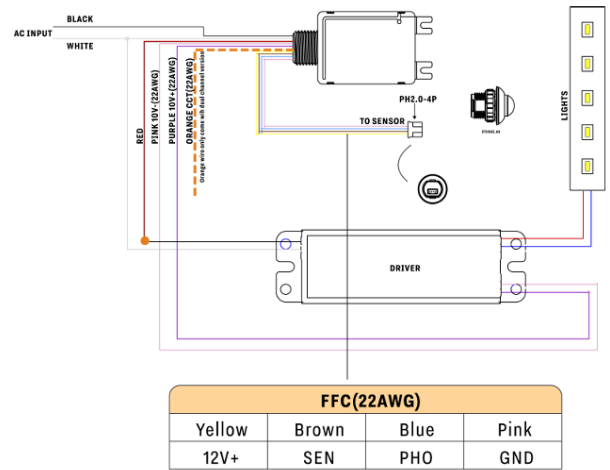
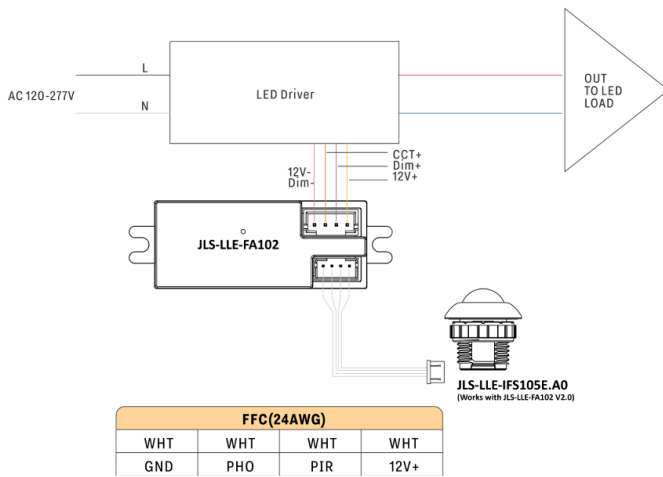


Accessory Ordering Guide

MODEL	DESCRIPTION
JLS-LLE-CC30	2468 24AWG white 300V 80°C Length: 300mm, PH2.0-4P on both side cable between adaptor and sensor
JLS-LLE-CC60	2468 24AWG white 300V 80°C Length: 600mm, PH2.0-4P on both side cable between adaptor and sensor
JLS-LLE-CC120	2468 24AWG white 300V 80°C Length: 1200mm, PH2.0-4P on both side cable between adaptor and sensor
JLS-LLE-FC30	1007 22AWG white 300V 80°C Length: 300mm, XH2.54-4P on left side cable between adaptor and driver, dip tin 10mm on right side
JLS-LLE-FC60	1007 22AWG white 300V 80°C Length: 600mm, X H2.54-4P on left side cable between adaptor and driver, dip tin 10mm on right side
JLS-LLE-RC02	Ceiling Trim Ring

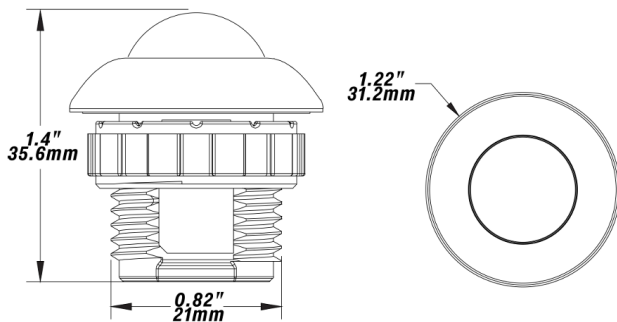
WIRING

JLS-LLE-FA102.C2

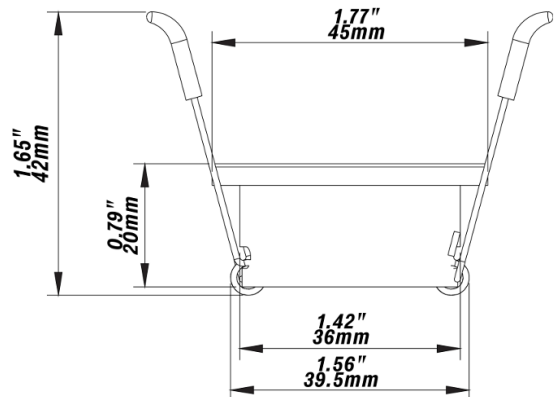


DIMENSIONS

JLS-LLE-IFS105E



JLS-LLE-RC02

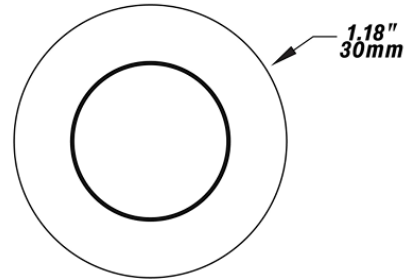
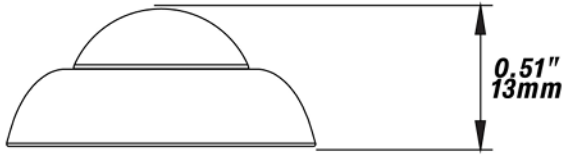


Specifications are typical values and may change without notification

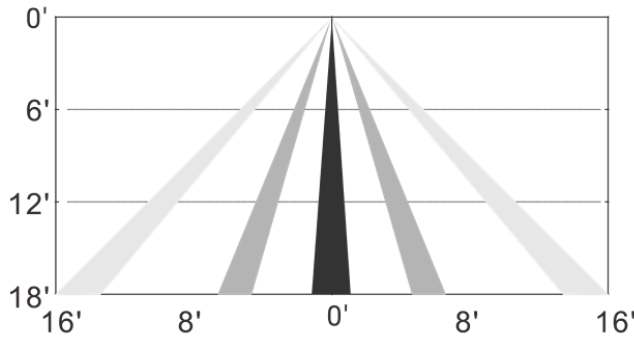


COVERAGE (Unit: inch/mm)

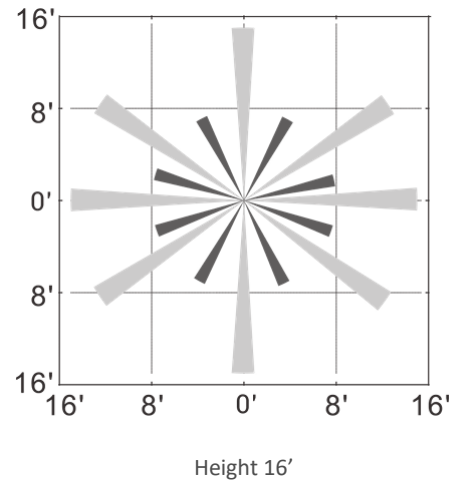
JLS-LLE-LBL2



Coverage Side View



Coverage Top View



- The Bluetooth word mark and logos are registered trademarks owned by Bluetooth SIG, Inc. and any use of such marks by LumaLinX is under license. Other trademarks and trade names are those of their respective owners.

APP DOWNLOAD



Specifications are typical values and may change without notification