



## ADVANCED MR16 LED LAMP

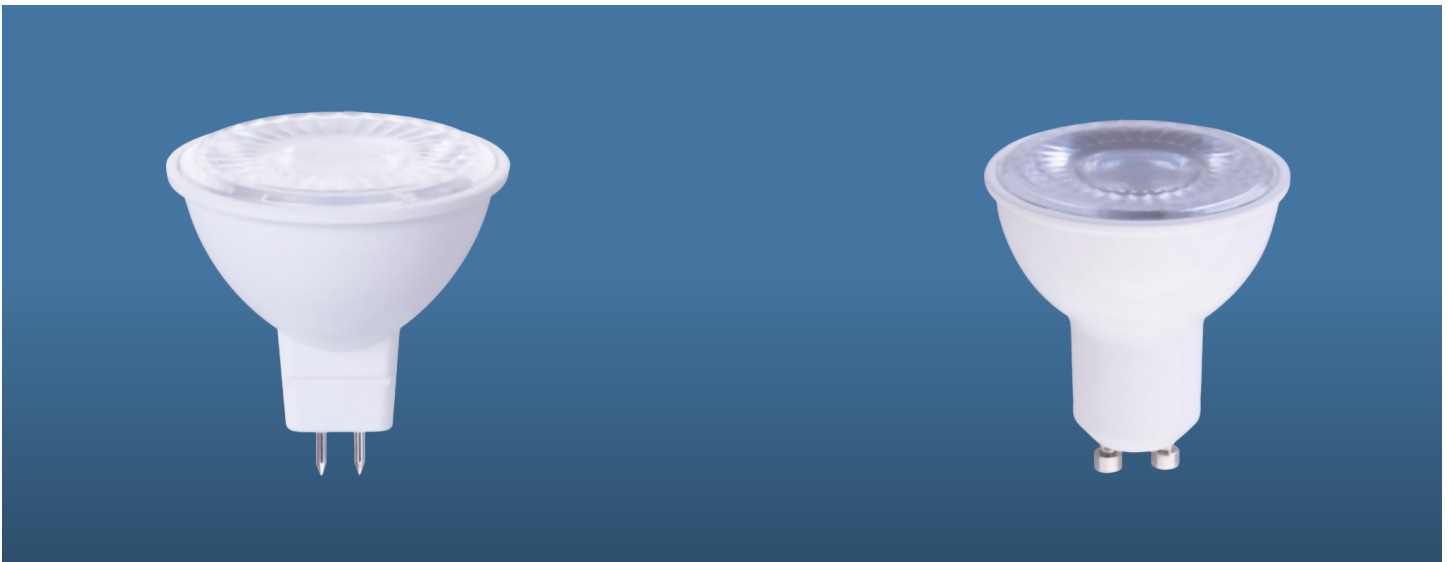
### DESCRIPTION

The Advanced LED MR16 lamp is a high-performance retrofit solution designed to replace traditional halogen MR16 lamps in accent, task, and display lighting applications. Engineered for precision optics, superior color quality, and consistent beam control, this lamp delivers enhanced visual performance while significantly reducing energy consumption and maintenance.

Optimized for directional lighting, the LED MR16 is ideal for applications requiring tight beam control, high center beam candlepower (CBCP), and excellent color rendering.

### FEATURES

- Up to 80% less energy than halogen alternatives.
- Exceeds all in industry performance requirements.
- Designed for 25,000 hours.
- Very low heat generation.
- Excellent Color consistency and high color rendering (CRI).
- Warranty: 5 Years.



Revised 5/11/2026

*Specifications are typical values and may change without notification*



## SPECIFICATIONS

| MODEL                 | JLS-MR16-4.5                  | JLS-MR16-7 |
|-----------------------|-------------------------------|------------|
| WATTAGE               | 4.5W                          | 7W         |
| INPUT VOLTAGE         | 120VAC/12VDC                  |            |
| BEAM ANGLE            | 120°                          |            |
| WARRANTY              | 5 Years, 10 Year Option       |            |
| EFFICACY              | >70 Lm/W                      | >78 Lm/W   |
| LUMENS                | 315                           | 550        |
| PF                    | >0.7                          |            |
| THD                   | <140%                         |            |
| CRI                   | >80                           |            |
| ENVIRONMENT           | Indoor                        |            |
| OPERATING TEMPERATURE | -20°C to 40°C                 |            |
| HOUSING MATERIAL      | Plastic and Aluminum          |            |
| CCT                   | 2700K/3000K/3500K/4000K/5000K |            |
| DIMMING               | Phase-cut dimming @120VAC     |            |
| LIFE (L70)            | 25,000+ Hours                 |            |
| DIMENSIONS (W X H)    | 50mm*54mm                     |            |
| FCC                   | FCC 47 CFR Part 15 Compliance |            |
| CERTIFICATIONS        | UL/ ROHS                      |            |
| ENVIRONMENT           | Indoor                        |            |

## ORDERING GUIDE

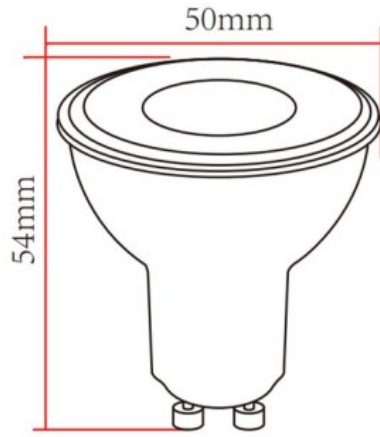
## EXAMPLE JLS-MR16-7-840K-GU10

| MODEL | - | TYPE             | - | WATTAGE              | - | CCT  | - | LAMP BASE  |
|-------|---|------------------|---|----------------------|---|--|---|--|
| JLS   |   | MR16 = MR16 Lamp |   | 4.5 = 4.5W<br>7 = 7W |   | 827K = 2700K<br>830K = 3000K<br>835K = 3500K<br>840K = 4000K<br>850K = 5000K |   | GU10 = GU10 Base<br><br>GU5.3 = GU5.3 Base *<br><br>* DC12V only |

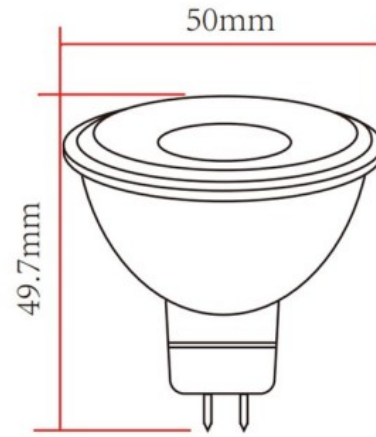
*Specifications are typical values and may change without notification*



**DIMENSIONS**



GU10 BASE



GU5.3 BASE

**COMPATIBLE DIMMER LIST**

| NO. | BRAND    | MODEL NUMBER             | INTERFACE     |
|-----|----------|--------------------------|---------------|
| 1   | LUTRON   | MACL-153M-WH             | Phase Cut Dim |
| 2   | LUTRON   | DVCL-153P-WH             | Phase Cut Dim |
| 3   | OLEGRAND | RHCL453PW                | Phase Cut Dim |
| 4   | LEVITON  | LIGH ALMOND NO.6672 600W | Phase Cut Dim |
| 5   | LEVITON  | WHITE NO.IPL06 600W      | Phase Cut Dim |
| 6   | LUTRON   | MACL-153MH-WH            | Phase Cut Dim |
| 7   | LUTRON   | TGCL-153P-WH             | Phase Cut Dim |
| 8   | LUTRON   | DVCL-153PR-WH            | Phase Cut Dim |
| 9   | LUTRON   | CTCL-153PDH-WH           | Phase Cut Dim |

*Specifications are typical values and may change without notification*