

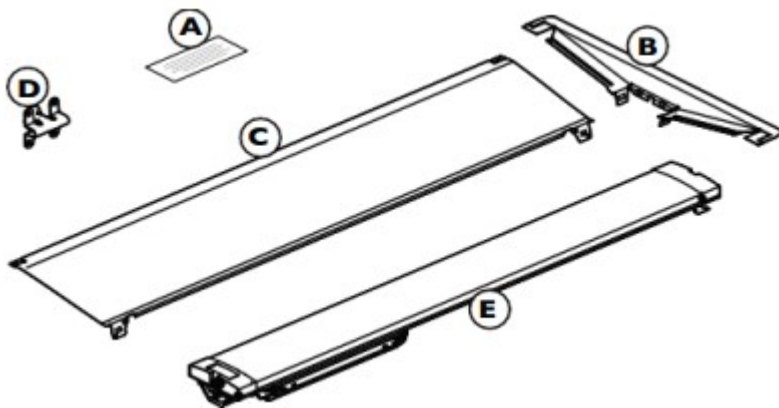


Installation Instruction for G4 Troffer Retrofit Kit (For 2X2/2X4/1X4 size)



JLS-G4TRF Models are designed to easily install compatible sensors in the field. A small cut-out in the G4TRF End Cap is provided for mounting the sensor bracket and sensor. Each G4TRF SR is supplied with a cover plate over this cutout. This cover plate (which is discarded after sensor installation) holds two control wires which are connected to the sensor. The sensor bracket and sensor can be installed in the End Cap before or after installing the Light Engine.

Set contains



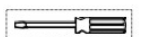
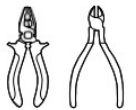
A Troffer Label

B Side Panel

C Closing Panel

D Quarter Turn Fastener

E Light Engine



Revised 5/8/2026

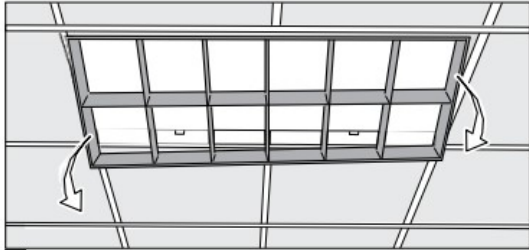
Specifications are typical values and may change without notification



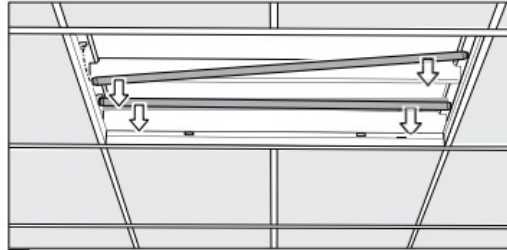
Remove Host Fixture Contents (A)



RISK OF FIRE, ELECTRIC SHOCK OR PERSONAL INJURY
Before installation, turn power off.



1 Turn power off and remove original cover.



2 Remove Fluorescent tubes.

RISK OF FIRE, ELECTRIC SHOCK OR PERSONAL INJURY

Do not install in a damaged fixture. Install the G4TRF only in NEMA type G or Type NFG t-grids with a minimum troffer depth of 3". Before installation, turn power off.

RISK OF FIRE, ELECTRIC SHOCK Luminaire wiring and electrical parts may be damaged when drilling for installation of LED retrofit kit. Check for enclosed wiring and components.

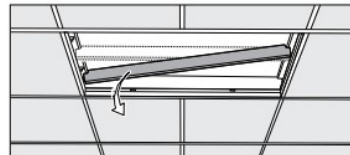
FAILURE TO FOLLOW THESE INSTRUCTIONS AND WARNINGS MAY RESULT IN SERIOUS INJURY OR SIGNIFICANT PROPERTY DAMAGE

For your protection, carefully read these warnings and instructions in their entirety before installing or maintaining this equipment. These instructions do not attempt to cover all installation and maintenance situations. If you do not understand these instructions or if additional information is required, contact your local Jaykal representative. Retain these instructions for maintenance reference.

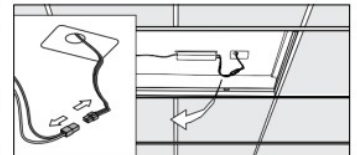
RISK OF FIRE, ELECTRIC SHOCK The G4TRF must be installed and maintained by a professional electrician in accordance with the applicable federal, state and local laws, regulations and electrical codes, and the installation instructions provided in this document. This professional should be familiar with the construction and operation of this product and any hazards involved. If not qualified, do not attempt installation. Contact a qualified electrician.

RISK OF PERSONAL INJURY This equipment may have sharp edges. Wear gloves to prevent cuts or abrasions when removing from carton, handling and maintaining this equipment.

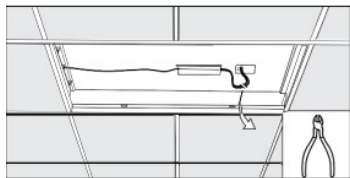
RISK OF FIRE, ELECTRIC SHOCK To prevent wiring damage or abrasion, do not expose wiring to edges of sheet metal or other sharp objects.



3 Remove belly pan. If remaining troffer height is limited, remove ballast.



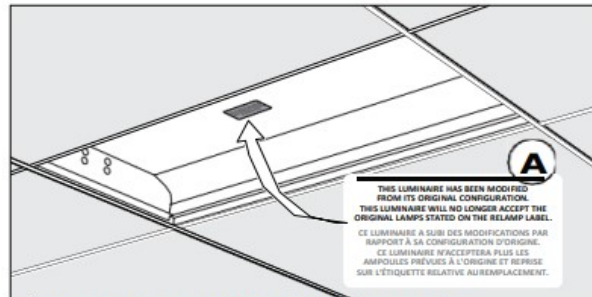
4 Disconnect host fixture ballast from mains.



5 Place Troffer Label (A) inside original troffer.

Notice

Make sure to remove packaging from G4TRF components before installing. Do not install with total power input greater than power rating of original fixture. When space in the troffer is limited, remove original ballast.



THIS LUMINAIRE HAS BEEN MODIFIED FROM ITS ORIGINAL CONFIGURATION. THIS LUMINAIRE WILL NO LONGER ACCEPT THE ORIGINAL LAMPS STATED ON THE RELAMP LABEL.

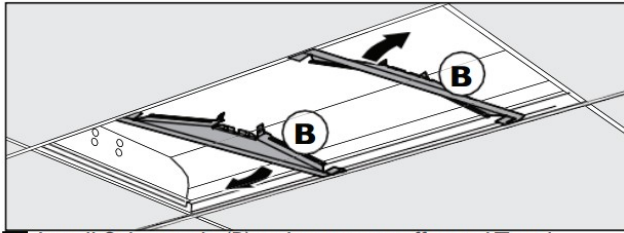
Notice

It is imperative to apply the retrofit warning sticker included with the product in order to alert the end user that this luminaire will no longer operate on the originally intended lamps.

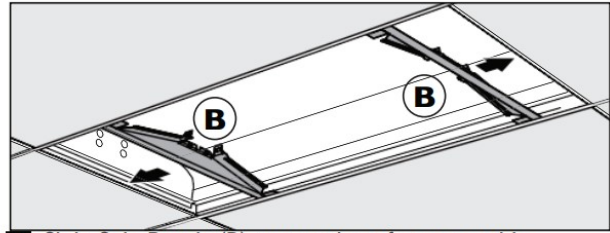
Specifications are typical values and may change without notification



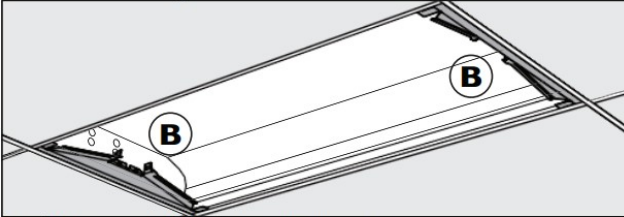
Installation of Side Panels (B)



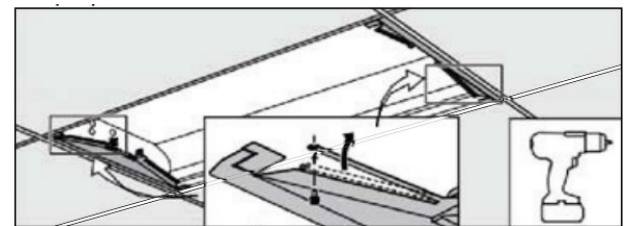
6 Install Side panels (B) in-between troffer and T-grid.



7 Slide Side Panels (B) outwards as far as possible.



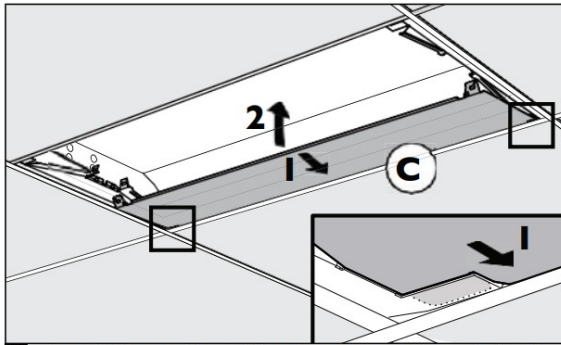
7a Side panels (B) in their final position.



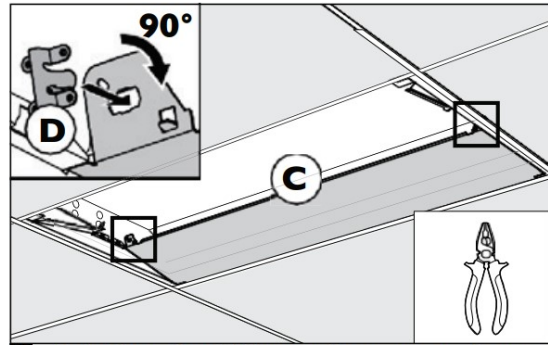
7b G4TRF end panels come with integrated securement tabs. Securement tabs can be affixed to existing troffer housing with self tapping screws (not provided). Additional earthquake tabs can be purchased if required.



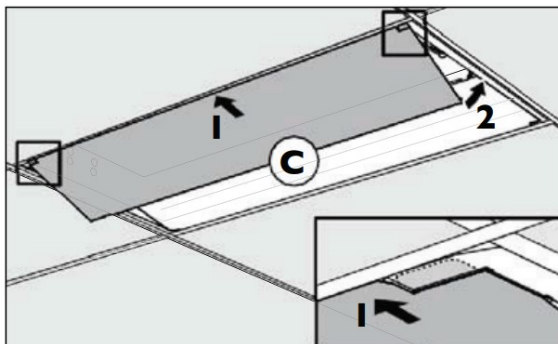
Installation Closing Panel (C)



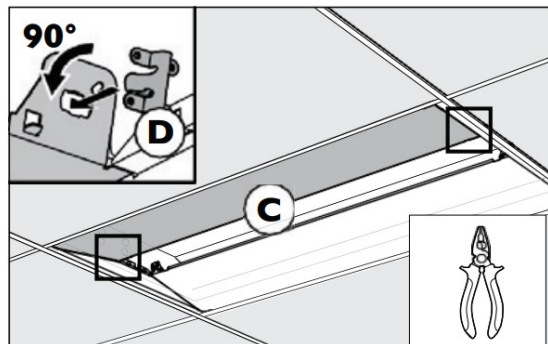
8 Install Closing Panel (C) in between troffer and T-grid, making sure the tabs at each corner of the LED panel slide into the respective slots on the side panel.



9 Push Closing Panel (C) upward into position. Secure panels and establish ground by turning each fastener (D) 90 degrees.

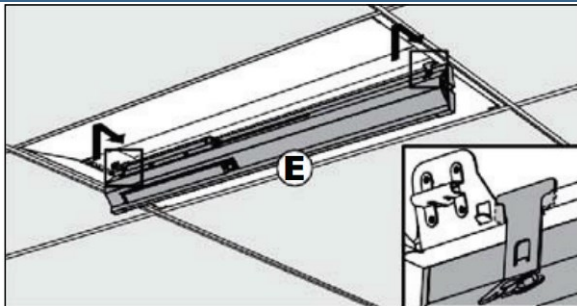


10 Install Closing Panel (C) in between troffer and T-grid, making sure the tabs at each corner of the Closing Panel slide into the respective slots on the side panel.



11 Push Closing Panel (C) upward into position until tab engages into slot to temporarily secure. Fixate panels and establish ground by turning each fastener (D) 90 degrees.

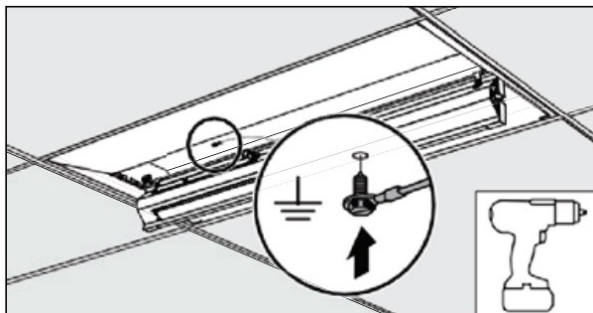
Final Installation Light Engine (E)



12 Maneuver the Light Engine (E) in the slots of one of the two Closing Panels (C). The design of the Closing Panel (C) prevents the Light Engine (E) of falling out during electrical and ground connection (see detail).

RISK OF FIRE, ELECTRIC SHOCK

While installing the Light Engine (E) and Closing Panel (C), make sure the electrical wiring is not pinched between panels.



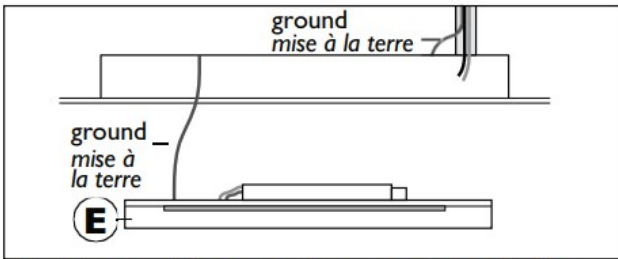
RISK OF PERSONAL INJURY

Proper grounding of G4TRF metal parts is required to ensure personal safety.

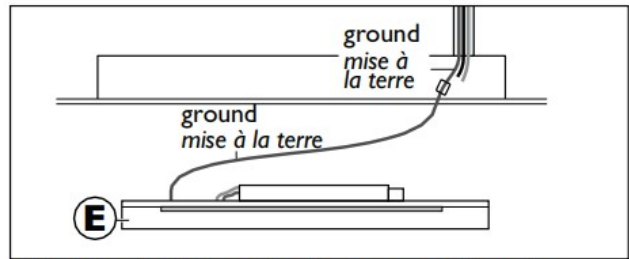
Notice

Establish new electrical connections to the mains via connectors that can be used in accordance with applicable federal, state, and local laws and electrical codes.

Specifications are typical values and may change without notification

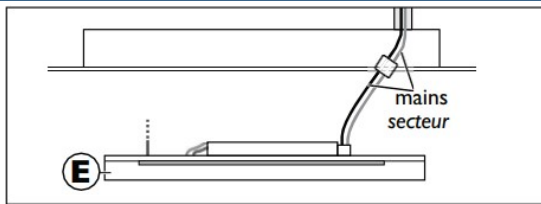


13a Situation 1 Grounding: Screw grounding cable from Light engine (E) to original troffer if host fixture ground connection is made through host fixture.



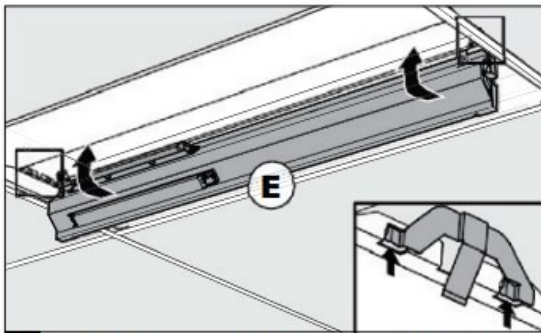
13b Situation 2 Grounding: Connect to the incoming ground lead from conduit.

Mains connection

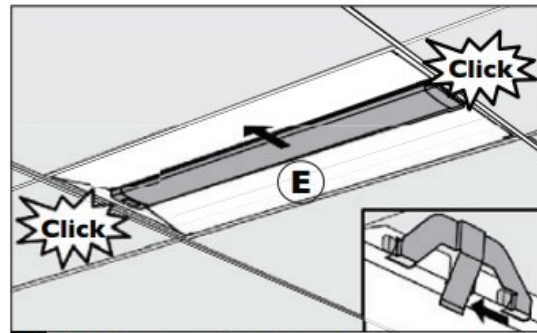


14 Connect main cables and hide connected wires behind Light engine (E).

Final Installation Light Engine (E)

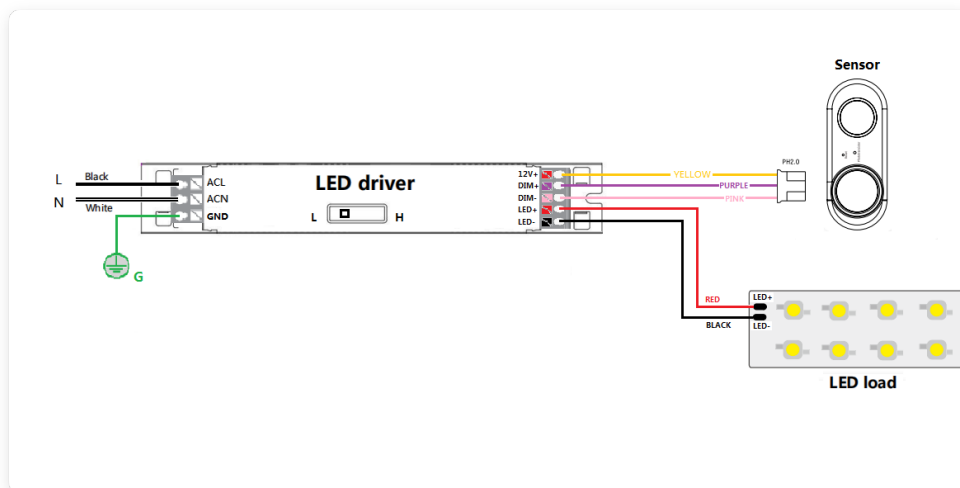


15 Rotate the light engine (E) upwards and forward into position, making sure the tabs at each end of the Light Engine slide into the respective slots on the side panel.



16 Move Light engine (E) slightly towards you until the springs at each end of the light engine "Click" into position.

Wiring Diagram of G4TRF Retrofit Kit



Specifications are typical values and may change without notification