



SENSOR READY G3WRAP-S LUMINAIRE

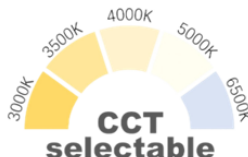
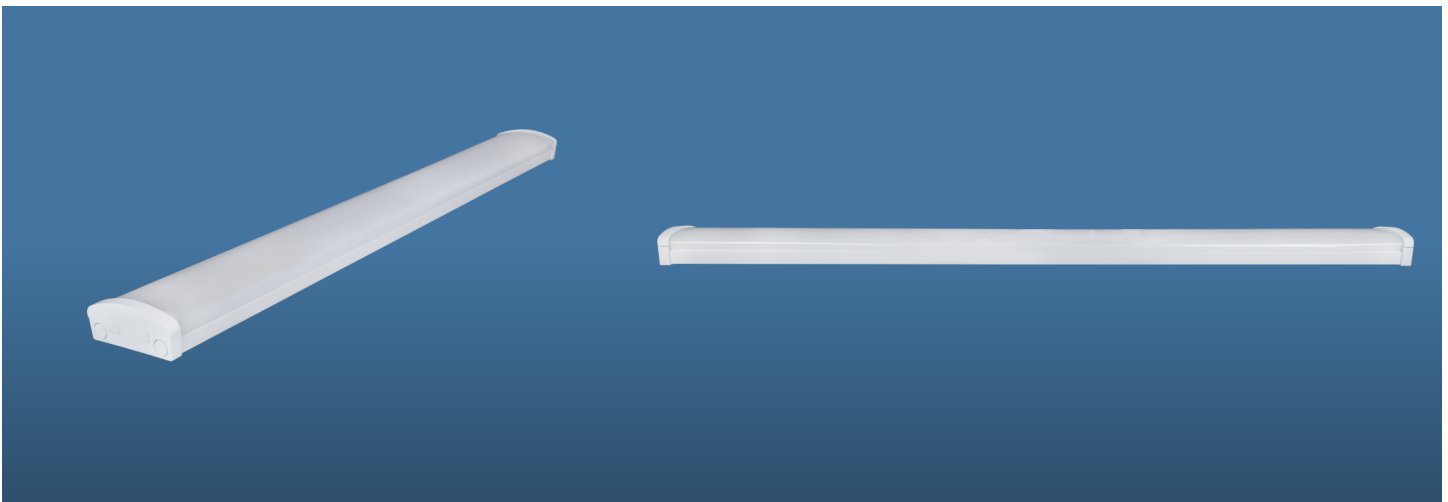
DESCRIPTION

Jaykal's new sensor ready design enables sensors to be installed by simply plugging in the sensor. If no controls are needed now, they may be added later, with a simple plugging installation. The fixture is suitable for commercial and retail applications.

Wattage and color selectability is standard, allowing field tuning to meet changing project requirements. It features four wattage presets and five color presets and is DLC listed.

FEATURES

- Available in 12W to 38W Mul-Wattage Driver
- CCT: 3000K/3500K/4000K/5000K/6500K Selectable
- 150 lm/W
- 0-10V Dimming
- 5 Year Standard Warranty

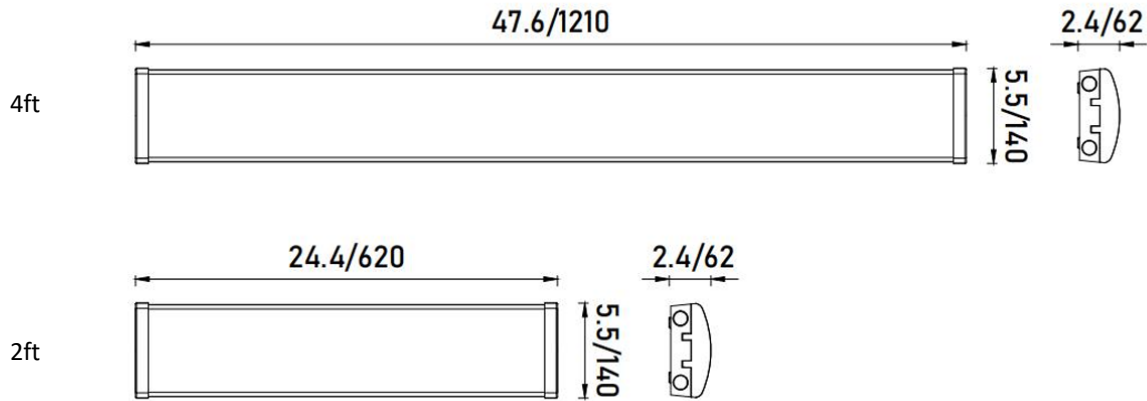


Revised 5/20/2026

Specifications are typical values and may change without notification



DIMENSIONS (Unit : mm/Inch)



ORDERING GUIDE

MODEL	SIZE	WATTAGE	CCT	EMERGENCY	DESIGNATION
JLS-G3WRAP-S	2 = 2FT	M1 = 12W/16W/20W/25W	8MCCT = 30K/35K/40K/50K/65K	N = None EM = Emergency Backup*	[TAA] [COM]
	4 = 4FT	M2 = 17W/24W/31W/38W			

* : Emergency option only available for 4ft

Compatible Controls Guide

BRAND	MODEL	SENSOR TYPE
LUMALINX	JLS-ESS-IFS06R	BASIC
LUMALINX	JLS-ESS-RM-51	REMOTE CONTROL PROGRAMMER
LUMALINX	JLS-LLE-IFS108.B2	NETWORK

Specifications are typical values and may change without notification