



G3VT-S VAPOR TIGHT

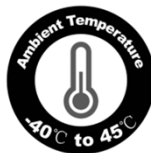
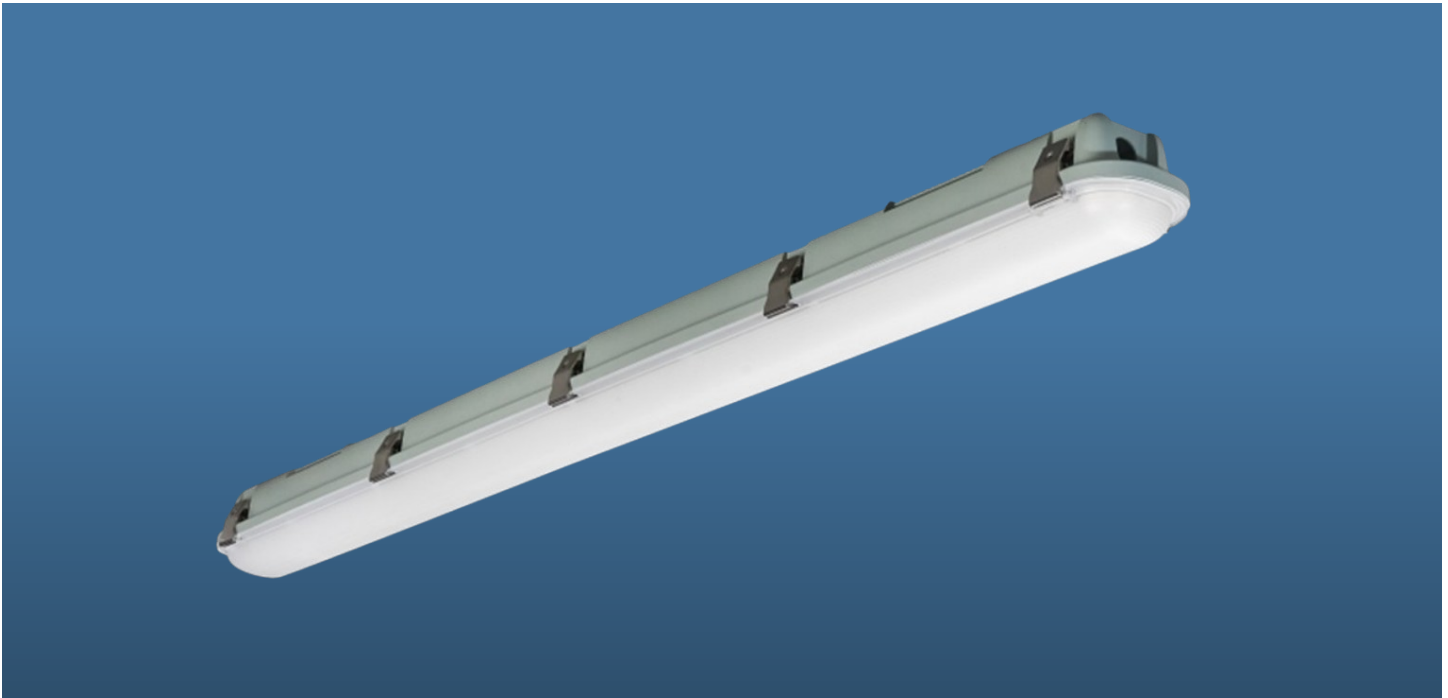
DESCRIPTION

Jaykal's new sensor ready design enables sensors to be installed by simply plugging in the sensor. If no controls are needed now, they may be added later, with a simple plugin installation. The fixture is suitable for commercial and retail applications.

Wattage and color selectability is standard, allowing field tuning to meet changing project requirements. It features three wattage presets and three color presets and is DLC listed.

FEATURES

- Wattage and CCT Adjustable
- 0-10V Dimming, Dim to Off
- 150 lm/W
- Sensor Ready
- Emergency Backup optional



Revised 5/20/2026

Specifications are typical values and may change without notification



SPECIFICATIONS

MODEL	JLS-G3VT SERIES (SENSOR-READY)		
LENGTH	2FT	4FT	8FT
WATTAGE TYPE	M1	M2	M3
WATTAGE	17W/21W/26W	26W/34W/40W	52W/68W/80W
VOLTAGE	120-277VAC 50/60HZ		
EFFICACY@40K	150lm/W		
LUMENS	2,550/3,150/3,900lm	3,900/5,100/6,000lm	7,800/10,200/12,000lm
POWER FACTOR	>0.90		
PROTECTION	Integral short circuit, open circuit, and overload protection		
0-10V SINK CURRENT	<3mA		
CRI	>80		
BEAM ANGLE	120°		
L70 HOURS	>100,000		
CCT	MCCT (3500K/4000K/5000K Selectable)		
OPERATING TEMP.	-40°C (-40°F) to 45°C (113°F)		
STORAGE TEMP.	-40°C (-40°F) to 70°C (158°F)		
HOUSING	Light gray Polycarbonate housing with stainless steel latches. Frosted polycarbonate lens		
IP RATING	IP66		
FCC	FCC 47 CFR Part 15 Compliance		
WARRANTY	5 Year Standard / 10 Year Optional		

ORDERING GUIDE

MODEL	SIZE	WATTAGE	CCT	EM
JLS-G3VT	2 = 2FT.	M1 = 17W/21W/26W	8MCCT = 3500K/4000K/5000K	N = None EM = Emergency Backup
	4 = 4FT.	M2 = 26W/34W/40W		
	8 = 8FT.	M3 = 56W/68W/80W		

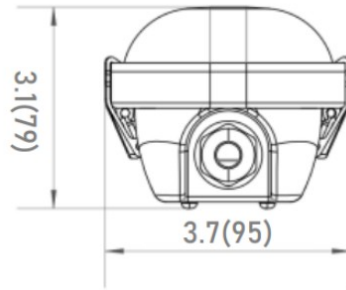
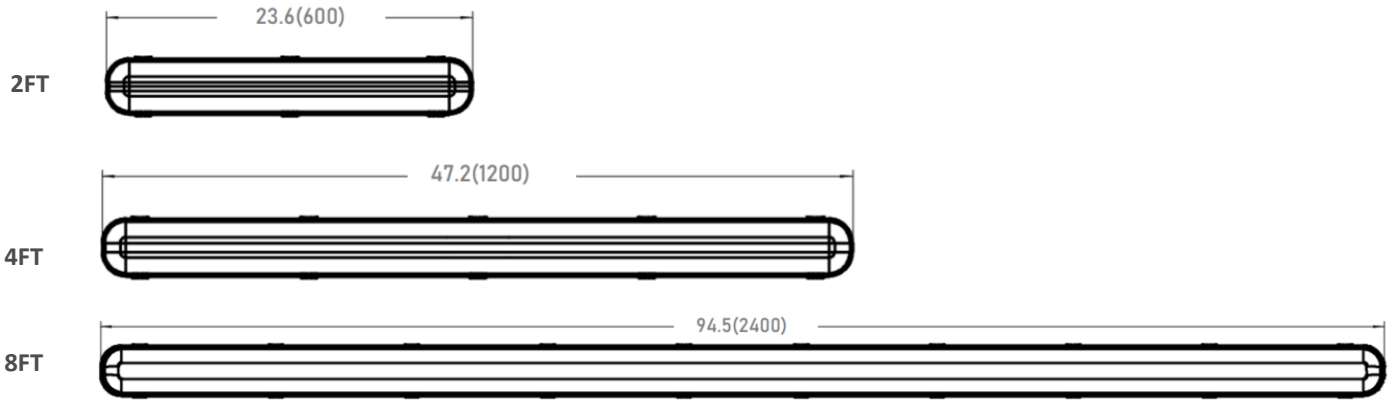
Compatible Controls Guide

BRAND	MODEL	SENSOR TYPE
LUMALINX	JLS-ESS-IFS08ET	ESSENTIAL
LUMALINX	JLS-ESS-RM51	REMOTE CONTROL PROGRAMMER
LUMALINX	JLS-LLE-EFS106-AUX.B1	BLUETOOTH
LUMALINX	JLS-LLE-WPPA102.AUX.B1	CONTROLLER NODE
LUMALINX	JLS-LLE-SC02-AUX	3.5mm 90° EXTERNAL ADAPTER

Specifications are typical values and may change without notification



DIMENSIONS (Units: mm/in.)



Width and Height

Specifications are typical values and may change without notification