



**ADVANCED LED WALL PACK**

**DESCRIPTION**

The Jaykal G3SWP is a compact architectural wall pack designed for decorative and functional exterior lighting applications. The fixture features a wall-mounted design with one-way light distribution, delivering controlled illumination with excellent uniformity.

Constructed with a durable die-cast aluminum housing and finished with an anti-UV powder-coated surface, the G2SWP provides superior corrosion resistance and long-term outdoor performance. Precision optical design ensures high light utilization while maintaining visual comfort.

A built-in dusk-to-dawn photocell sensor enables automatic operation, turning the fixture ON at night and OFF during daylight hours. The G2SWP is ideal for public and residential low-rise buildings, including building perimeters, walkways, and facade lighting.

**FEATURES**

- High luminous efficiency and long working life.
- High efficiency LED Driver, the wide range input voltage AC120-277V.
- Die-cast aluminum cooling design, high quality and better cooling for LED  $T_j < 85^{\circ}\text{C}$ .
- Excellent optics design, greatly improve the light utilization and evenness.
- Photocell control available
- TAA Available



Revised 5/20/2026

*Specifications are typical values and may change without notification*



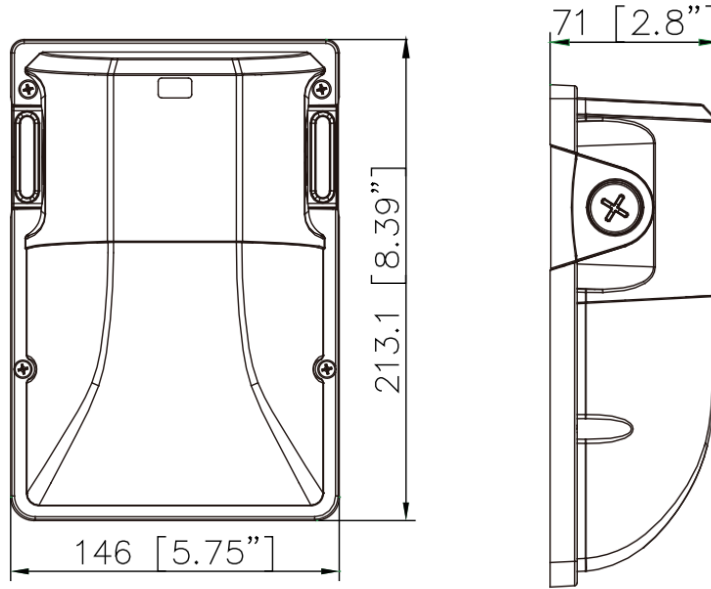
SPECIFICATIONS	
MODEL	<b>JLS-G3SWP</b>
INPUT VOLTAGE	AC120-277V 50/60HZ
WATTAGE	30W/25W/18W
DISTRIBUTION	Semi-Cutoff
BUG RATING	B1-U3-G3
EFFICACY	135lm/W
LUMEN	4,050/3,375/2,430lm
L70 HOURS	Over 50,000hrs.
POWER FACTOR	0.95
DRIVER EFFICACY	90%
DIMMING	0-10Vdc
DIMMING SINK CURRENT	<3mA
FLICKER RATE	<30%
CRI	Ra70
CCT	3000K/4000K/5000K Selectable
WORKING TEMPERATURE	-40°C~45°C
STORAGE TEMPERATURE	-40°C~80°C
OUTDOOR RATING	Wet Location/IP65
CABLE	5 core, 18AWG 0.16m
PROTECTION	Integral short circuit, Open circuit, and Overload protection
SURGE PROTECTION	L/N-PE 4kV; L-N 2kV
FCC	FCC 47 CFR Part 15 Compliance
WARRANTY	5 Year Standard / 10 Year Optional

ORDERING GUIDE		EXAMPLE : JLS-G3SWP-M1-7MCCT-PC					
MODEL	-	WATT	-	CCT	-	OPTIONS	DESIGNATION
JLS-G3SWP		M1 = 18W/25W/30W		7MCCT = 3000K/4000K/5000K		N = No option PC = Photocell	[TAA] [COM]

*Specifications are typical values and may change without notification*

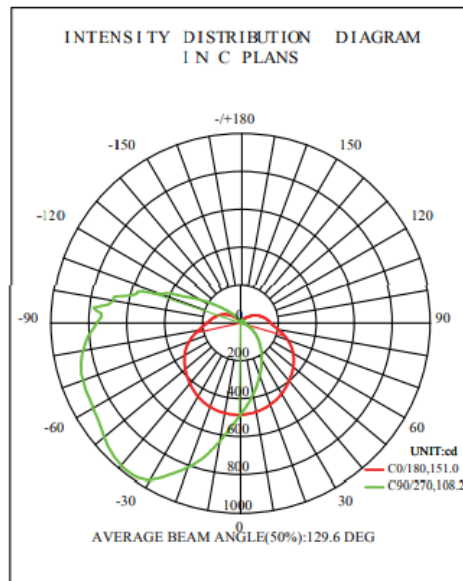


**DIMENSIONS (Units: mm/in.)**



MODEL	INDIVIDUAL BOX	WATTAGE	CARTON	NET WEIGHT	GROSS WEIGHT	QTY./CTN.
JLS-G3SWP	8.78L*5.98W*3.15H in. 23L*152W*80H mm	30W/25W/18W	16.92L*12.91W*18.5H in. 430L*328W*470H mm	35.27 Lbs. (16 Kg)	37.14 Lbs. (16.85 Kg)	20pcs/ctn.

**LIGHT DISTRIBUTION**



*Specifications are typical values and may change without notification*