



**STRIP FIXTURE G3STR-T SERIES / SENSOR READY**

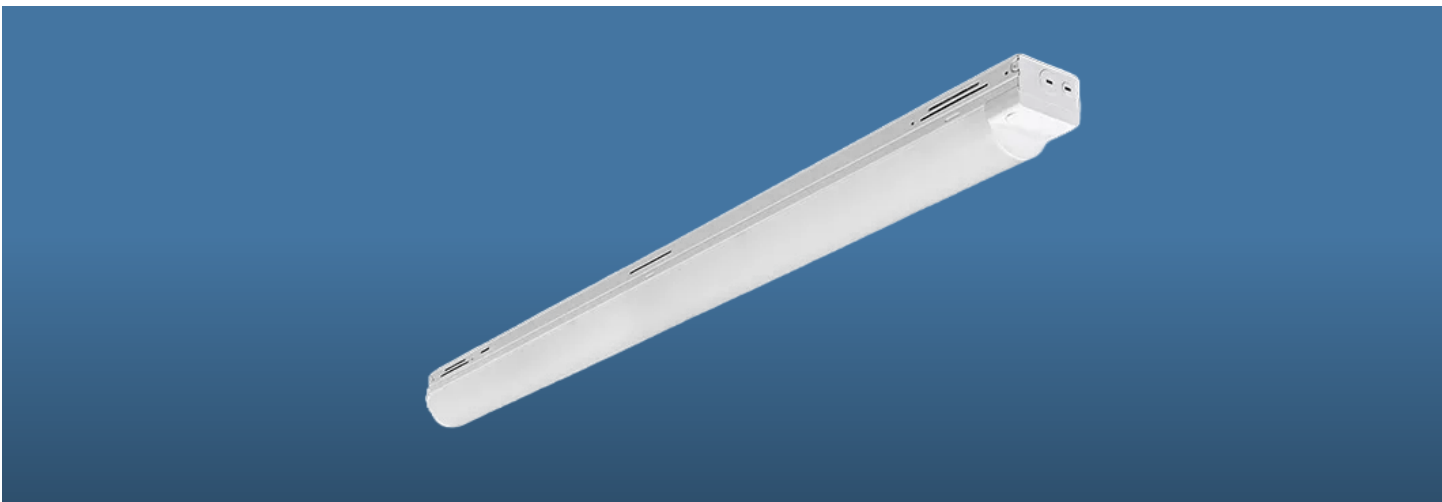
**PRODUCT DESCRIPTION**

Jaykal’s new sensor ready design enables sensors to be installed by simply plugging in the sensor. If no controls are needed now, they may be added later, with a simple plugin installation. The fixture is suitable for commercial and retail applications.

Wattage and color selectability is standard, allowing field tuning to meet changing project requirements. It features four wattage presets and five color presets and is DLC listed.

**FEATURES**

- Wattage and CCT Selectable
- CCT: 3000K/3500K/4000K/5000K/6500K Selectable
- 150lm/W
- 0-10V Dimming, Dim to Off
- Sensor Ready



Revised 5/20/2026

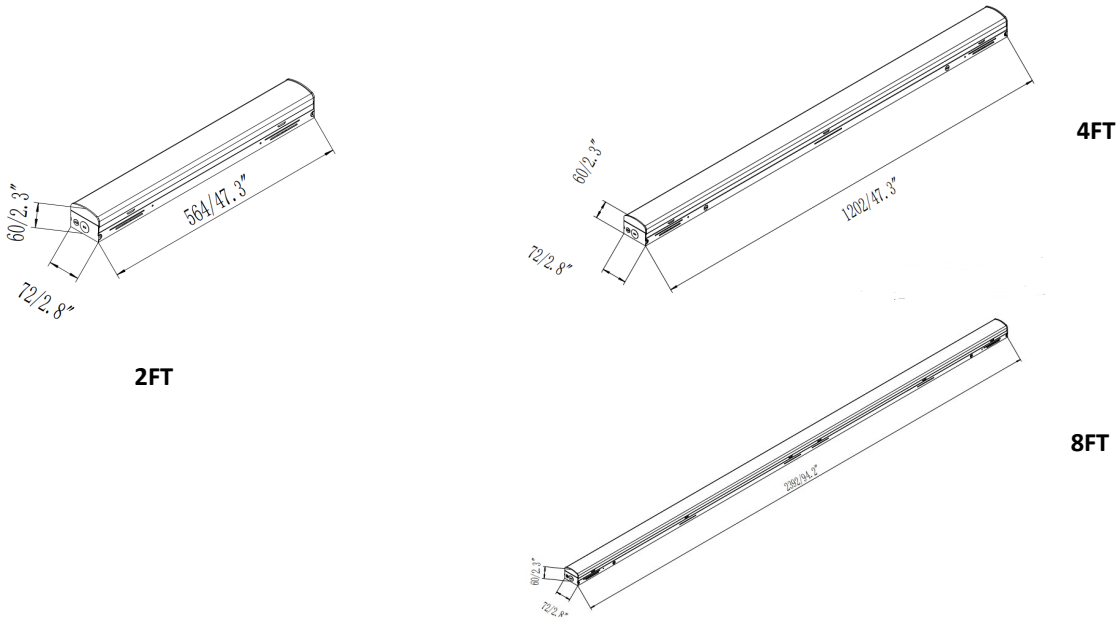
*Specifications are typical values and may change without notification*



**SPECIFICATIONS**

<b>MODELS</b>	<b>JLS-G3STR-T</b>			
<b>INPUT VOLTAGE</b>	120-277VAC 50/60Hz			
<b>LENGTHS</b>	2FT	4FT	8FT	
<b>WATTAGE TYPE</b>	M1	M2	M3	M4
<b>WATTAGE</b>	13W/17W/21W/26W	21W/26W/34W/40W	40W/47W/53W/68W	47W/53W/68W/80W
<b>EFFICACY</b>	150lm/W			
<b>LUMENS</b>	1,950/2,550/3,150/3,900lm	3,150/3,900/5,100/6,000lm	6,000/7,050/7,950/10,200lm	7,050/7,950/10,200/12,000lm
<b>L70 HOURS</b>	100,000 hrs. +			
<b>POWER FACTOR</b>	>0.9			
<b>DIMMING</b>	0-10V dimming			
<b>PROTECTION</b>	Integral short circuit, open circuit, and overload protection			
<b>THD</b>	<20%			
<b>CRI</b>	>80			
<b>CCT</b>	MCCT (3000K/3500K/4000K/5000K/6500K Selectable)			
<b>OPER. TEMP.</b>	-20°C (-4°F) - 50°C (122°F)			
<b>STORAGE TEMP.</b>	-20°C (-4°F) - 70°C (158°F)			
<b>HOUSING</b>	Sheet Metal Stamping			
<b>UL RATING</b>	Damp Location			
<b>FCC</b>	FCC 47 CFR Part 15 Compliance			
<b>WARRANTY</b>	5 Year Standard / 10 Year Optional			

**DIMENSIONS (Unit : mm/Inch)**



*Specifications are typical values and may change without notification*



**ORDERING GUIDE**

MODEL	SIZE	WATTAGE	CCT	EM	DESIGNATION
JLS-G3STR-T	2 = 2FT	M1 = 13W/17W/21W/26W	8MCCT = 30K/35K/40K/50K/65K	N = None EM = 8W Integrated	[TAA] [COM]
	4 = 4FT	M2 = 21W/26W/34W/40W			
	8 = 8FT	M3 = 40W/47W/53W/68W M4 = 47W/53W/68W/80W			

**Accessories (SOLD SEPARATELY)**

**MOUNTING OPTIONS**

DESCRIPTION	MODEL NUMBER
Surface Mounting Kit	JLS-G3STR-T-SM
Cable Suspension Mounting Kit	JLS-G3STR-T-CS
V-Hooks & Chain Mounting Kit	JLS-G3STR-T-CM
Row Connector	JLS-G3STR-T-RC
Right Angle Connector Kit	JLS-G3STR-T-RA

**Compatible Controls Guide**

BRAND	MODEL	SENSOR TYPE
LUMALINX	JLS-ESS-IFS06R	BASIC
LUMALINX	JLS-ESS-RM-51	REMOTE CONTROL PROGRAMMER
LUMALINX	JLS-LLE-IFS108.B2	NETWORK

*Specifications are typical values and may change without notification*