



## G3 POST TOP AREA LIGHT

### DESCRIPTION

Jaykal's post top LED fixtures are sleek, energy efficient, and durable outdoor lighting solutions designed for mounting atop poles to illuminate pathways, parks, bike lanes and parking lots. Featuring die-cast aluminum, minimalist designs, and advanced optics, these fixtures provide superior uniform light distribution while reducing energy consumption and maintenance. They offer high efficiency performance with photocell control for enhanced safety.

### FEATURES

- Wattages Options: 20W - 150W Tunable
- CCT Options: 3000K/4000K/5000K Tunable
- Lumen Efficiency : 150lm/W
- 5 Year Warranty—10 Year Warranty Available
- Photocell Option Available



Revised 5/22/2026

*Specifications are typical values and may change without notification*



## SPECIFICATIONS

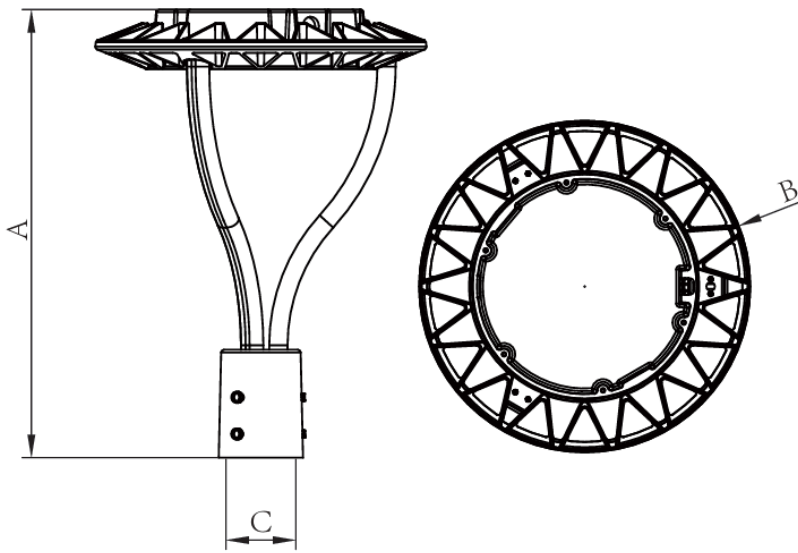
<b>MODEL</b>	G3PT Post Top Light	
<b>INPUT VOLTAGE</b>	120-277VAC 50/60Hz	
<b>TYPE</b>	M1	M2
<b>WATTAGE</b>	20W/30W/40W/50W/60W	70W/80W/100W/120W/150W
<b>EFFICACY</b>	150lm/W	
<b>LUMENS</b>	3,000/4,500/6,000/7,500/9,000lm	10,500/12,000/15,000/18,000/22,500lm
<b>POWER FACTOR</b>	>0.9	
<b>EFFICIENCY OF DRIVER</b>	≥90%	
<b>CLASS LEVEL OF DRIVER</b>	Class II	
<b>SPD DATA</b>	6KV	
<b>THD</b>	≤20%	
<b>CRI</b>	>70	
<b>CCT</b>	3000K/4000K/5000K Tunable	
<b>HOURS (L70)</b>	50,000+ Hours	
<b>DIMMING</b>	0-10V Dimming	
<b>OPERATIONAL TEMP.</b>	-40°C — 45°C	
<b>STORAGE TEMP.</b>	-40°C — 70°C	
<b>PROTECTION</b>	Integral short circuit, open circuit, and overload protection	
<b>SURGE PROTECTION</b>	6KV (10KV available)	
<b>FINISH</b>	Powder Coat	
<b>SUITABLE POLE SIZES</b>	3.0 inch (φ 76mm)	
<b>BEAM ANGLE</b>	90°	
<b>PROTECTION</b>	IP65 Outdoor and Wet Locations	
<b>CERTIFICATION</b>	ETL/DLC/Comply with FCC	
<b>FCC</b>	FCC 47 CFR Part 15 Compliance	
<b>DIMENSIONS</b>	Φ14.23 x H 19.23 inches (φ361 x H488mm)	
<b>WEIGHT</b>	4.56kg/10.05lbs	
<b>WARRANTY</b>	5 Year Standard with 10 Year Option	

*Specifications are typical values and may change without notification*



		ORDERING GUIDE			EXAMPLE: JLS-G3PT-M1-277-7MCCT-N[COM]				
MODEL	-	WATTAGE	-	VOLTAGE	-	CCT	-	CONTROLS	DESIGNATION
JLS-G3PT		M1 = 20/30/40/50/60W M2 = 70/80/100/120/150W		277 = 120-277VAC		7MCCT = 3000/4000/5000K		N = No control PC = Photocell	[TAA] [COM]

**DIMENSION (Unit : Inch)**



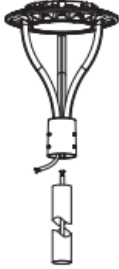
A	B	C
19.23"	14.23"	3"

*Specifications are typical values and may change without notification*

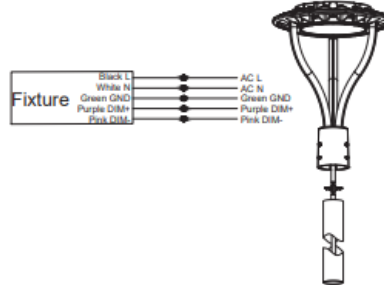


## INSTALLATION INSTRUCTIONS

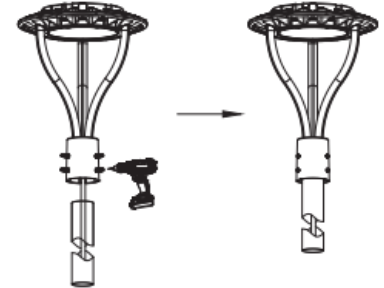
1. Pass the leads of the lights through the stem, then fix the stem with the lamp, as shown below.



2. Turn off power, and make wiring connections with terminal cap (see wiring instruction below), as shown below.

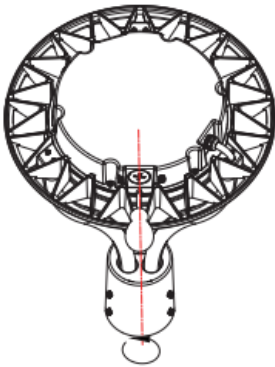


3. Pass the leads of the light through the tenon pole, then using screws to fix it, as shown below.

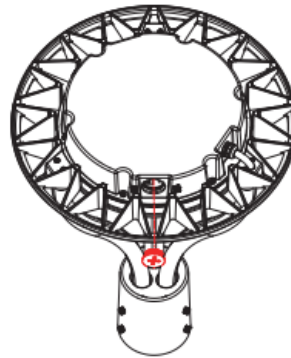


## ADJUST POWER AND COLOR TEMPERATURE INSTALLATION

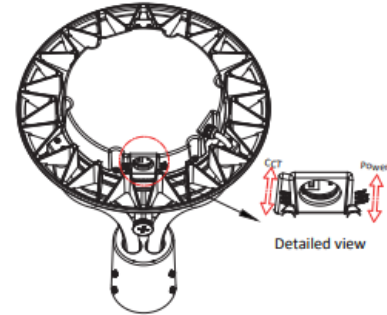
1. Use a screwdriver to remove the fixing screws, as shown below.



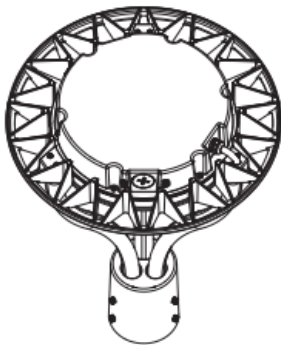
2. Remove the fixing screws and cover plate, as shown below.



3. Flip the color temperature switch to the desired color temperature, flip the power switch to the desired wattage, as shown below.

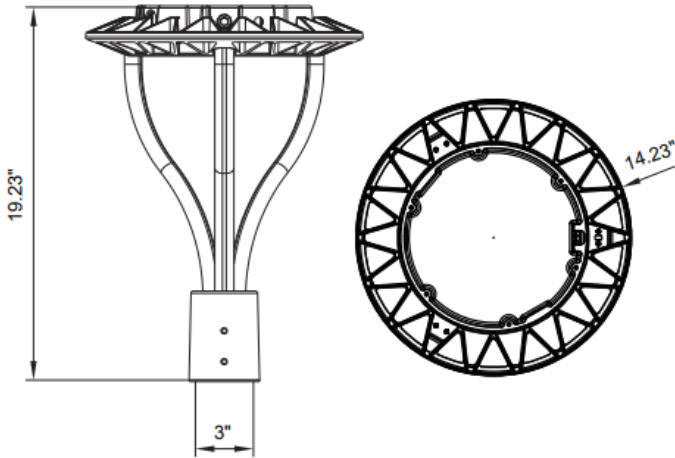


4. Restore the installation in the order of Step 21e, as shown below.





**PRODUCT DIMENSION**



**APPLICATIONS**



**SPECIFICATIONS**

Part NO.	Outer Carton Size (L×W×H)	Qty/Carton (pcs)	Net Weight (lbs/kg)	Gross Weight (lbs/kg)
JLS-G3PT	5.94" × 15.94" × 20.9"	1	10.05 lbs	11.92 lbs

**NOTE**

- 1.The installation and maintenance must be completed by electricians or professionals.
- 2.Please cut off the power before installation and maintenance.
- 3.The thermally insulating material is not allowed to cover the fixture.
- 4.Please keep away from the corrosive substance, and keep the fixture dry and clean.
- 5.Working temperature:-40°F~113°F,storage temperature: -40°F~158°F

*Specifications are typical values and may change without notification*