



G2SWP SECURITY WALL PACK

DESCRIPTION

This Mini Wall Pack combines energy efficiency, customizable lighting options, and durability, making it ideal for outdoor lighting applications where compact size and high performance are essential.

FEATURES

- Available in 12/20/30 Watt Versions
- CCT Options: 3000K/4000K/5000K
- Replaces up to 75W HID, 80W Incandescent or 36W CFL
- 5 Year Standard Warranty, 10 Year Optional
- Finish Options: Black, Custom Available
- Optional Photocell



Revised 5/6/2026

Specifications are typical values and may change without notification



SPECIFICATIONS	
MODEL	G2SWP
WATTAGE	12W/20W/30W Selectable
LUMENS	1,560/2,600/3,900
EFFICACY	130lm/W
INPUT VOLTAGE	120-277VAC 50/60Hz
POWER FACTOR	>0.9
SURGE PROTECTION	2KV
CRI	>80
CCT	3000K/4000K/5000K Selectable
LIFE(L70)	50,000+ hours
BUG RATING	B1-U3-G3
BEAM ANGLE	100°
PROTECTION	Integral short circuit, open circuit, and overload protection
SYEGE PROTECTION	L/N 2KV, L/N-G 2KV
DRIVER EFFICIENCY	≥85%
DRIVER CLASS	Class II
DIMMING	0-10V
0-10V SINK CURRENT	<1mA
OPERATING TEMP.	-30°C to +50°C
STORAGE TEMP.	-30°C to +70°C
ENVIRONMENT	Wet Locations
IP RATING	IP65
HOUSING FINISH	Bronze
LENS MATERIAL	Polycarbonate
WEIGHT	1.98 lbs./ 0.9 Kgs.
DIMENSIONS	8.19 X 5.51 X 3.54 in.
FCC	FCC 47 CFR Part 15 Compliance
SAFETY CERTIFICATIONS	ETL
WARRANTY	5 Year Standard / 10 Year Optional

ORDERING GUIDE		JLS-G2SWP-M1-MCCT-BR-PC						
MODEL	-	WATT	-	CCT	-	HOUSING	-	OPTIONS
JLS-G2SWP	-	M1 = 12W/20W/30W	-	MCCT = 3000K/4000K/5000K	-	BR = Bronze	-	N = No option PC = Photocell

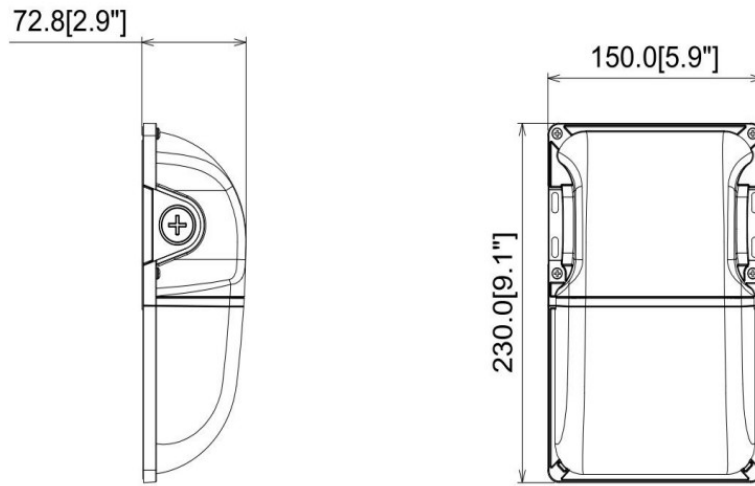
Specifications are typical values and may change without notification



JAYKAL
efficiency. illuminated

G2SWP SECURITY WALL PACK

DIMENSIONS (Unit : mm/Inch)



Specifications are typical values and may change without notification

efficiency. illuminated.