



FORWARD THROW WALL PACK

DESCRIPTION

Jaykal's LED Forward Throw Wall Pack is a high-performance exterior luminaire engineered to deliver precise, forward-directed illumination for enhanced perimeter, pathway, and building facade lighting.

Utilizing advanced LED optics, the fixture provides optimized forward light distribution while minimizing backlight, uplight, and glare (BUG), supporting compliance with light trespass regulations.

Designed to improve visibility and site security, this luminaire offers reliable, energy-efficient performance in demanding outdoor environments, making it ideal for commercial, industrial, and institutional applications.

FEATURES

- Wattage Selectable: From 45W to 120W
- CCT Selectable: 3000K/4000K/5000K
- 0-10V Dimming Standard
- Photocell Optional
- Motion Sensor Optional
- EM backup optional
- TAA Available



Revised 4/15/2026

Specifications are typical values and may change without notification



SPECIFICATIONS

SPECIFICATIONS	JLS-G5FT	
INPUT VOLTAGE	120-277VAC 50-60HZ / 277-480VAC 50-60HZ	
TYPE	M1	M2
WATTAGE	45W/60W/80W	90W/100W/120W
EFFICACY	140lm/W	
LUMENS	6,300lm/8,400lm/11,200lm	12,600lm/14,000lm/16,800lm
BUG RATINGS	B3-U3-G3	B2-U5-G5
POWER FACTOR	>0.9	
THD	≤20%	
CRI	>70	
CCT PRESETS	3000K/4000K/5000K Selectable	
DIMMING TYPE	0-10V	
DIMMING SINK CURRENT	<5mA	
HOURS (L70)	50,000+ Hours	
OPERATIONAL TEMP.	-40°C to 45°C	
DRIVER PROTECTION	Integral short circuit, open circuit, and overload protection	
SURGE PROTECTION	6KV Standard / 10KV or 20KV optional	
HOUSING MATERIAL	Aluminum Die-Casting	
PROTECTION	Wet Locations (IP65)	
CERTIFICATION	UL/DLC	
FCC	FCC 47 CFR Part 15 Compliance	
WARRANTY	5 Year Standard / 10 Year Optional	

ORDERING GUIDE

EXAMPLE: JLS-G5FT-M1-277-7MCCT-PC

MODEL	-	WATTAGE	-	VOLTAGE	-	CCT	-	OPTIONS	DESIGNATION
JLS-G5FT		M1 = 45/60/80W M2 = 90/100W/120W		277 = 120-277VAC 480 = 277-480VAC		7MCCT = 3000K/4000K/5000K		N = No option PC = Photocell MS = Motion Sensor	[TAA] [COM]

EM BACKUP

JLS-G4FT-EM	Emergency Back Up
-------------	-------------------

Specifications are typical values and may change without notification



BASIC SENSORS

JLS-BUTTON-PC	Field Installed Button Photocell (PC option in ordering guide is factory installed)
JLS-ESS-EFS07-AUX-W.B1	PIR Motion Sensor with HOLD ON/OFF Photocell
JLS-ESS-WHBL1-2-B	High Bay Lens for wet locations, IP66
JLS-ESS-RM51	Programming Remote

LumaLinx ENHANCED SENSORS

JLS-LLE-WPPA102-AUX	0-10V Dimming 3.5mm jack, LR Antenna Round Waterproof Bluetooth Controller Node
JLS-LLE-EFS106-AUX-W	High Bay Long Range Bluetooth Sensor
JLS-LLE-WSC03-AUX	AUX Swivel Extension Arm



JLS-LLE-WPPA102-AUX



JLS-ESS-EFS06R



JLS-BUTTON-PC



JLS-ESS-RM51

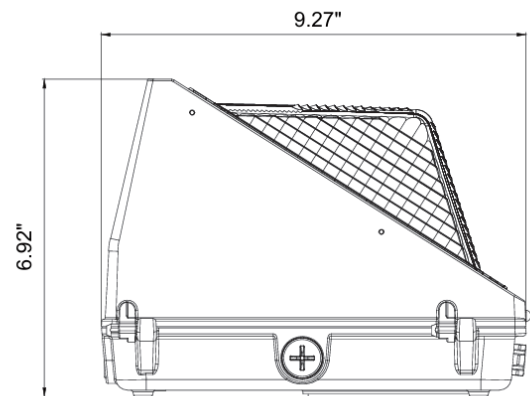
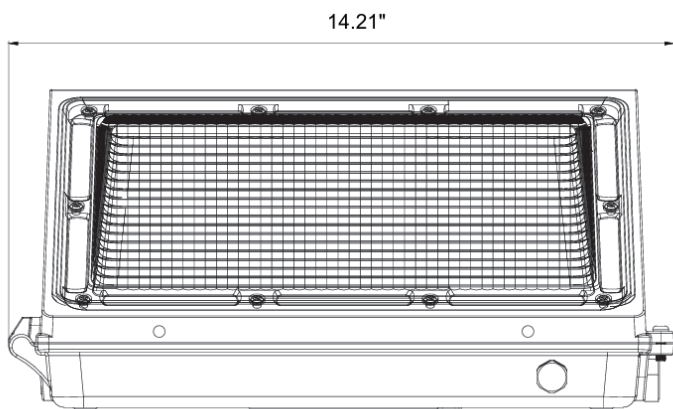


JLS-LLE-EFS106-AUX-W



JLS-LLE-WSC03-AUX

DIMENSIONS (Unit: inch)



Specifications are typical values and may change without notification