



ADVANCED LED FLOOD LIGHT

DESCRIPTION

Jaykal's LED Flood Light delivers superior photometric performance with uniform illumination, high efficacy, and extended service life, all within a sleek, low-profile design. Constructed with a one-piece die-cast aluminum housing and finished with a UV-resistant powder coat, the luminaire provides excellent thermal management and long-term corrosion resistance for demanding outdoor environments.

Designed for ease of installation and reliable performance, this flood light features field-adjustable wattage and color temperature (CCT), allowing for on-site customization to meet specific application requirements. An integrated, selectable photocell enables automatic dusk-to-dawn operation and can be enabled or disabled as needed for additional energy savings and control flexibility.

FEATURES

- High luminous efficiency and long working life.
- High efficiency LED Driver, the wide range input voltage AC120-277V/AC.
- Die-cast aluminum cooling design, high quality and better cooling for LED $T_j < 85^\circ\text{C}$.
- Excellent optics design, greatly improve the light utilization and evenness.



Revised 4/15/2026

Specifications are typical values and may change without notification



SPECIFICATIONS			
MODEL	JLS-G5FL-M1	JLS-G5FL-M2	JLS-G5FL-M3
WATTAGE	35W/20W/15W	80W/60W/35W	150W/120W/100W
EFFICACY	135lm/W		
LUMENS	4,725/2,700/2,025	10,800/8,100/4,725	20,250/16,200/13,500
CCT	3000K, 4000K, 5000K Selectable		
CRI	Ra>70		
INPUT VOLTAGE	AC120-277V / AC120-347V		
POWER FACTOR	>0.95@120V		
THD	<20%		
DIMMING	0-10V Dimming		
DIMMING SINK CURRENT	<3mA		
PROTECTION	Integral short circuit, open circuit, and overload protection		
SURGE PROTECTION	Standard 6KV & 10KV for 10-Year Warranty Option (10KV Available for M2/M3) LED driver will survive 250 repetitive strikes of "C Low" (C Low: 6kV/1.2 x 50 μs, 10kA/8 x 20 μs) waveforms at 1-minute intervals with less than 10% degradation in clamping voltage. "C Low" waveforms are as defined in IEEE/ASNI C62.41.2-2002, Scenario 1 Location Category C.		
LIFE SPAN	> 50,000hrs.		
WORKING TEMPERATURE	-40°C ~45°C		
STORAGE TEMPERATURE	-40°C ~80°C		
OUTDOOR RATING	Wet location/IP65		
CABLE	5 core,18AWG 0.3m		
FCC	FCC 47 CFR Part 15 Compliance		
WARRANTY	5 Year Standard / 10 Year Optional		

ORDERING GUIDE				EXAMPLE : JLS-G5FL-M2-7MCCT-PC-K [TAA]					
MODEL	-	WATTAGE	-	CCT	-	CONTROLS	-	MOUNT	DESIGNATION
JLS-G5FL		M1 = 15/20/35W M2 = 35/60/80W M3 = 100/120/150W		7MCCT = 3000K/4000K/5000K		N = No option PC = Photocell		K = Knuckle Mount* T = Trunnion Mount** Y = Yoke Mount*** SF = Slip Fitter Mount****	[TAA] [COM]

*Knuckle only for M1/M2 type

**Trunnion only for M3 type

***Yoke for all M1/M2/M3 type

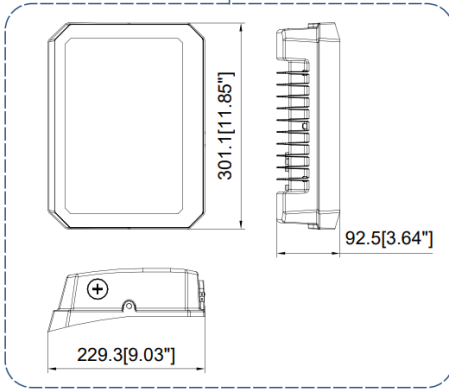
****SF only for M2/M3 type

Specifications are typical values and may change without notification

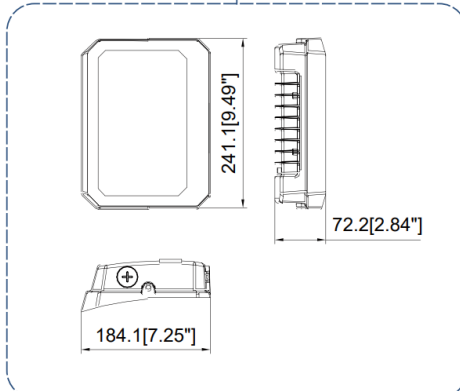


DIMENSIONS

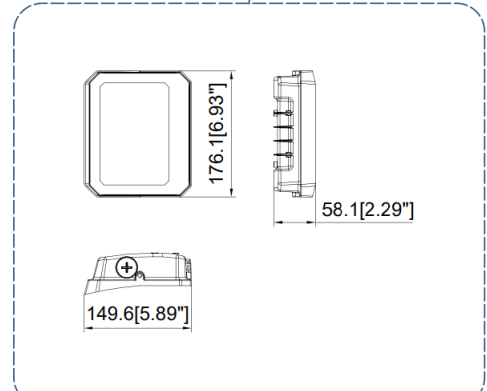
150W/100W



80W/60W

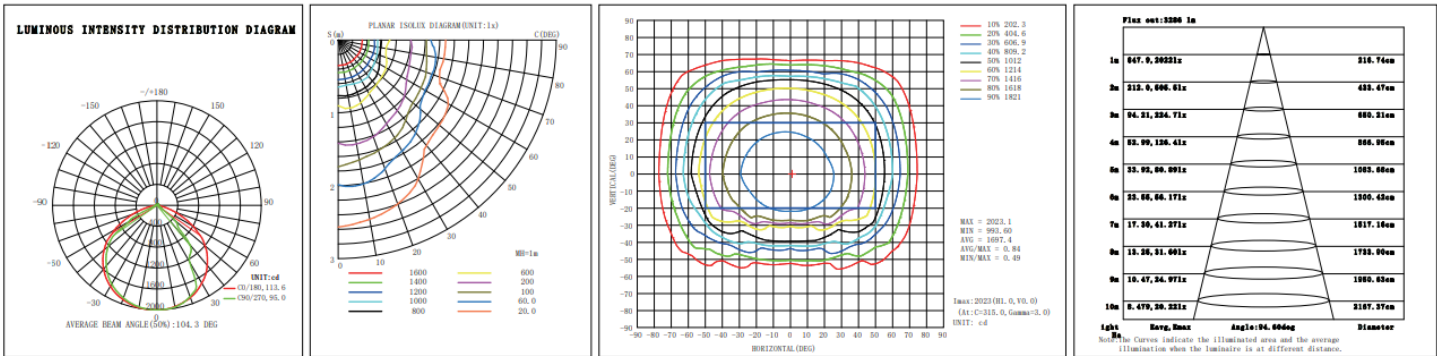


35W/15W

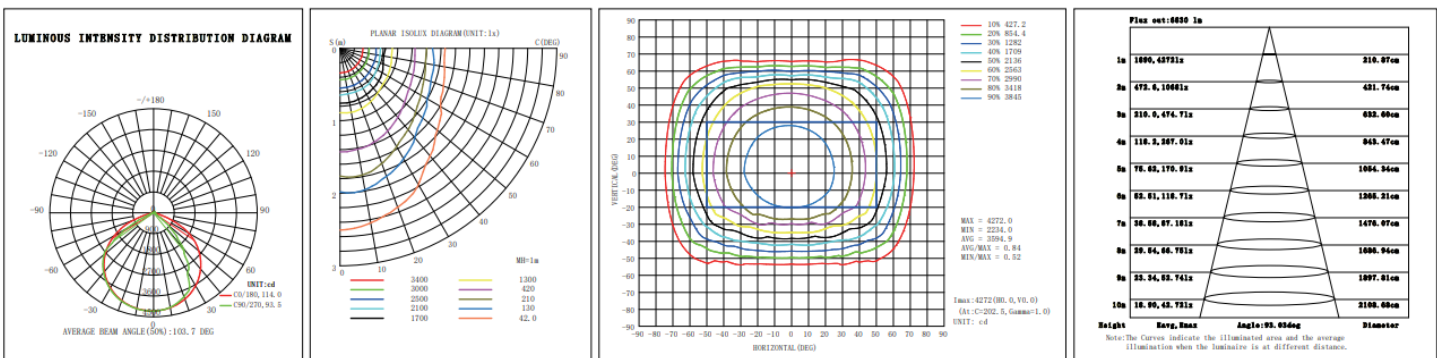


PHOTOMETRICS

35/20/15W



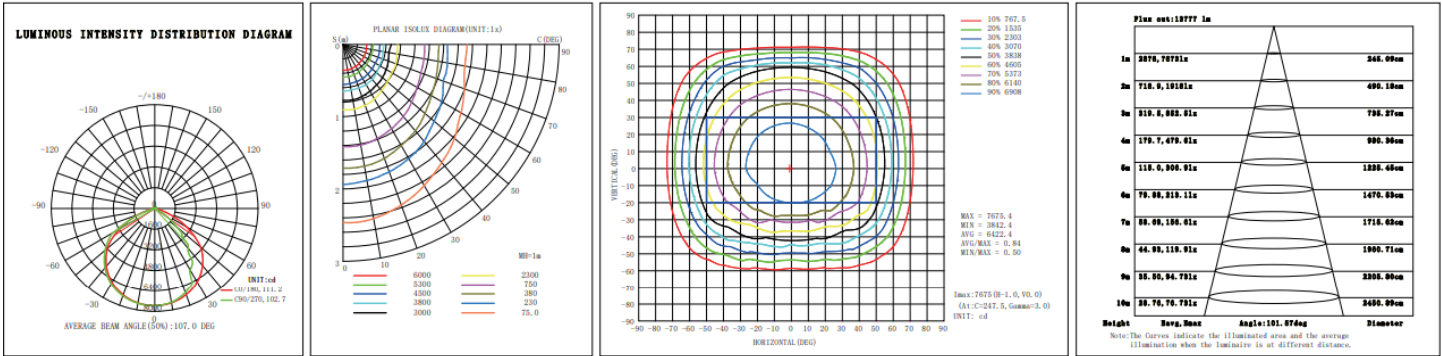
80/60/35W



Specifications are typical values and may change without notification

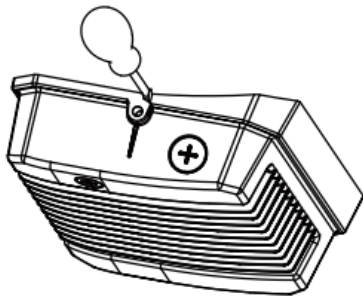


150/120/100W

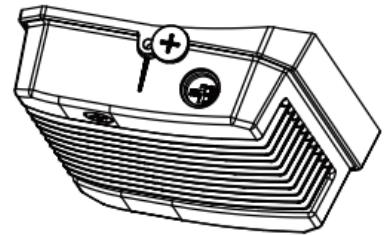


INSTALLATION INSTRUCTIONS:

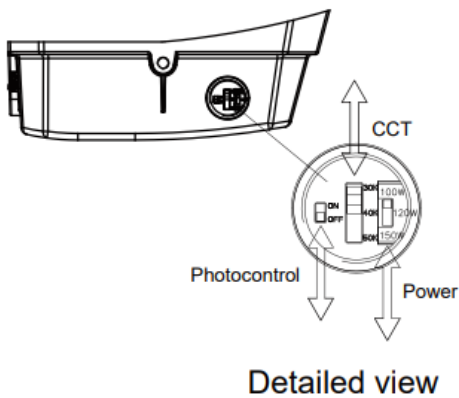
1. Use a screwdriver to remove the fixing screws, as shown in Figure 1.



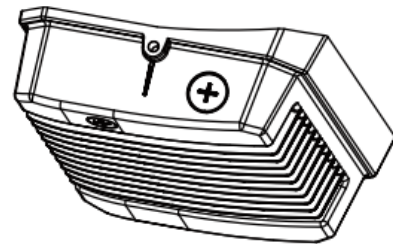
2. Remove the fixing screws and cover plate, as shown in Figure 2.



3. Flip the color temperature switch to the desired color temperature, flip the power switch to the desired wattage, as shown in Figure 3.



4. Restore the installation in the order of Step 321, as shown in Figure 4.



Specifications are typical values and may change without notification



PACKING/WEIGHT					
WATTAGES	PACKING	SIZE	NET WEIGHT	GROSS WEIGHT	PCS/CTN
35/20/15W	Outer Packing Size	13.62L*11.34W*7.72H in. 346L*288W*196H mm	16.76lbs/7.6kg	19.73lbs/8.95kg	8pcs/ctn.
80/60/35W	Outer Packing Size	16.22L*13.62W*10.24H in. 412L*346W*260H mm	26.46lbs/12kg	29.87lbs/13.55kg	8pcs/ctn.
150/120/100W	Outer Packing Size	16.85L*10.12W*12.6H in. 428L*257W*320H mm	23.15lbs/10.5kg	26.79lbs/12.15kg	4pcs/ctn.

PACKING/WEIGHT					
WATTAGES	PACKING	SIZE	NET WEIGHT	GROSS WEIGHT	PCS/CTN
Slip-Fitter 35/60/80W 100/120/150W	Outer Packing Size	18.5L*9.25W*10.87H in. 470L*23W*276H mm	22.5lbs/10.2kg	26.01lbs/11.8kg	10pcs/ctn.
Trunnion 100/120/150W 35/60/80W	Outer Packing Size	11.42L*7.16W*H9.29H in. 290L*182W*H236H mm	8.38lbs/3.8kg	8.82lbs/4kg	10pcs/ctn.
Trunnion 15/20/35W	Outer Packing Size	8.07L*5.24W* 9.69H in. 205L*133W*246H mm	6.4lbs/2.9kg	7.72lbs/3.5kg	10pcs/ctn.
Knuckle 15/20/35W 35/60/80W 100/120/150W	Outer Packing Size	16.14L*9W*11.02H in. 428L*257W*320H mm	16.53lbs/7.5kg	24.25lbs/11kg	50pcs/ctn.
Yoke 100/120/150W	Outer Packing Size	12.87L*8.27W*8.27H in. 327L*210W*210H mm	4.4lbs/2kg	6lbs/2.7kg	10pcs/ctn.
Yoke 35/60/80W	Outer Packing Size	10.51L*7.4W*8.27H in. 267L*188W*210H mm	6.6lbs/3kg	8.8lbs/4kg	10pcs/ctn.
Yoke 15/20/35W	Outer Packing Size	7.87L*5.83W*7.48H in. 200L*148W*190H mm	7.5lbs/3.4kg	9.92lbs/4.5kg	10pcs/ctn.

Specifications are typical values and may change without notification