



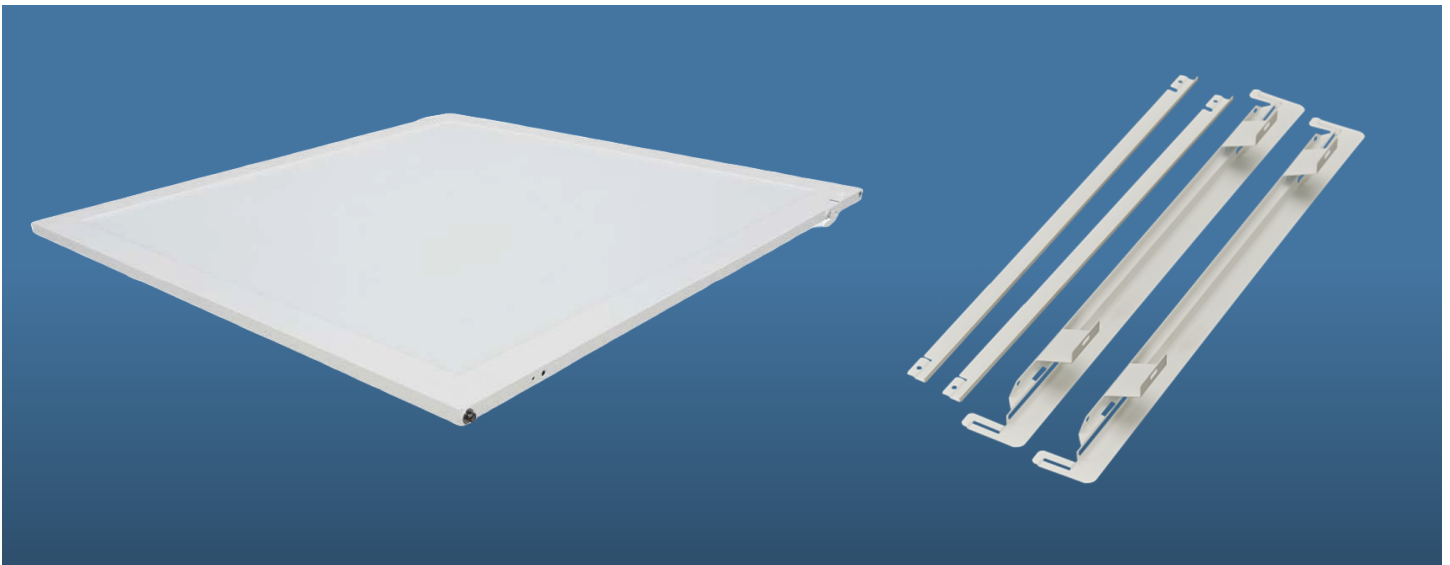
## G2PNL-R SENSOR READY FLAT PANEL

### DESCRIPTION

Jaykal's new sensor ready design enables accessory sensors to be installed by simply plugging in the sensor. If no controls are needed now, they may be added later, with a simple plugin installation. The fixture is suitable for commercial and retail applications. Wattage and color selectability is standard, allowing field tuning to meet changing project requirements. It features three watt age presets and three color presets.

### FEATURES

- Wattage Selectable: From 18W to 46W
- CCT Selectable: 3500K/4000K/5000K
- Flicker Free ( $\leq 10\%$ )
- 0-10V Dimming Standard
- Sensor Ready Design
- Optional Mounting Accessories
- EM Ready



Revised 4/2/2026

*Specifications are typical values and may change without notification*



## SPECIFICATIONS

<b>MODEL</b>	<b>JLS-G2PNL-R</b>				
<b>INPUT VOLTAGE</b>	120-277VAC 50/60hz				
<b>SIZE</b>	1X4	2X2		2X4	
<b>WATTAGE TYPE</b>	M1	M1	M2	M1	M2
<b>WATTAGE</b>	18W/22W/25W	18W/22W/25W	20W/25W/30W	23W/30W/36W	35W/40W/46W
<b>EFFICACY</b>	125lm/W				
<b>LUMENS</b>	2,250/2,750/3,125	2,250/2,750/3,125	2,500/3,125/3,750	2,875/3,750/4,500	4,375/5,000/5,750
<b>L70 HOURS</b>	100,000 hrs. +				
<b>POWER FACTOR</b>	>0.95@120VAC				
<b>DRIVER</b>	Driver includes dimming control wiring for 0-10V dimming systems. The dim-to-off voltage threshold of 12V AUX integrated driver ranges from 0.1V to 0.5V.				
<b>0-10V SINK CURRENT</b>	<5mA				
<b>THD</b>	<20%				
<b>PROTECTION</b>	Integral short circuit, open circuit, and overload protection				
<b>CRI</b>	>80				
<b>FLICKER</b>	Produces no greater than 10 percent flicker at 200 Hz or below when paired with control devices per CEC Title 24 JA10				
<b>CCT</b>	MCCT (3500K/4000K/5000K Selectable)				
<b>OPERATIONAL TEMP.</b>	-20°C (-4°F) to 50°C (122°F)				
<b>LENS</b>	Frosted Polystyrene				
<b>HOUSING MATERIAL</b>	Steel and Extruded Aluminum				
<b>UL RATING</b>	Suitable for damp locations. IC rated				
<b>FCC</b>	FCC 47 CFR Part 15 Compliant				
<b>WARRANTY</b>	5 Years Standard/10 Years Optional				

## ORDERING GUIDE

MODEL	SIZE	WATTAGE	CCT	EMERGENCY	DESIGNATION
JLS-G2PNL-R	14 = 1X4	M1 = 18W/22W/25W	MCCT = 3500K/4000K/5000K	N = None EM = Emergency Backup	[TAA]
	22 = 2X2	M1 = 18W/22W/25W M2 = 20W/25W/30W			[COM]
	24 = 2X4	M1 = 23W/30W/36W M2 = 35W/40W/46W			


## Compatible Controls Guide

BRAND	MODEL	SENSOR TYPE
LumaLinx	JLS-ESS-IFS06R.B1	ESSENTIAL
LumaLinx	JLS-ESS-RM51	REMOTE CONTROL PROGRAMMER
LumaLinx	JLS-LLE-IFS108.B2	ENHANCED


*Specifications are typical values and may change without notification*



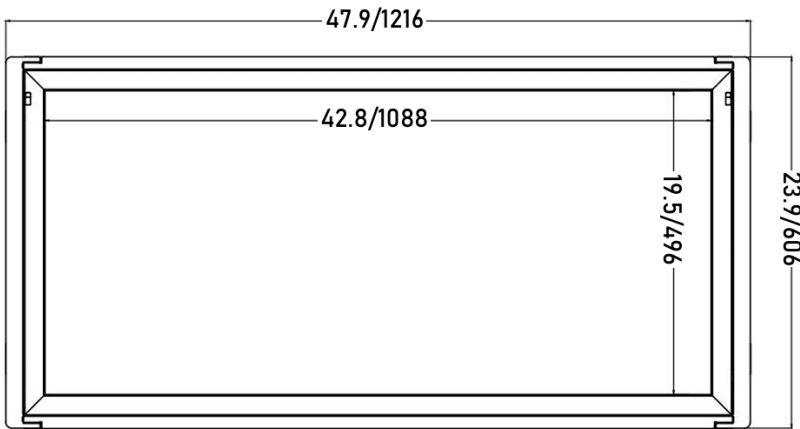
## EM Backups

	8W EM Backup	JLS6810D-G2EM-08170-HY
	18W EM Backup	JLS6810D-G2EM-18170-HY

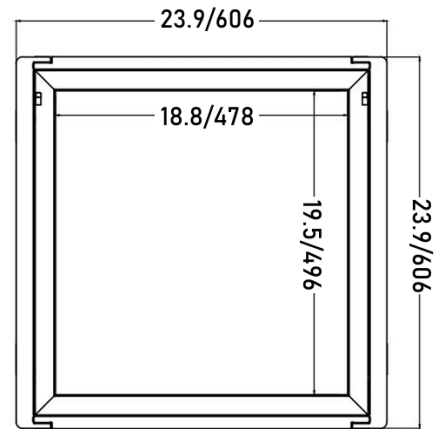
## MOUNTING OPTIONS

	Mounting Bars with Air Return Function	JLS-G2PNL-R-PLENUM
---	--	--------------------

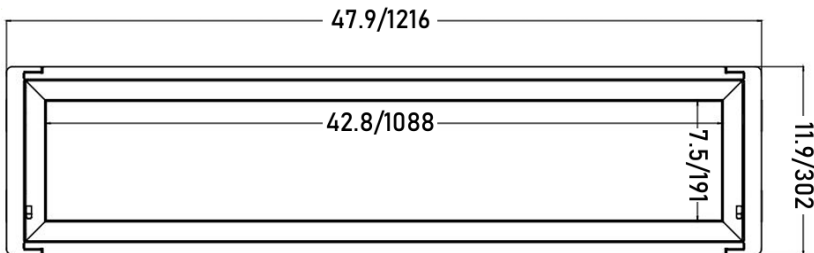
## DIMENSIONS (Units : Inch/mm)



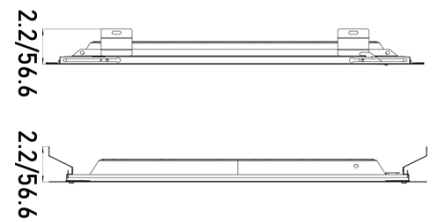
**2X4**



**2X2**



**1X4**



*Specifications are typical values and may change without notification*