



## ADVANCED MESH BLE Wireless Control Commercial Down light

### DESCRIPTION

#### Construction:

- Round 4/6/8/10in, smooth reflector
- Aluminum heat sink reflectors
- UL94-5VA fire rated PC materials driver box
- Housing less design with spring-action housing clips
- 26in flexible conduit/whip with knockout quick connector
- Aircraft design to support second drop protection
- White/ black finish, Black/Sliver/Nickel/Bronze color inset
- Goof ring, new construction plate options

#### Optical System:

- Regress style, 95D beam angle and UGR 22
- IP 3528 SMD LED
- 2,700-5,000K and Lumens selectable by App
- Polycarbonate (PC) material diffuser
- Super lighting consistency
- <4 steps for end CCT
- CRI 90 color rendering index (CRI)
- Calculated Life >50k hours @L70
- Saving energy cost: up to 130lm/w

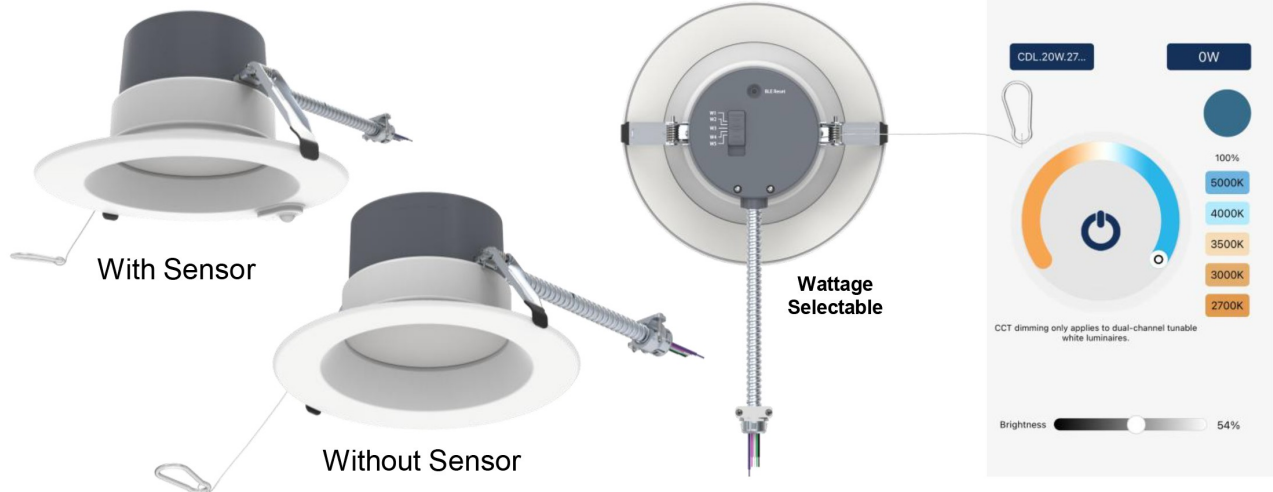
### FEATURES

#### Electrical:

- Integrated Mesh BLE module
- 120-277V AC Voltage @ 50/60Hz
- Power factor (PF): >0.9
- Total harmonic distortion (THD): <25%
- < 30% flicker percent, meet CEC T24 JA8
- Low noise <22dB
- Optional emergency battery backup field installed

#### Installation:

- Retrofit or New Construction recessed mount
- Hotel, healthcare, meeting room and so on
- Operating temp.: -25°C to +40°C (-13°F to 104°F)
- Suitable for wet locations and Air-tight
- 5-year limited warranty
- Listed to UL 1598
- Energy Star listed
- FCC part 15 Class A
- CA Title 24 Compliant



Revised 4/20/2026

Specifications are typical values and may change without notification



## SPECIFICATIONS

Category	4in Round	6in Round	8in Round	10in Round
Rated Wattage	13/10/9/7/5.5W	24/21/18.5/13/9.5W	30/27/23/20/16W	38/32/28/24/20W
Rated Lumens (40/50K)	1350/1100/1000/800/600lm	2600/2250/2000/1500/1100lm	3250/3000/2600/2300/2000lm	4000/3500/3200/2750/2500lm
Input Voltage	120-277VAC, 50/60Hz			
Dimming & Range	MESH BLE wireless control, 0-100%			
Power Factor (PF)	>0.9			
THD	<25%			
Surge Protection	2.5KV Ring wave			
Noise	<22dB, Meet ES class A			
CCT	2700-5000K app/remote controller control			
SDCM	4 steps for end CCT, 7 steps for medium CCT			
CRI	CRI90			
Beam Angle	90D		95D	
Efficacy	105-130lm/W			
Materials	PC plastic driver box, Spinning aluminum reflector, Optical PC diffuser			
Driver Box Finish	Grey, or custom finishes available			
Air-tight	Yes, Certified Air Tight per ASTM E283			
Reflector finish	White standard			
Application Location	Indoor Wet location			
IC or Non-IC	IC Rated			
Operating Temperature	-25°C to 40°C			
Storage Temperature	-25°C to 80°C			
Protection	Integral short circuit, open circuit, and overload protection			
Lifetime	>50,000Hrs L70(TM21)			
FCC	FCC 47 CFR Part 15 Compliance			
Accessories	Goof Ring, New construction plat, Hanger bar, J-BOX or EMBB			
Qty / Unit (Carton Box)	1PC			
Qty / Master Carton	6 PCS			
Master Carton Dimension	404*404*291mm	504*264*449mm	604*316*469mm	642*326*526mm
Qty / 40HQ	6,720 PCS	5,280 PCS	3,780 PCS	2,856 PCS
Warranty	5 Year Standard / 10 Year Optional			

*Specifications are typical values and may change without notification*



## ORDERING GUIDE

For example: JLS-BTCR-4-13-9MCCT-N [TAA], CDX2 4in round 120-277V 13/10/9/7/5.5W Ra90 27-50K white smooth BLE

MODEL	SIZE	WATTAGE	CCT	SENSOR	DESIGNATION
JLS-BTCR	4 = 4 Inch Can	13 = 13W Max	9MCCT = 2700K-5000K	N = No Sensor	[TAA]
	6 = 6 Inch Can	24 = 24W Max		S = With Sensor	[COM]
	8 = 8 Inch Can	30 = 30W Max			
	10 = 10 Inch Can	38 = 38W Max			

## ORDERING GUIDE (ACCESSORIES)

For example: JLS-BTCR-R06-BL, 6inch round matt black color inset

MODEL	
JLS-BTCR	<p>JLS-BTCR-R04-BL/BN/BZ/MS, 4in round matt black smooth color inset (BL: Black, BN: Brushed Nickel, BZ: Bronze, MS: Matt Sliver)</p> <p>JLS-BTCR-R06-BL/BN/BZ/MS, 6in round matt black smooth color inset (BL: Black, BN: Brushed Nickel, BZ: Bronze, MS: Matt Sliver)</p> <p>JLS-BTCR-R08-BL/BN/BZ/MS, 8in round matt black smooth color inset (BL: Black, BN: Brushed Nickel, BZ: Bronze, MS: Matt Sliver)</p> <p>JLS-BTCR-R10-BL/BN/BZ/MS, 10in round matt black smooth color inset (BL: Black, BN: Brushed Nickel, BZ: Bronze, MS: Matt Sliver)</p> <p>JLS-BTCR-GR4-WH 4in Goof ring white RAL9016</p> <p>JLS-BTCR-GR6-WH 6in Goof ring white RAL9016</p> <p>JLS-BTCR-GR8-WH 8in Goof ring white RAL9016</p> <p>JLS-BTCR-GR10-WH 10in Goof ring white RAL9016</p> <p>JLS-BTCR-JBOX-01 6+4 knockouts junction box</p> <p>JLS-BTCR-NCP8-212 8/10in 212mm hole size new construction plat</p> <p>JLS-BTCR-NCP10-PR310 Suitable for 3(77mm)/4(92mm, 125mm)/6(160mm)/8(197mm)/10in(230mm) round new construction plat</p> <p>JLS-BTCR-NCP-TB New construction plat with hanger bar/T-grid bar</p> <p>JLS-BTCR-NCP-JBOX01 New construction plat with hanger bar/T-grid bar and J-BOX-01</p> <p>JLS-BTCR-EM, Emergency backup</p>



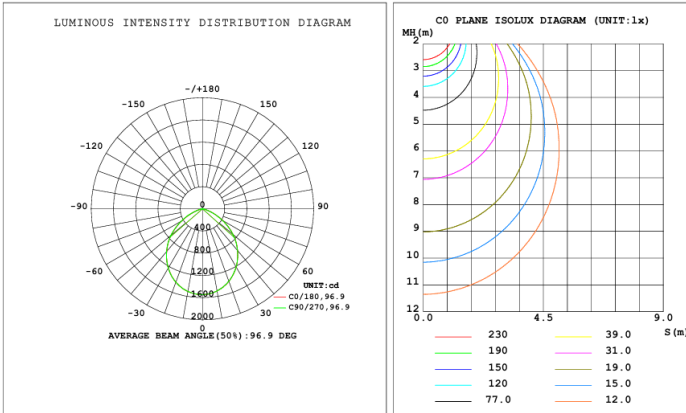
*Specifications are typical values and may change without notification*



## OPTICAL DISTRIBUTION (GONIO)

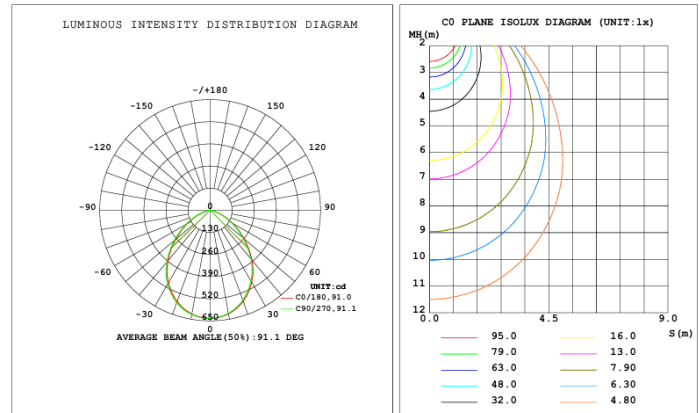
### 8in 30W 5000k

DATA OF LAMP		PHOTOMETRIC DATA Eff: 121.01 lm/W			
MODEL		I <sub>max</sub> (cd)	1544	S/MH (C0/180)	1.19
NOMINAL POWER (W)	28	LOR (%)	100.0	S/MH (C90/270)	1.19
RATED VOLTAGE (V)	120	TOTAL FLUX (lm)	3397.2	η UP, DN (C0-180)	0.0, 49.4
NOMINAL FLUX (lm)	3397.23	CIE CLASS	DIRECT	η UP, DN (C180-360)	0.0, 50.6
LAMPS INSIDE	1	η up (%)	0.0	CIBSE SHR NOM	1.25
TEST VOLTAGE (V)	120	η down (%)	100.0	CIBSE SHR MAX	1.30



### 4in 13W 5000k

DATA OF LAMP		PHOTOMETRIC DATA Eff: 116.09 lm/W			
MODEL		I <sub>max</sub> (cd)	634.6	S/MH (C0/180)	1.16
NOMINAL POWER (W)	11	LOR (%)	100.0	S/MH (C90/270)	1.18
RATED VOLTAGE (V)	120	TOTAL FLUX (lm)	1331.0	η UP, DN (C0-180)	0.0, 48.8
NOMINAL FLUX (lm)	1331.03	CIE CLASS	DIRECT	η UP, DN (C180-360)	0.0, 51.2
LAMPS INSIDE	1	η up (%)	0.0	CIBSE SHR NOM	1.25
TEST VOLTAGE (V)	120	η down (%)	100.0	CIBSE SHR MAX	1.30



## Set-up Options for Connecting Your Bluetooth Downlight

scan the QR code to download the GreenWay App, follow instructions for direct to phone set-up, this Bluetooth device is compatible with GreenWay Lighting control system only.

### App Download:



### Commissioning:

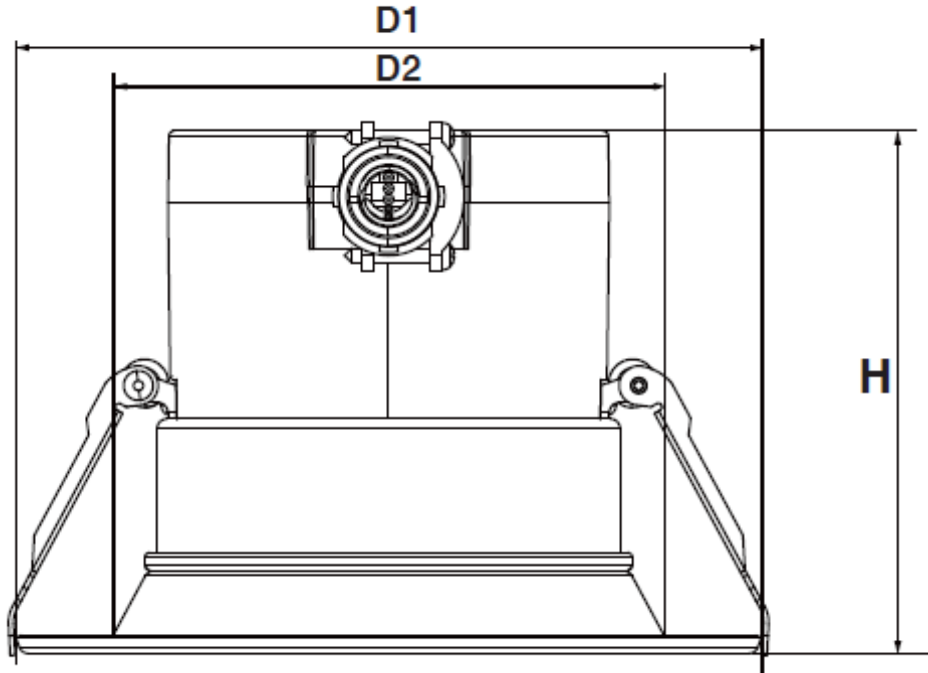
GreenWay mobile App is the easiest way to pair devices, create groups, set scenes, set schedules, dimming, color tuning, and adjust high trim based on needs.

### Notes:

- Please press icon on the APP to save the setting after you change the "Sensor Settings"
- Please do not set the speed (S) less than 0.3 for the "Daylight Harvesting"   
 Speed (S)
- Please do not turn on the sensor function if the downlight does not have this design.



## DIMENSIONS



SIZE	D1	D2	H	Cut-Out
4"	6"	4-3/4"	4-3/15"	Ø 4-15/16"
6"	8-7/16"	5-7/8"	4-43/46"	Ø 66-1/8"
8"	10-1/16"	7-3/8"	5"	Ø 7-9/16"
10"	11-3/8"	8-11/16"	5-1/2"	Ø 9"

*Specifications are typical values and may change without notification*



## INSTALLATION DIAGRAM

### Retrofit Installation

**Step 1:** Make sure the POWER is TURNED OFF while you are installing the products.

**Step 2:** If existing fixture and trim are present, remove from ceiling or move it out of the way as it will not be needed during installation.

Measure the ceiling opening to make sure the edge of the luminaire will cover the entire hole and still sit firmly in the ceiling before processing. (Fig. 2)

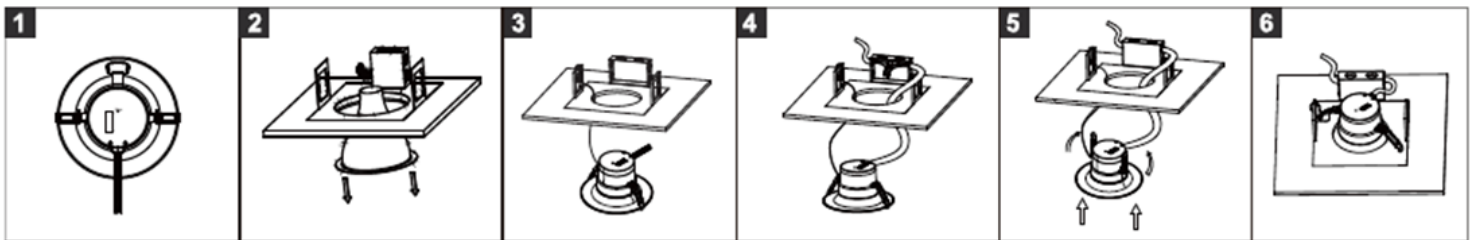
**Step 3:** Attach the carabiner safety clip to the existing fixture housing. (Fig. 3)

**Step 4:** Insert fixture conduit into J-box and wire to power source (see Wiring Diagram above). Reattach J-box cover when done. (Fig. 4)

**Step 5:** Squeeze the two housing clips so they are in an upright position and insert lamp into housing. (Fig. 5)

**Step 6:** Once fixture is inside the housing, release the housing clips and continue pushing fixture into housing unit securely fixed and flush with ceiling. (Fig. 6)

**Step 7:** Restore power and the Installation is complete.



### New Construction Installation

**Step 1:** Make sure the POWER is TURNED OFF in which you are installing the product.

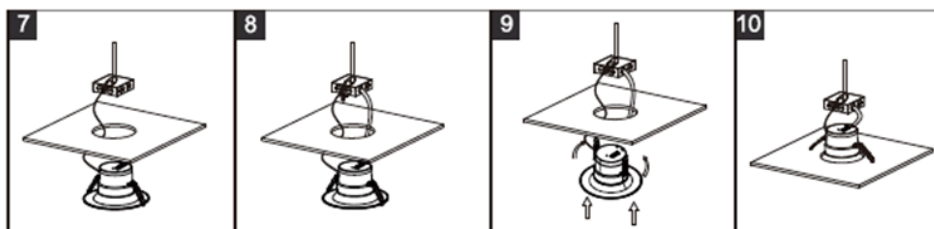
**Step 2:** Attach the carabiner safety clip to the existing fixture housing. (Fig. 7)

**Step 3:** Insert fixture conduit into J-box and wire to power source (see Wiring Diagram above). Reattach J-box cover when done. (Fig. 8)

**Step 4:** Squeeze the two housing clips so they are in an upright position and insert fixture into opening. (Fig. 9)

**Step 5:** Once fixture is inside the opening, release the housing clips and continue pushing fixture into opening until securely fixed and flush with ceiling. (Fig. 10)

**Step 6:** Restore power and the installation is complete.



*Specifications are typical values and may change without notification*