



G4FL LED FLOOD LIGHT

DESCRIPTION

The LED Flood Light is a versatile, high-performance luminaire designed for general area illumination, security lighting, and architectural accent applications. Engineered with precision optics and robust construction, this fixture delivers reliable performance across a wide range of outdoor environments.

Available in wattages from 15W to 100W, the luminaire provides scalable lumen output suitable for residential, commercial, and light industrial use.

FEATURES

- Wattage Options : 15W/30W/50W/60W/80W/100W
- Lumen Package 130lm/W
- Input 100-277VAC
- Cast Aluminum Construction Provides Superior Cooling Performance, LED Tj<85
- Excellent Optical Design Optimizes Light Utilization and Distribution.





SPECIFICATIONS

MODEL	JLS-G4FL	
TYPE	M1	M2
WATTAGE	15W/30W/50W	60W/80W/100W
INPUT VOLTAGE	100-277VAC 50/60HZ	
EFFICACY	130LM/W	
LUMENS	1,950/3,900/6,500	7,800/10,400/13,000
BUG RATING	B2-U1-G1	B3-U2-G2
POWER FACTOR	>0.95@120V / >0.9@277V	
EFFICIENCY OF DRIVER	≥90%	
CLASS LEVEL OF DRIVER	Class I	
THD	<15%	
PROTECTION	Integral short circuit, open circuit, and overload protection	
SURGE PROTECTION	Standard 6KV & 10KV for 10-Year Warranty Option LED driver will survive 250 repetitive strikes of "C Low" (C Low: 6kV/1.2 x 50 μs, 10kA/8 x 20 μs) waveforms at 1-minute intervals with less than 10% degradation in clamping voltage. "C Low" waveforms are as defined in IEEE/ASNI C62.41.2-2002, Scenario 1 Location Category C.	
DIMMING	0-10V	
DIMMING POWER RATING	<3mA	
CRI	70	
L70	>100,000 Hours	
CCT	3000K/4000K/5000K/MCCT (Only for M2)	
OPERATIONAL TEMP.	-20°C - 50°C (-4°F - 122°F)	
HOUSING MATERIAL	Die-Cast Aluminum	
IP RATING	IP65	
HOUSING FINISH	Bronze / Black / Custom	
CERTIFICATIONS	UL/DLC	
FCC	Tested to FCC 47 CFR Part 15 with compliance to Part 18 Non-consumer RFI/EMI Standards	
WARRANTY	5 Years (10 Years Available)	

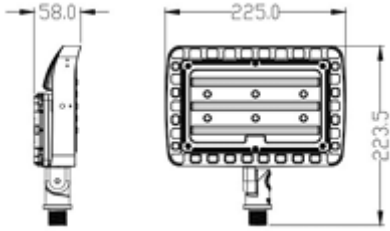
Specifications are typical values and may change without notification



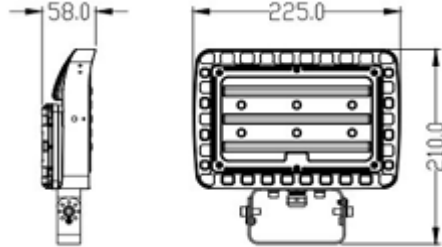
DIMENSIONS (Unit : mm)

M1 (15W/30W/50W)

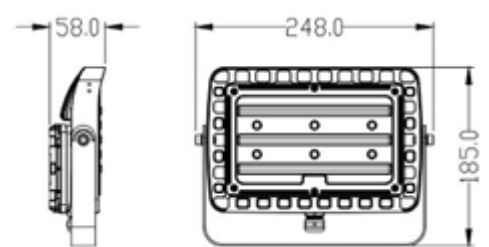
Knuckle Mount



Trunnion Mount

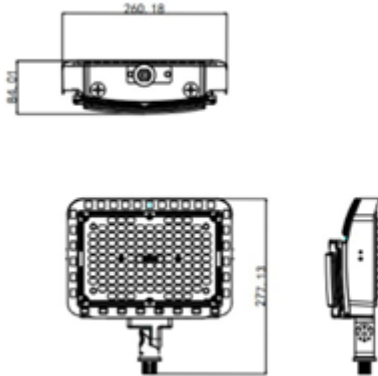


Flood Mount

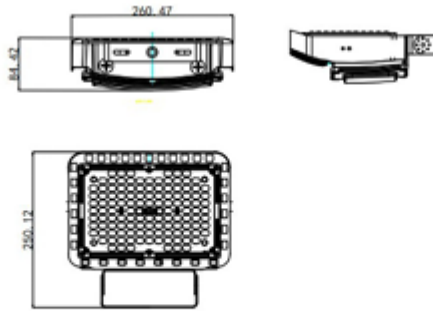


M2 (60W/80W/100W)

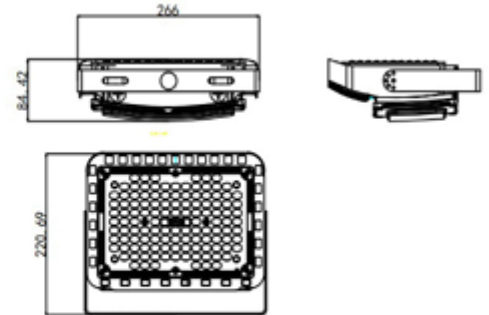
Knuckle Mount



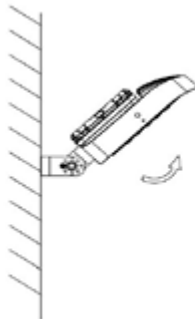
Trunnion Mount



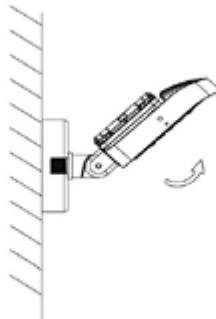
Flood Mount



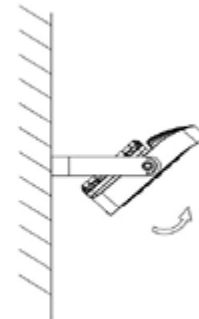
MOUNTING OPTIONS



Knuckle Mount



Trunnion Mount



Flood Mount

Specifications are typical values and may change without notification



ORDERING GUIDE

MODEL	WATTAGE	CCT	BEAM ANGLE	OPTIONS	MOUNT
JLS-G4FL	M1 = 15W/30W/50W M2 = 60W/80W/100W	730K = 3000K 740K = 4000K 750K = 5000K 7MCCT = 3000K/4000K/5000K * * Only for M2	B = Black BR = Bronze	N = No option PC = Photocell	K = Knuckle Mount T = Trunnion Mount F = Flood Mount

Specifications are typical values and may change without notification