



FULL CUTOFF WALL PACK

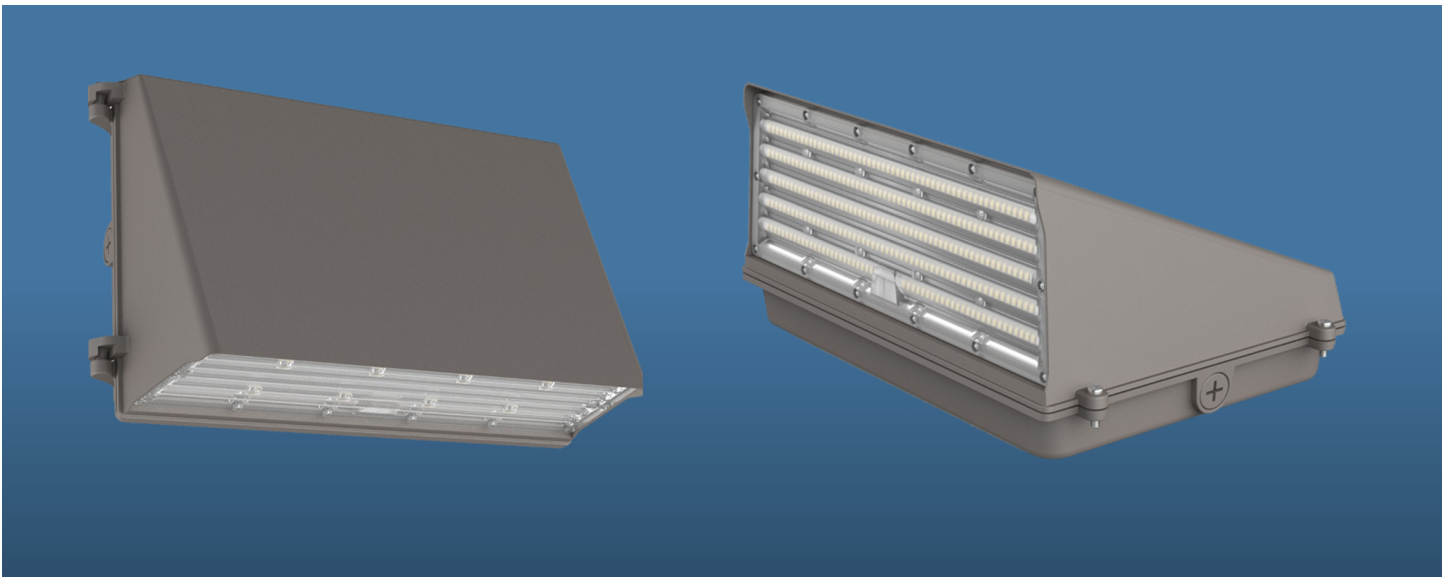
DESCRIPTION

Jaykal's LED Full Cutoff Wall Pack is a high-performance exterior luminaire engineered to deliver controlled, downward illumination while eliminating uplight and minimizing glare and light trespass. The full cutoff optical design ensures zero light emission above 90 degrees, making it ideal for applications requiring strict compliance with dark-sky, municipal, and environmental lighting codes.

Designed for perimeter security, building exteriors, and pathway illumination, this wall pack provides uniform light distribution focused on target areas without spilling light onto adjacent properties. Advanced LED optics and precision reflectors deliver consistent illumination levels while improving visibility and safety.

FEATURES

- Wattage Selectable: From 40W to 120W
- CCT Selectable: 3000K/4000K/5000K
- 0-10V Dimming Standard
- Photocell Optional
- Motion Sensor Optional
- EM back up optional
- TAA Available



ETL CLASSIFIED



Revised 3/20/2026

Specifications are typical values and may change without notification



SPECIFICATIONS

SPECIFICATIONS	JLS-G4FC		
INPUT VOLTAGE	120-277VAC 50-60HZ / 120-347VAC 50-60HZ		
TYPE	M1	M2	M3
WATTAGE	40W/60W/80W	60W/80W/100W	80W/100W/120W
EFFICACY	130lm/W		
LUMENS	5,200lm/7,800lm/10,400lm	7,800lm/10,400lm/13,000lm	10,400/13,000/15,600lm
BUG RATING	B2-U2-G1	B2-U2-G1	B3-U2-G2
POWER FACTOR	>0.95@120VAC / >0.9@277VAC		
THD	≤20%		
CRI	>70		
CCT PRESETS	3000K/4000K/5000K Selectable		
DIMMING TYPE	0-10V, PWM		
DIMMING SINK CURRENT	<5mA		
PROTECTION	Integral short circuit, open circuit, and overload protection		
SURGE PROTECTION	Standard 6KV & 10KV for 10-Year Warranty Option LED driver will survive 250 repetitive strikes of "C Low" (C Low: 6kV/1.2 x 50 μs, 10kA/8 x 20 μs) waveforms at 1-minute intervals with less than 10% degradation in clamping voltage. "C Low" waveforms are as defined in IEEE/ASNI C62.41.2-2002, Scenario 1 Location Category C.		
HOURS (L70)	50,000+ Hours		
OPERATIONAL TEMP.	-40°C to 45°C		
HOUSING MATERIAL	ADC12		
BEAM ANGLE	70*110°		
PROTECTION	Wet Locations (IP65)		
WARRANTY	5 Year Standard with 10 Year Option		
FCC COMPLIANCE	Tested to FCC 47 CFR Part 15 with compliance to Part 18 Non-consumer RFI/EMI Standards		
CERTIFICATION	UL/DLC		

ORDERING GUIDE

EXAMPLE: JLS-G4FC-M1-277-7MCCT-PC-N-#

MODEL	WATTAGE	VOLTAGE	CCT	CONTROLS	OPTIONS	CODE
JLS-G4FC	M1 = 40/60/80W M2 = 80/100W/120W M3 = 80W/100W/120W	277 = 100-277VAC 347 = 120-347VAC 480V = 277-480VAC* *M1/M3 Only	7MCCT = 3000K/4000K/5000K	N = No option PC = Photocell	N = No option MS = Motion Sensor	#

EM BACKUP

JLS-G4FC-EM	8W Emergency Back Up
-------------	----------------------

Specifications are typical values and may change without notification



BASIC SENSORS

JLS-BUTTON-PC	Photocell (Factory installed option)
JLS-ESS-EFS06R	Motion Sensor
JLS-ESS-RM51	Programming Remote

LumaLinX ENHANCED SENSORS

JLS-LLE-WPPA102-AUX	0-10V Dimming 3.5mm jack, LR Antenna Round Waterproof Controller Node
JLS-LLE-EFS106-AUX-W	High Bay Long Range Sensor
JLS-LLE-WSC03-AUX	AUX Swivel Extension Arm



JLS-LLE-WPPA102-AUX



JLS-ESS-EFS06R



JLS-BUTTON-PC



JLS-ESS-RM51

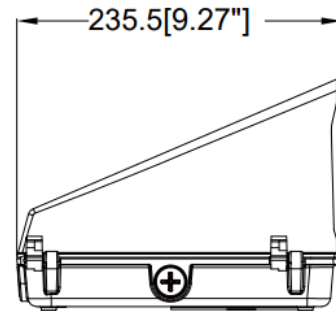
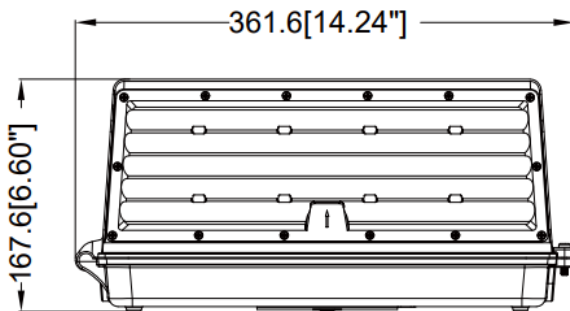


JLS-LLE-EFS106-AUX-W



JLS-LLE-WSC03-AUX

DIMENSIONS (Unit: mm/in.)



M1/M2/M3 Type

Specifications are typical values and may change without notification