



## SENSOR READY G2WRAP-S LUMINAIRE

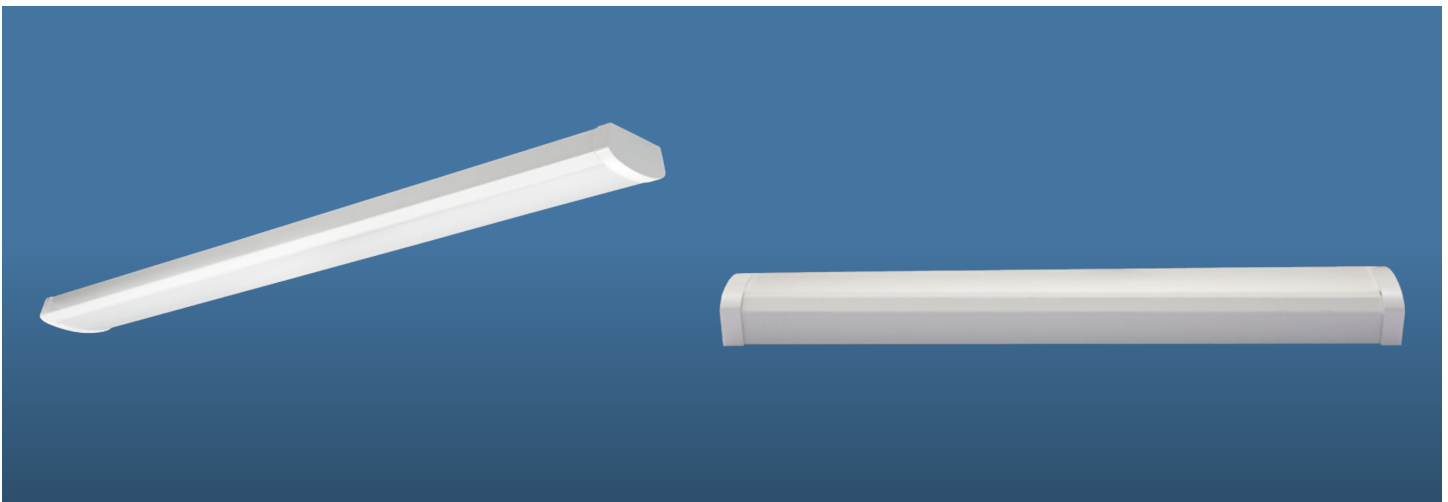
### DESCRIPTION

Jaykal's new sensor ready design enables sensors to be installed by simply plugging in the sensor. If no controls are needed now, they may be added later, with a simple plugging installation. The fixture is suitable for commercial and retail applications.

Wattage and color selectability is standard, allowing field tuning to meet changing project requirements. It features three wattage presets and three color presets and is DLC listed.

### FEATURES

- Available in 16W to 48W Multiple-Wattage
- CCT: 3500K/4000K/5000K Selectable
- 115 lm/W
- 0-10V Dimming
- 5 Year Standard Warranty



Revised 3/6/2026

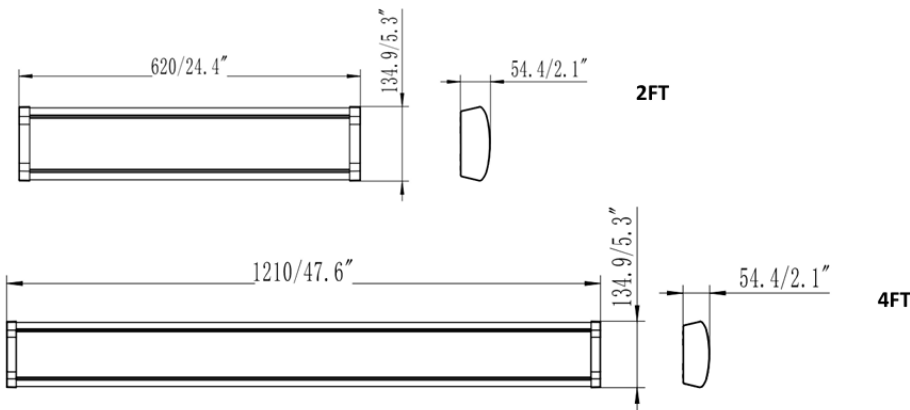
*Specifications are typical values and may change without notification*



## SPECIFICATIONS

MODEL	JLS-G2WRAP-S	
INPUT VOLTAGE	120-277VAC 50/60hz	
LENGTHS	2FT	4FT
WATTAGE TYPE	M1	M1
WATTAGE	16W/20W/24W	32W/40W/48W
EFFICACY	115lm/W	
LUMENS	1,840/2,300/2,760	3,680/4,600/5,520
L70 HOURS	100,000 hrs. +	
POWER FACTOR	>0.9	
THD	<20%	
INTEGRATED EM DRIVER	8W	
CRI	80	
CCT	MCCT (3500K/4000K/5000K Selectable)	
OPERATIONAL TEMP.	-30°C (-22°F) - 45°C (113°F)	
HOUSING MATERIAL	Steel	

## DIMENSIONS (Unit : mm/Inch)



## ORDERING GUIDE

MODEL	SIZE	WATTAGE	CCT	EMERGENCY	COO
JLS-G2WRAP-S	2 = 2FT	M1 = 16W/20W/24W	MCCT = 3500K/4000K/5000K	N = None EM = Emergency Backup	[TAA] = Made in Laos
	4 = 4FT	M1 = 32W/40W/48W			

Specifications are typical values and may change without notification



Compatible Controls Guide

BRAND	MODEL	SENSOR TYPE
LUMALINX	JLS-ESS-IFS06R	BASIC
LUMALINX	JLS-ESS-RM-51	REMOTE CONTROL PROGRAMMER
LUMALINX	JLS-LLE-IFS108.C1	NETWORK

*Specifications are typical values and may change without notification*