



SENSOR READY G2 VAPOR TIGHT

JAYKAL

PROJECT NAME:

JAYKAL LED SOLUTIONS, INC.

www.jaykal.net

PROJECT NOTES:

21499 Baltimore Ave.

Georgetown, DE 19947

(P) 302-295-0015

(F) 302-295-0016

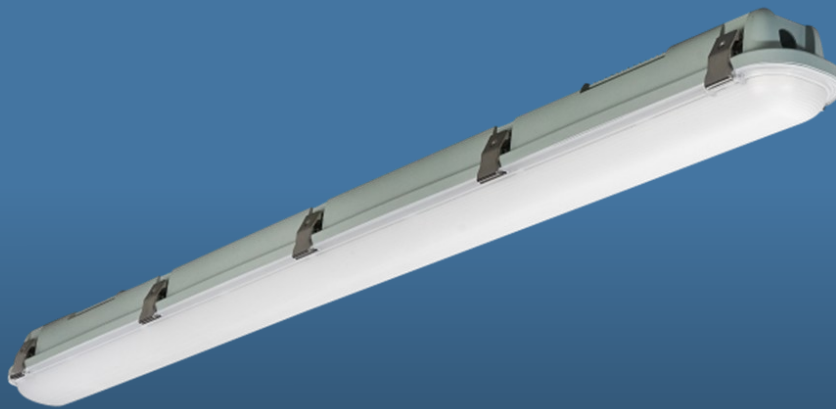
PRODUCT DESCRIPTION

Jaykal's new sensor ready design enables sensors to be installed by simply plugging in the sensor. If no controls are needed now, they may be added later, with a simple plugin installation. The fixture is suitable for commercial and retail applications.

Wattage and color selectability is standard, allowing field tuning to meet changing project requirements. It features three wattage presets and three color presets and is DLC listed.

FEATURES

- Wattage and CCT Adjustable
- 0-10v Dimming, Dim to Off
- Sensor Ready



RoHS 
Compliant



Revised 2/28/25

Specifications are typical values and may change without notification

efficiency. illuminated.



SENSOR READY G2 VAPOR TIGHT

JAYKAL

SPECIFICATIONS TABLE

JLS-G2VT SERIES (SENSOR-READY)

LENGTH	2FT		4FT		8FT	
WATTAGE TYPE	M1	M2	M3	M4	M1	M2
WATTAGE	15W/20W/25W	25W/30W/40W	34W/38W/45W	38W/46W/54W	55W/60W/65W	65W/75W/90W
VOLTAGE	120-277VAC 50/60HZ					
EFFICACY@40K	130lm/W					
LUMENS	1,950/2,600/3,250	3,250/3,900/5,200	4,420/4,940/5,850	4,940/5,980/7,020	7,150/7,800/8,450	8,450/9,750/11,700
POWER FACTOR	>0.90					
DRIVER	Driver includes dimming control wiring for 0-10V dimming systems. The dim-to-off voltage threshold of optional 12V AUX integrated driver ranges from 0.1V to 0.5V.					
CRI	>80					
BEAM ANGLE	120°					
L70 HOURS	>100,000					
CCT	MCCT (3500K/4000K/5000K Selectable)					
WORKING TEMP.	-40°C (-40°F) to 45°C (113°F) when fixture is suspended at least 18" from ceiling. / -40°C (-40°F) to 40°C (104°F) when fixture is surface mounted.					
HOUSING	Light gray Polycarbonate housing with stainless steel latches. Frosted polycarbonate lens					
IP RATING	IP66					
UL RATING	Wet Location, 5VA housing, the highest flame classification in the UL94 Standard					

Ordering Guide

MODEL	SIZE	WATTAGE	CCT	EM	TAA
JLS-G2VT	2 = 2FT.	M1 = 15W/20W/25W	MCCT = 3500K/4000K/5000K	N = None EM = 8W Integrated	[TAA] = Laos
		M2 = 25W/30W/40W			
	4 = 4FT.	M3 = 34W/38W/45W			
		M4 = 38W/46W/54W			
	8 = 8FT.	M5 = 55W/60W/65W			
		M6 = 65W/75W/90W			

BRAND	MODEL	SENSOR TYPE
LUMALINX	JLS-LL-IFS08ET	ESSENTIAL
LUMALINX	JLS-LL-RM51	REMOTE CONTROL PROGRAMMER
LUMALINX	JLS-LLE-EFS106-AUX.B1	BLUETOOTH
LUMALINX	JLS-LLE-WPPA102.AUX.B1	CONTROLLER NODE
LUMALINX	JLS-LLE-SC02-AUX	3.5mm 90° EXTERNAL ADAPTER

Specifications are typical values and may change without notification

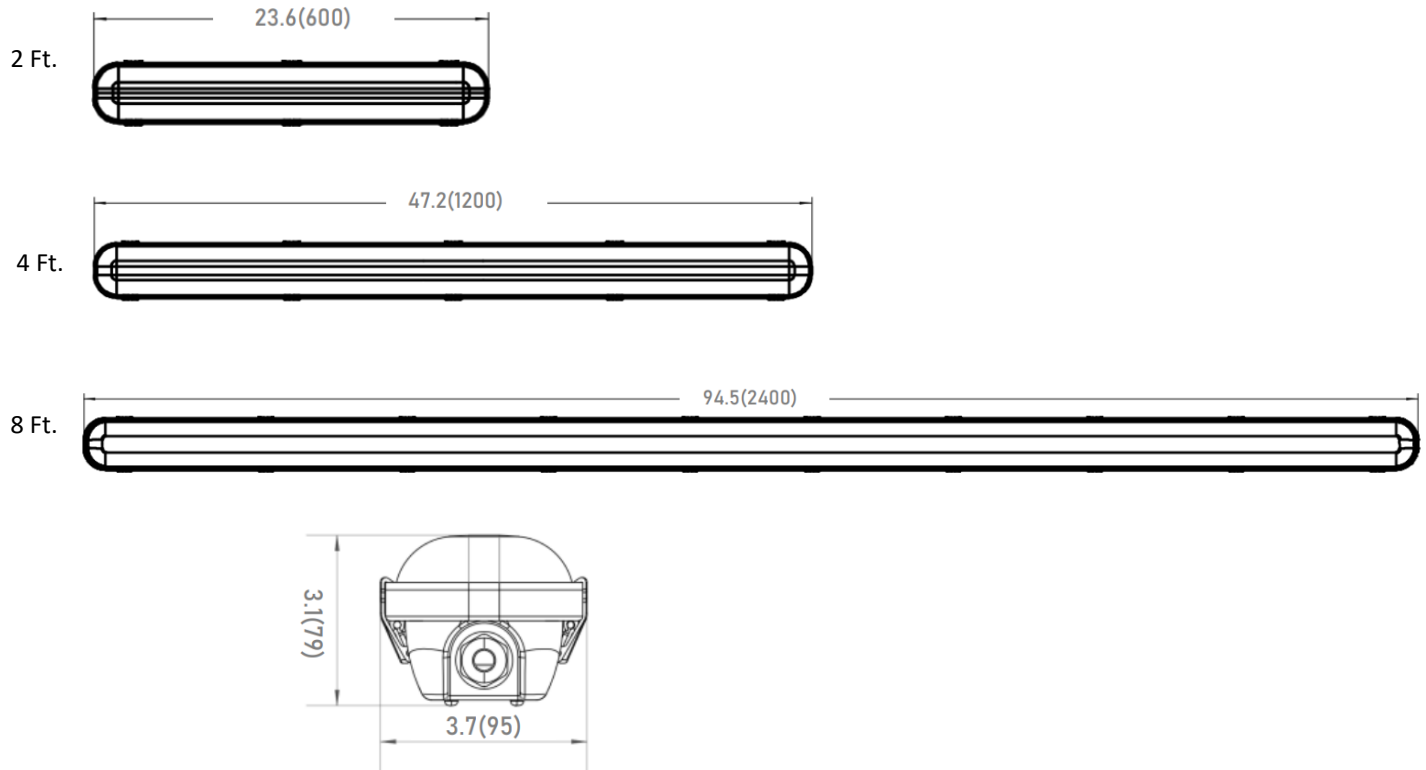
efficiency. illuminated.



SENSOR READY G2 VAPOR TIGHT

JAYKAL

DIMENSIONS



Width and Height

Specifications are typical values and may change without notification

efficiency. illuminated.