



SENSOR READY G2STR-T LUMINAIRE

JAYKAL

PROJECT NAME:

JAYKAL LED SOLUTIONS, INC.

www.jaykal.net

21499 Baltimore Ave.

Georgetown, DE 19947

(P) 302-295-0015

(F) 302-295-0016

PROJECT NOTES:

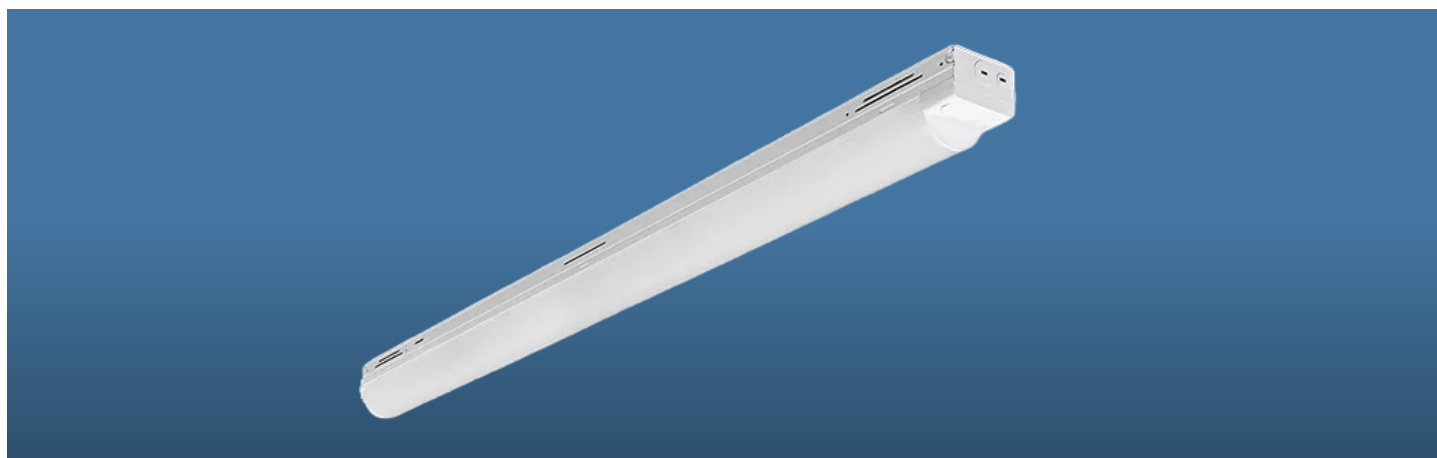
PRODUCT DESCRIPTION

Jaykal's new sensor ready design enables sensors to be installed by simply plugging in the sensor. If no controls are needed now, they may be added later, with a simple plugin installation. The fixture is suitable for commercial and retail applications.

Wattage and color selectability is standard, allowing field tuning to meet changing project requirements. It features three wattage presets and three color presets and is DLC listed.

FEATURES

- Wattage and CCT Selectable
- CCT: 3500K/4000K/5000K Selectable
- 130 lm/W
- 0-10V Dimming, Dim to Off
- Sensor Ready



RoHS 
Compliant

cUL  **US**
LISTED



Revised 7/11/24

Specifications are typical values and may change without notification

efficiency. illuminated.

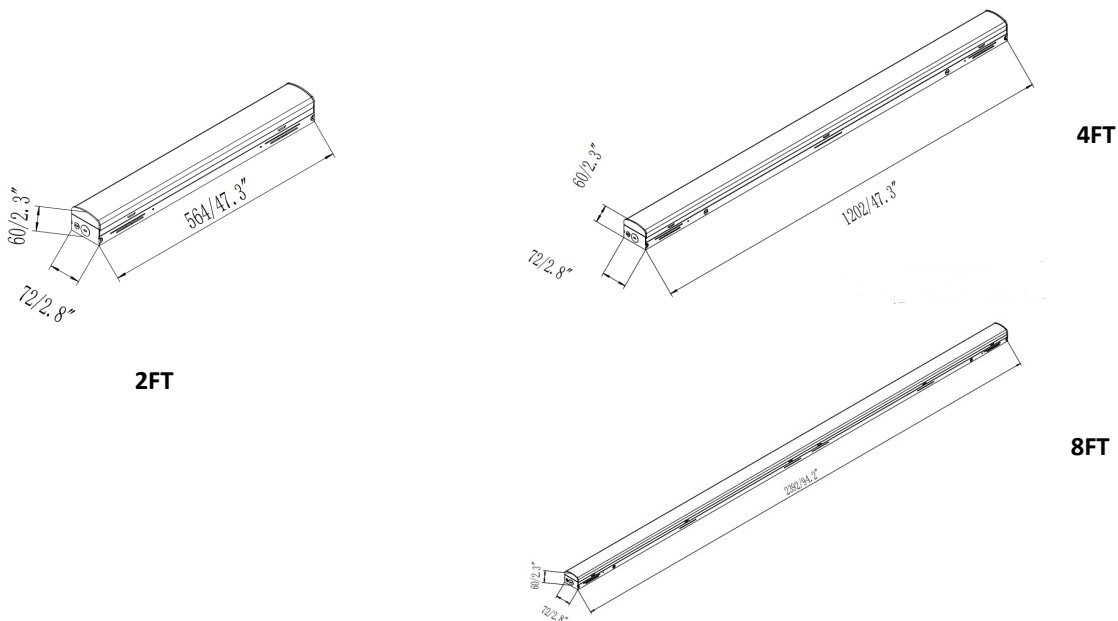


SENSOR READY G2STR-T LUMINAIRE

JAYKAL

SPECIFICATIONS TABLE							
MODELS	JLS-G2STR-T						
INPUT VOLTAGE	120-277VAC 50/60Hz						
LENGTHS	2FT	4FT			8FT		
WATTAGE TYPE	M1	M1	M2	M3	M1	M2	M3
WATTAGE	15W/20W/25W	25W/30W/35W	25W/30W/40W	34W/38W/45W	38W/46W/54W	55W/60W/65W	65W/75W/90W
EFFICACY	130lm/W						
LUMENS	1,950/3,000/3,250	3,250/3,900/4,550	3,250/3,900/5,200	4,420/4,940/5,850	4,940/5,980/7,020	7,150/7,800/8,450	8,450/9,750/11,700
L70 HOURS	100,000 hrs. +						
POWER FACTOR	>0.9						
DRIVER	Driver includes dimming control wiring for 0-10V dimming systems. The dim-to-off voltage threshold of optional 12V AUX integrated driver ranges from 0.1V to 0.5V						
THD	<20%						
CRI	>80						
CCT	MCCT (3500K/4000K/5000K Selectable)						
OPER. TEMP.	-20°C (-4°F) - 50°C (122°F)						
HOUSING	Sheet Metal Stamping						
UL RATING	Damp Location						

DIMENSIONS (Unit : mm/Inch)



Specifications are typical values and may change without notification

efficiency. illuminated.



SENSOR READY G2STR-T LUMINAIRE

JAYKAL

Ordering Guide

MODEL	SIZE	WATTAGE	CCT	EM	TAA
JLS-G2STR-T	2 = 2FT	M1 = 15W/20W/25W	MCCT = 3500K/4000K/5000K	N = None EM = 8W Integrated	[TAA] = Laos
	4 = 4FT	M1 = 25W/30W/35W			
		M2 = 25W/30W/40W M3 = 34W/38W/45W			
8 = 8FT	M1 = 38W/46W/54W M2 = 55W/60W/65W M3 = 65W/75W/90W				

Accessories (SOLD SEPARATELY)

MOUNTING OPTIONS	
DESCRIPTION	MODEL NUMBER
Surface Mounting Kit	JLS-G2STR-T-SM
Cable Suspension Mounting Kit	JLS-G2STR-T-CS
V-Hooks & Chain Mounting Kit	JLS-G2STR-T-CM
Row Connector	JLS-G2STR-T-RC
Right Angle Connector Kit	JLS-G2STR-T-RA

Compatible Controls Guide

BRAND	MODEL	SENSOR TYPE
LumaLinx	JLS-LL-IFS06R	ESSENTIAL
LumaLinx	JLS-LL-RM-51	REMOTE CONTROL PROGRAMMER
LumaLinx	JLS-LLE-IFS108.C1	ENHANCED

Specifications are typical values and may change without notification

efficiency. illuminated.