



G2STR-T LINEAR LUMINAIRE

JAYKAL

PROJECT NAME:

JAYKAL LED SOLUTIONS, INC.

www.jaykal.net

21499 Baltimore Ave.

Georgetown, DE 19947

(P) 302-295-0015

(F) 302-295-0016

PROJECT NOTES:

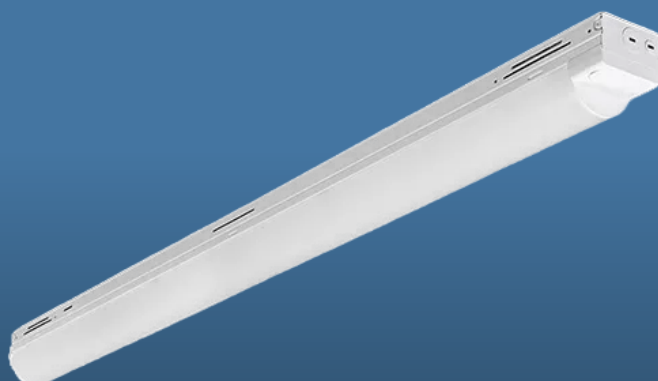
PRODUCT DESCRIPTION

Jaykal's new sensor ready design enables sensors to be installed by simply plugging in the sensor. If no controls are needed now, they may be added later, with a simple plugin installation. The fixture is suitable for commercial and retail applications.

Wattage and color selectability is standard, allowing field tuning to meet changing project requirements. It features three wattage presets and three color presets and is DLC listed.

FEATURES

- Wattage and CCT Selectable
- CCT: 3500K/4000K/5000K Selectable
- 130 lm/W
- 0-10V Dimming, Dim to Off
- Sensor Ready



Revised 3/18/25

Specifications are typical values and may change without notification

efficiency. illuminated.

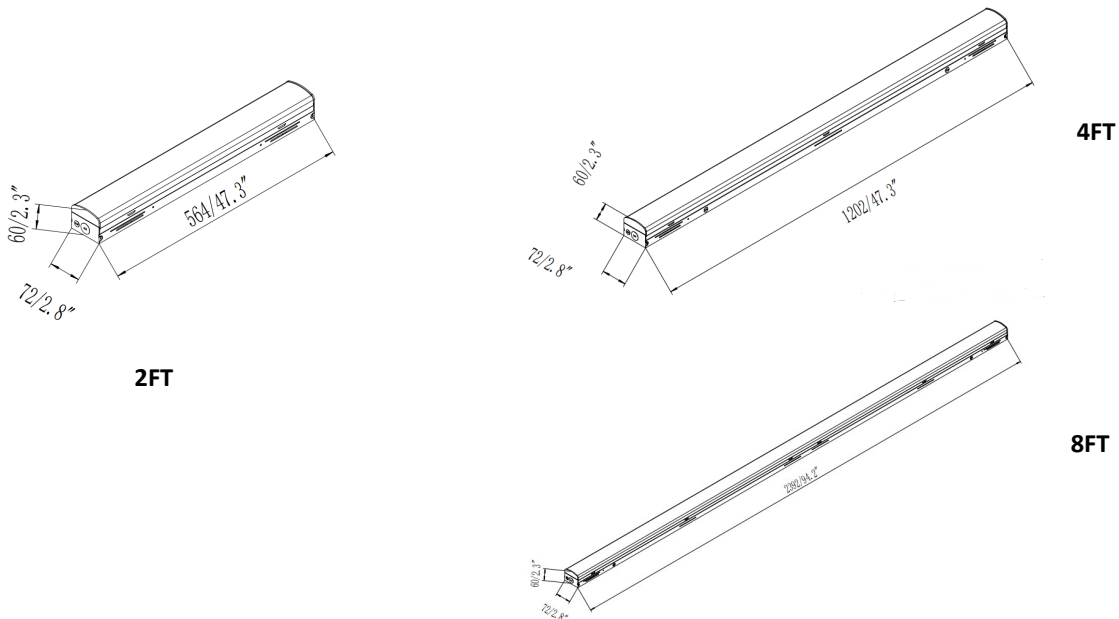


G2STR-T LINEAR LUMINAIRE

JAYKAL

SPECIFICATIONS TABLE							
JLS-G2STR-T							
INPUT VOLTAGE	120-277VAC 50/60Hz						
LENGTHS	2FT	4FT			8FT		
WATTAGE TYPE	M1	M1	M2	M3	M1	M2	M3
WATTAGE	15W/20W/25W	25W/30W/35W	25W/30W/40W	34W/38W/45W	38W/46W/54W	55W/60W/65W	65W/75W/90W
EFFICACY	130lm/W						
LUMENS	1,950/3,000/3,250	3,250/3,900/4,550	3,250/3,900/5,200	4,420/4,940/5,850	4,940/5,980/7,020	7,150/7,800/8,450	8,450/9,750/11,700
L70 HOURS	100,000 hrs. +						
POWER FACTOR	>0.9						
DRIVER	Driver includes dimming control wiring for 0-10V dimming systems. The dim-to-off voltage threshold of optional 12V AUX integrated driver ranges from 0.1V to 0.5V						
THD	<20%						
CRI	>80						
CCT	MCCT (3500K/4000K/5000K Selectable)						
OPER. TEMP.	-20°C (-4°F) - 50°C (122°F)						
HOUSING	Sheet Metal Stamping						
UL RATING	Damp Location						

DIMENSIONS (Unit: mm/Inch)



Specifications are typical values and may change without notification

efficiency. illuminated.



G2STR-T LINEAR LUMINAIRE

JAYKAL

Ordering Guide

MODEL	SIZE	WATTAGE	CCT	EM	TAA
JLS-G2STR-T	2 = 2FT	M1 = 15W/20W/25W	MCCT = 3500K/4000K/5000K	N = None EM = 8W Integrated	[TAA]
		M1 = 25W/30W/35W			
	4 = 4FT	M2 = 25W/30W/40W			
		M3 = 34W/38W/45W			
	8 = 8FT	M1 = 38W/46W/54W			
		M2 = 55W/60W/65W M3 = 65W/75W/90W			

Accessories (SOLD SEPARATELY)

MOUNTING OPTIONS	
MODEL NUMBER	DESCRIPTION
JLS-G2STR-T-SM	Surface Mounting Kit
JLS-G2STR-T-CS	Cable Suspension Mounting Kit
JLS-G2STR-T-CM	V-Hooks & Chain Mounting Kit
JLS-G2STR-T-RC	Row Connector
JLS-G2STR-T-RA	Right Angle Connector Kit

Compatible Controls

Controls		
BRAND	MODEL	SENSOR TYPE
LumaLinx	JLS-ESS-IFS06R.B1	Stand Alone
LumaLinx	JLS-ESS-RM51	Remote Control Programmer
LumaLinx	JLS-LLE-IFS108.B2	Bluetooth

Specifications are typical values and may change without notification

efficiency. illuminated.