

JLS-ESS-IFS06R PANEL SENSOR		JAYKAL
PROJECT NAME:	<b>JAYKAL LED SOLUTIONS, INC.</b> <a href="http://www.jaykal.net">www.jaykal.net</a> 21499 Baltimore Ave. Georgetown, DE 19947 (P) 302-295-0015 (F) 302-295-0016	
PROJECT NOTES:		

PRODUCT DESCRIPTION
<p>JLS-ESS-IFS06R is a PIR sensor that combines occupancy sensing with photocell. Compact design to fit various style luminaires.</p>

FEATURES
<ul style="list-style-type: none"> <li>Suitable for low profile luminaires</li> <li>Compact oval-shaped PIR sensor with integrated photocell and 2.5mm male audio connector enables easy plug and play integration for luminaire level lighting control (LLLC)</li> <li>Operates on 12V DC supplied by a 0-10V LED driver</li> <li>Integrated photocell enables dusk-to-dawn operation independent of motion Detection.</li> <li>Selectable modes for various applications via the JLS-ESS-RM51 remote controller</li> <li>Auto-calibrates in Daylight Harvesting mode to reach target illumination by measuring combined natural and electric light</li> </ul>



## JLS-ESS-IFS06R PANEL SENSOR

JAYKAL

### SPECIFICATIONS TABLE

#### JLS-ESS-IFS06R

INPUT VOLTAGE	12VDC ±1V
INPUT CURRENT	9mA Max
INPUT POWER	<0.1W
SINKING CURRENT	≤10mA
DIMMING	Class 2, 0-10V DC 10mA Max
SINKING CURRENT	10mA Max
HOUSING MATERIAL	UL 94-5VA
DETECTION RANGE	32ft Max
MOUNTING HEIGHT	15ft Max
INDOOR/OUTDOOR USE	Indoor Use Only
OPERATING TEMPERATURE	-30°C to 65°C, -22°F to 149°F
STORAGE TEMPERATURE	-30°C to 85°C, -22°F to 185F
IP RATING	IP20
COLOR	White
WARRANTY	5 Years
COMPLIANCE	UL8750, RoHS
SAFETY	cULus Listed E504054 Low Bay Sensor

Due to our continued efforts to improve our products, specifications are subject to change without notice.

## Ordering Guide

MODEL	Description
JLS-ESS-IFS06R.B1	Fixture Built-in Low Bay Sensor
JLS-ESS-LBL2	Low bay lens, Mount Height 15ft Max, coverage 32ft Max, For Minor Movement

*Specifications are typical values and may change without notification*

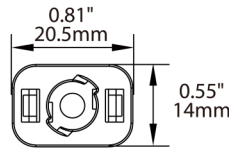
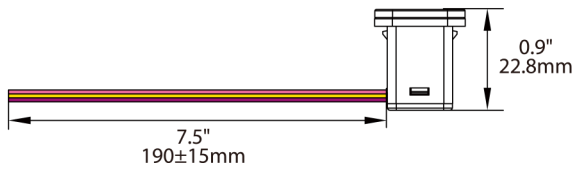
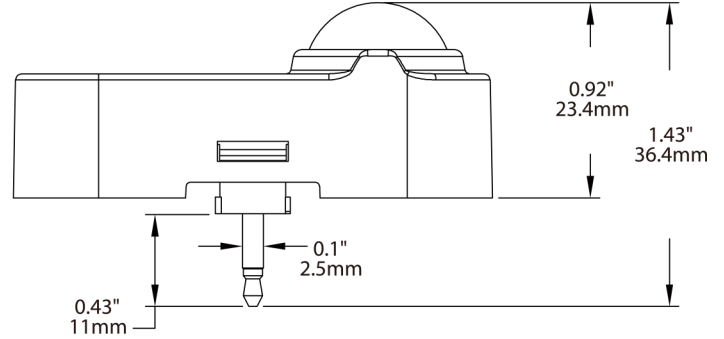
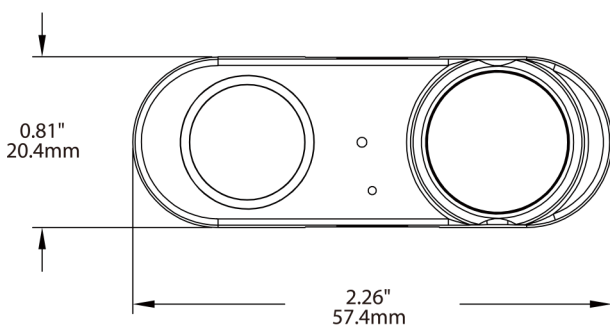
**efficiency. illuminated.**

**JLS-ESS-IFS06R PANEL SENSOR**

**JAYKAL**

**DIMENSIONS**

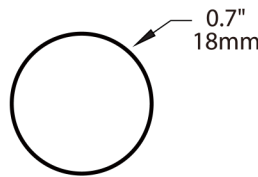
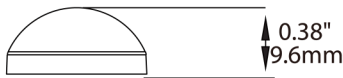
Unit:inch/mm



**COVERAGE**

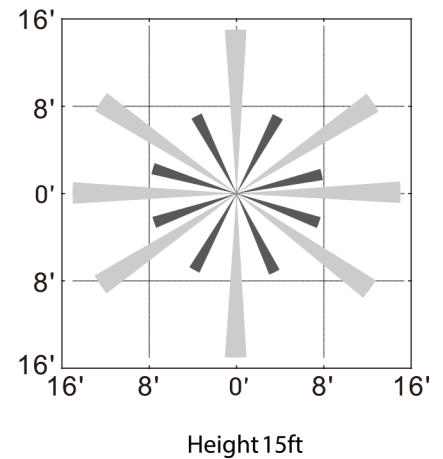
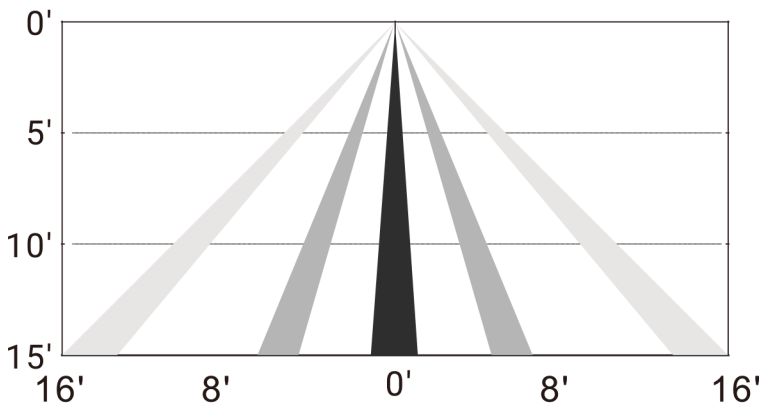
Unit:inch/mm

LBL2



Coverage Side View

Coverage Top View



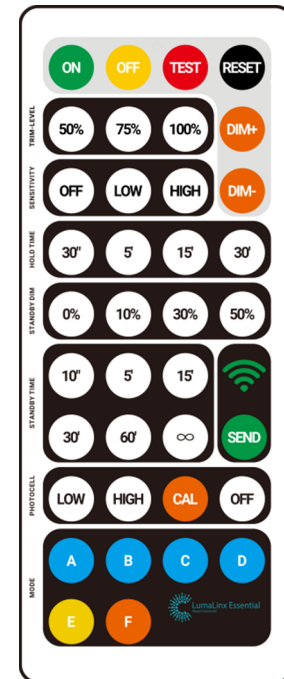
*Specifications are typical values and may change without notification*

# JLS-ESS-IFS06R PANEL SENSOR

**JAYKAL**

## REMOTE GUIDE

ON	Turns ON luminaires.
OFF	Turns OFF luminaires.
TEST	Test mode will last 5 minutes , then return to the previous setting. In test mode, the hold time is 2 seconds , SDL is 50% and the standby time is 2 seconds .
RESET	Trim-High = 100%, Sensitivity = High, T1 = 5 min, Standby Dim = 30% T2 = 60 min, Photocell = OFF.
DIM+/-	Remote will manually dim the luminaire up or down in increments of 0.5 volts . Smooth dimming should occur when holding the dimming button.
TRIM-LEVEL	Set maximum threshold value at 50% 75% or 100%.
SENSITIVITY	OFF (PIR OFF, Enter PC ON/OFF function ) / LOW (50%) / HIGH (100%).
HOLDTIME	Time of no occupancy after which the fixture goes to standby: 30s / 5 min / 15 min / 30 min.
FMODE DAYLIGHT HARVESTING	(Enable/Disable) Measures and sets a feature to allow the fixture to maintain a light level when turned ON.
STANDBY DIM	Select any standby dim level: 0%/ 10%/ 30%/ 50%
STANDBY TIME	10s / 5 min / 15 min / 30 min / 1h / ∞. "∞" means the standby time is infinite , and the fixture is effectively controlled by the daylight sensor.
PHOTOCELL	LOW (1fc) / HIGH (50fc) / CAL (Collects the current Lux Level) ON.
MODE	Set settings to a program profile ( A to F).
SEND	Send settings to the sensor.
DEFAULT MODE A	Trim-High = 100% Sensitivity = Low, T1 = 30 min, Standby Dim = 50% T2 = ∞, Photocell = CAL.
DEFAULT MODE B	Trim-High = 100% Sensitivity = Low, T1 = 30 min, Standby Dim = 50% T2 = 15 min, Photocell = CAL.
DEFAULT MODE C	Trim-High = 100% Sensitivity = Low, T1 = 30 min, Standby Dim = 50% T2 = 15 min, Photocell = OFF.
DEFAULT MODE D	Trim-Low = 50% Sensitivity = Low, T1 = 30 min, Standby Dim = 50% T2 = 30 min, Photocell = CAL.
DEFAULT MODE E	Manual Mode, Trim-High = 100%
DEFAULT MODE F	Daylight Harvesting, Trim-Low = 50% Sensitivity = Low, T1 = 15 min.



*Specifications are typical values and may change without notification*

**efficiency. illuminated.**