

PAR LED LAMP



JAYKAL

PROJECT NAME:

JAYKAL LED SOLUTIONS, INC.

www.jaykal.net

PROJECT NOTES:

21499 Baltimore Ave.

Georgetown, DE 19947

(P) 302-295-0015

FEATURES

- ◆ Wattage Options : 7W/11W/13W/15W
- ◆ CCT: 2700K/3000K/3500K/4000/5000K
- ◆ Input Voltage 120VAC
- ◆ Life (L70): 25,000+ Hours
- ◆ 5 Year Warranty, 10 Year Option
- ◆ Damp Location Rated



RoHS 
Compliant

Revised 10/7/23

Specifications are typical values and may change without notification

efficiency. illuminated.

PAR LED LAMP



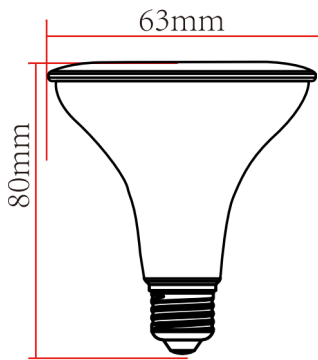
JAYKAL

SPECIFICATIONS TABLE

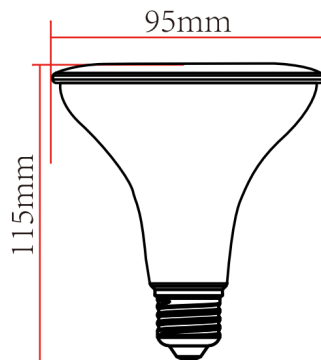
MODEL	WATTAGE	LUMENS	EFFICACY	PF	BASE	VOLTAGE	CCT PRESETS	CRI	OP. TEMP.	LIFE(L70)
JLS-PAR20-7-E26	7W	550lm	78lm/W	>0.7	E26	120V	2700K/3000K/4000K/5000K	>80	-20°- 40°	25,000
JLS-PAR30-11-E26	11W	850lm	77lm/W	>0.7	E26	120V	2700K/3000K/4000K/5000K	>80	-20°- 40°	25,000
JLS-PAR30-13-E26	13W	1,050lm	80lm/W	>0.7	E26	120V	2700K/3000K/4000K/5000K	>80	-20°- 40°	25,000
JLS-PAR30-15-E26	15W	1,250lm	83lm/W	>0.7	E26	120V	2700K/3000K/4000K/5000K	>80	-20°- 40°	25,000

DIMENSIONS

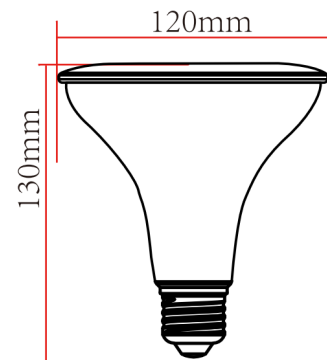
MODEL	DIMENSION
JLS-PAR20-7-E26	Φ63 x 80 mm / Φ2.48 x 3.15 inch
JLS-PAR30-11-E26	Φ95 x 115 mm / Φ3.74 x 4.53 inch
JLS-PAR30-13-E26	Φ120 x 130 mm / Φ4.72 x 5.12 inch
JLS-PAR30-15-E26	Φ120 x 130 mm / Φ4.72 x 5.12 inch



PAR20 - 7W



PAR30 - 11W



PAR38 - 13W/15W

ORDERING GUIDE

JLS-PAR30-11-840K-E26

MODEL	-	TYPE	-	WATTAGE	-	CCT	-	LAMP BASE
JLS		PAR20 = PAR20 Lamp PAR30 = PAR30 Lamp PAR38 = PAR38 Lamp		7 = 7W * 11 = 11W ** 13 = 13W *** 15 = 15W *** * Only for PAR20 ** Only for PAR30 *** Only for PAR38		827K = 2700K 830K = 3000K 835K = 3500K 840K = 4000K 850K = 5000K		E26 = E26 Base

Specifications are typical values and may change without notification

efficiency. illuminated.