



YARD/BARN Fixture—YD Series

JAYKAL

PROJECT NAME:

JAYKAL LED SOLUTIONS, INC.

www.jaykal.net

PROJECT NOTES:

21499 Baltimore Ave.

Georgetown, DE 19947

(P) 302-295-0015

(F) 302-295-0016

FEATURES

- ◆ Wattages Available: 20W/40W/50W/60W/70W
- ◆ Voltage Input 120-277VAC 50/60Hz
- ◆ Aluminum Construction
- ◆ Light Weight Design Makes Installation Effortless
- ◆ Photocell Control Available (Option)



RoHS 
Compliant

Revised 9/8/23

Specifications are typical values and may change without notification

efficiency. illuminated.

YARD/BARN Fixture—YD Series



JAYKAL

SPECIFICATIONS TABLE					
MODEL	JLS-YD				
INPUT VOLTAGE	120-277VAC 50/60Hz				
WATTAGE	20W	40W	50W	60W	70W
EFFICACY	145 lm/W				
LUMENS	2,900lm	5,800lm	7,250lm	8,700lm	10,150lm
BUG RATING	B1-U2-G0	B2-U2-G1	B2-U2-G1	B3-U2-G1	B3-U2-G1
POWER FACTOR	>0.9				
EFFICIENCY OF DRIVER	>88%				
DRIVER CLASS	Class I				
THD	<20%				
CRI	Ra>70				
L70 HOURS	>50,000				
CCT	3000K/4000K/5000K				
SURGE PROTECTION	L-N: 2KV L/N-PE: 4KV				
DIMMING	0-10V				
DIMMING POWER	<1mA				
OPERATIONAL TEMP.	-30°C to 45°C				
IP RATING	IP65				
HOUSING	Aluminum				
FCC	FCC Title 47 CFR Part 18 compliance				
CERTIFICATIONS	UL/Comply with DLC				

ORDERING GUIDE		EXAMPLE: JLS-YD-40-277-750K-B-D-P				
MODEL	WATTAGE	VOLTAGE	CCT	FINISH	DIMMING	CONTROL
JLS-YD	20 = 20 Watts 40 = 40 Watts 50 = 50 Watts 60 = 60 Watts 70 = 70 Watts	277 = 120-277VAC	730K = 4000K 740K = 4000K 750K = 5000K	B = Black BR = Bronze	D = Dimming N = No dimming	Blank = No option P = Photocell

Specifications are typical values and may change without notification

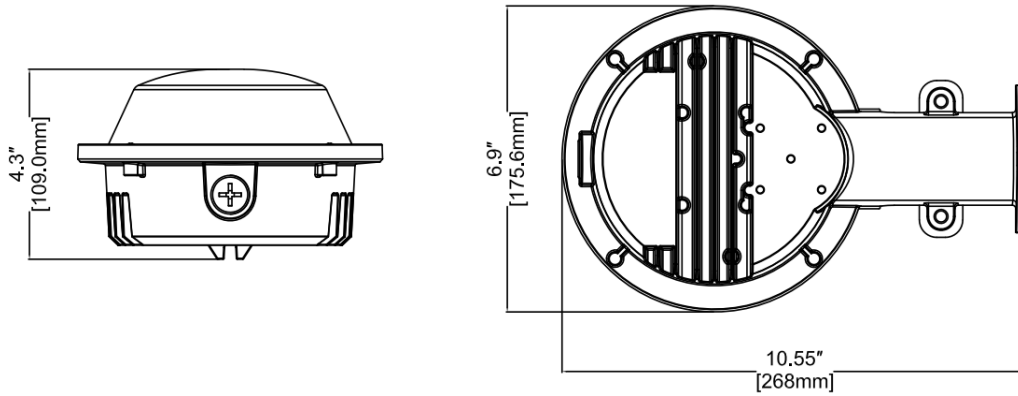
efficiency. illuminated.

YARD/BARN Fixture—YD Series

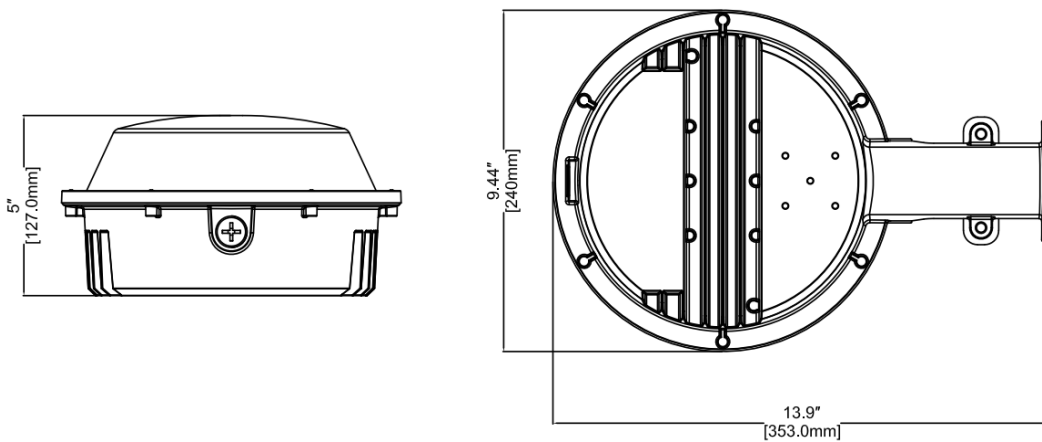


JAYKAL

DIMENSIONS



20W/40W



50W/60W/70W

Specifications are typical values and may change without notification

efficiency. illuminated.