



# G2 ADJUSTABLE TILT WALL PACK

**JAYKAL**

PROJECT NAME:

**JAYKAL LED SOLUTIONS, INC.**

[www.jaykal.net](http://www.jaykal.net)

PROJECT NOTES:

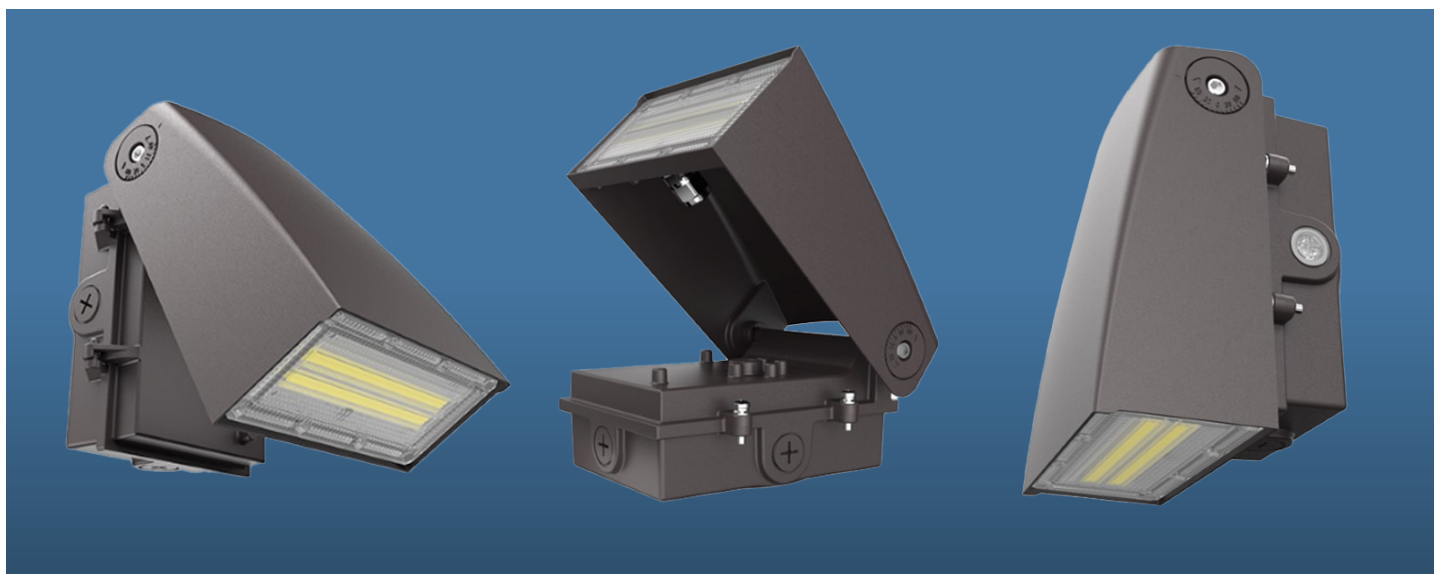
21499 Baltimore Ave.  
Georgetown, DE 19947  
(P) 302-295-0015  
(F) 302-295-0016

## PRODUCT DESCRIPTION

This G2LPFC combines high efficiency, adjustability, and optional controls to meet diverse lighting needs in commercial and residential settings, providing both functionality and comfort.

## FEATURES

- Lumen Package: 130lm/W
- Input Voltage 120 - 347VAC
- Adjustable 0-90°
- Glare Free Lens
- Photocell and Motion Sensor Control Available (Option)



**RoHS**   
Compliant

Revised 12/2/24

*Specifications are typical values and may change without notification*

**efficiency. illuminated.**



# G2 ADJUSTABLE TILT WALL PACK

**JAYKAL**

SPECIFICATIONS TABLE			
MODEL	G2LPFC-M1	G2LPFC-M2	G2LPFC-M3
WATTAGE	40W/30W/20W/10W	80W/60W/40W/20W	120W/100W/60W/30W
LUMENS	5,200/3,900/2,600/1,300	10,400/7,800/5,200/2,600	15,600/13,000/7,800/3,900
INPUT VOLTAGE	120-347VAC		
BUG RATING	B2-U1-G1	B3-U2-G1	B3-U2-G2
POWER FACTOR (PF)	>0.95		
EFFICACY	130lm/W		
OPERATIONAL TEMP.	-30°C - +45°C		
CRI	>80		
CCT	MCCT(3000K / 4000K / 5000K Selectable)		
DIMMING	0-10V		
DIMMING POWER RATING	<1mA		
HOUSING MATERIAL	Die-Cast Aluminum		
OPTIONS	Photocell / Motion Sensor		
DIFFUSER	Plastic		
HOUSING COLOR	Dark Bronze		
IP RATING	IP65 / Wet Location		
DIMENSIONS (in.)	6.5L x 5.14W x 7.77H	8.5L x 6.07W x 9.24H	10.52L x 6.32W x 10.7H
LIFE (L70)	>100,000 Hours		
FCC	FCC Title 47 CFR Part 18 compliance		
CERTIFICATION	ETL, DLC		

ORDERING INFORMATION		EXAMPLE: JLS-G2LPFC-M2-MCCT-PC				
MODEL	-	WATTAGE	-	CCT	-	OPTIONS
JLS-G2LPFC		<b>M1</b> = 40W/30W/20W/10W <b>M2</b> = 80W/60W/40W/20W <b>M3</b> = 120W/100W/60W/30W		<b>MCCT</b> = 3000K/4000K/5000K Selectable		<b>Blank</b> = No extra option  <b>PC</b> = Photocell  <b>M</b> = Motion Sensor

*Specifications are typical values and may change without notification*

**efficiency. illuminated.**

# G2 ADJUSTABLE TILT WALL PACK

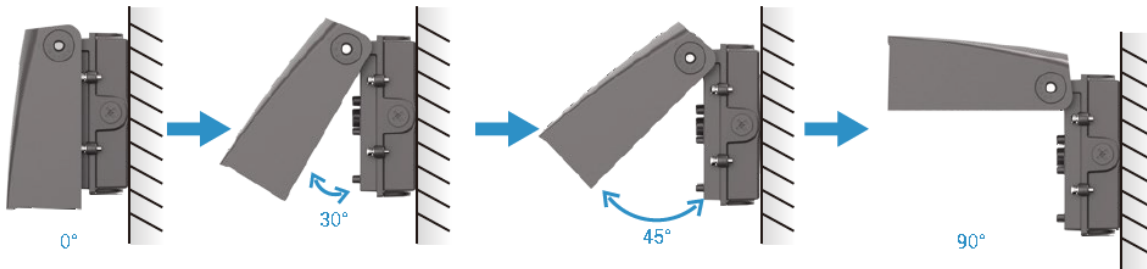


JAYKAL

## FEATURES

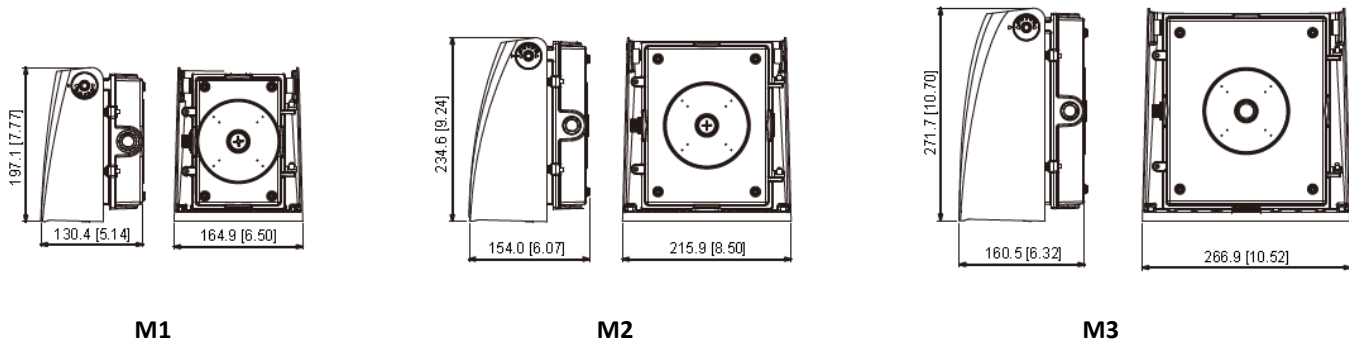


## ADJUSTABLE TILT FROM 0 TO 90 DEGREES



## DIMENSIONS

Unit : mm/inch



Specifications are typical values and may change without notification

efficiency. illuminated.