

240W-1440W SPORTS LIGHT



JAYKAL

PROJECT NAME:

JAYKAL LED SOLUTIONS, INC.

www.jaykal.net

PROJECT NOTES:

21499 Baltimore Ave.

Georgetown, DE 19947

(P) 302-295-0015

FEATURES

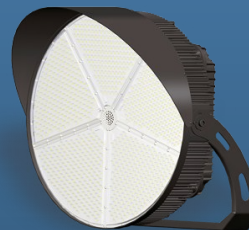
- Wattages: 240W-1440W
- CCT: 4000K, 5000K, 5700K
- 138-153LM/W
- 100V-277VAC / 347-480VAC
- IP Rating: IP66
- Impact Rating: IK10
- Aluminum Powder Coated Fixture
- 304 Stainless Steel Hardware Optional
- Meets 3G Vibration Standards
- Finish: Bronze
- 5 Year Warranty, 10 Year Available



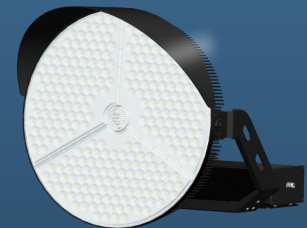
240W - 535W



550W - 790W



937W - 1200W



1420W



Revised 8/2/24

Specifications are typical values and may change without notification

efficiency. illuminated.

240W-1440W SPORTS LIGHT



JAYKAL

SPECIFICATIONS TABLES

JLS68103-HPAL	240	320	400	500	600	750	965	1200	1440
INPUT VOLTAGE	100-277VAC / 347-480VAC								
WATTAGE	240W	320W	400W	500W	600W	750W	965W	1,200W	1,440W
EFFICACY	153lm/W	153lm/W	152lm/W	151lm/W	152lm/W	151lm/W	147lm/W	148lm/W	142lm/W
LUMENS@4000K	36,720	48,960	60,800	75,500	91,200	113,250	141,855	177,6000	204,480
L70 HOURS	50,000								
POWER FACTOR	>0.95								
CRI	70								
THD	<20%								
CCT	4000K/5000K/5700K								
OPERATIONAL TEMP.	-40°C - 40°C								
DIMMING CONTROL	0-10V								
0-10V SINK CURRENT	<5mA								
FLICKER INDEX	<5%								
OPTICS	20°/40°/60°/90°					21°/30°/40°/60°			
HOUSING MATERIAL	A1070 Pure Aluminum					ADC 12			
IP RATING	IP66								
WEIGHT	29.54 lbs.	30.36 lbs.	32.12 lbs.	32.56 lbs.	42.24 lbs.	44.31 lbs.	62.70 lbs.	70.4 lbs.	84.7 lbs.
SURGE PROTECTION	20kV/40kV								
EPA RATING	0.87 ft ²				0.99 ft ²			1.37 ft ²	
CERTIFICATIONS	ETL/DLC/CE								
FCC COMPLIANCE	FCC 47, CFR Part 18								

ORDERING GUIDE

EXAMPLE: JLS-HPAL-300-277-740K-I-D-BR-40-V

MODEL	WATTAGE	VOLTAGE	CCT	DRIVER	DIMMING	FINISH	SPD	BEAM ANGLE	MOUNTING	OPTIONS
JLS-HPAL	240 = 240W 320 = 320W 400 = 400W 500 = 500W 600 = 600W 750 = 750W 965 = 965W 1200 = 1200W 1440 = 1440W	277 = 100-277VAC 480 = 347-480VAC	70CRI (Std.) 740K = 4000K 750K = 5000K 757K = 5700K	I = Integral Driver R = Remote Driver	D = 0-10V (Std.) Blank = Non-Dim	BR = Bronze* WH = White BK = Black *(Std.)	Blank = 20KA* 1 = 40kV *(Std.)	240W-500W 20 = 20° 40 = 40° 60 = 60° 90 = 90° 600W-1440W 21 = 21° 30 = 30° 40 = 40° 60 = 60°	Blank = Yoke Bracket (Default) SF = Slip Fitter Bracket * U = U-Type Bracket * Only Available for 240W—500W	Blank = No Options PC = Photocell V = Visor

ACCESSORIES

DESCRIPTION	PART NUMBER	NOTES
VISOR	HPAL - VISOR	Light Visor.
LASER AIMING DEVICE	HPAL - LASER	Laser Aiming Tool

Specifications are typical values and may change without notification

efficiency. illuminated.

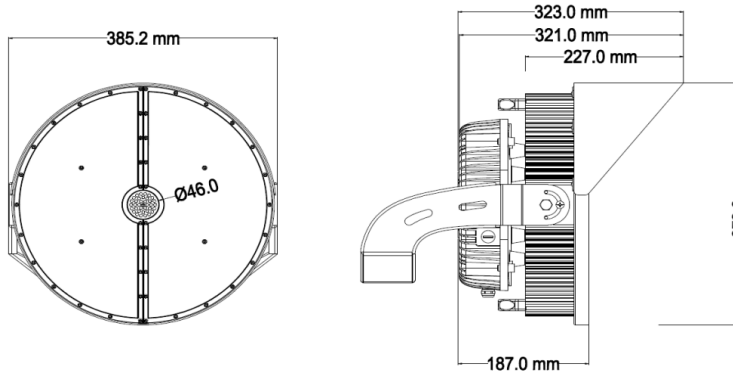
240W-1440W SPORTS LIGHT



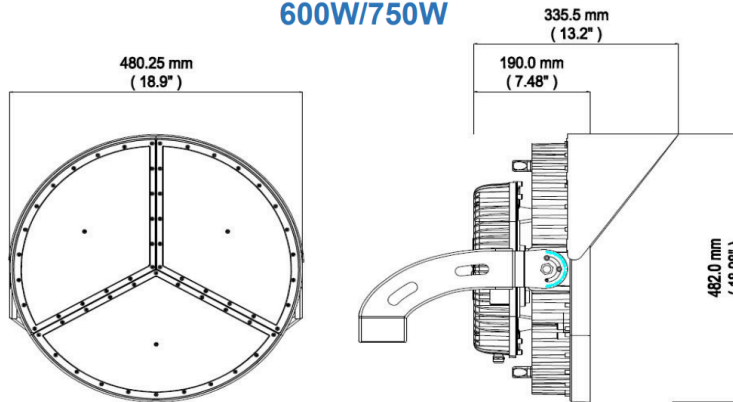
JAYKAL

DIMENSIONS (Unit : mm)

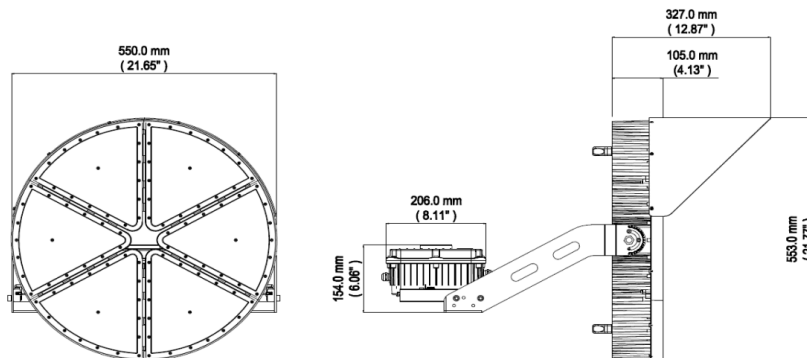
240W/320W/400W/500W



600W/750W



960W/965W/1200W/1440W



Specifications are typical values and may change without notification

efficiency. illuminated.