



## G2 EMERGENCY FOR INDOOR USE

# JAYKAL

PROJECT NAME:

**JAYKAL LED SOLUTIONS, INC.**

[www.jaykal.net](http://www.jaykal.net)

PROJECT NOTES:

21499 Baltimore Ave.

Georgetown, DE 19947

(P) 302-295-0015

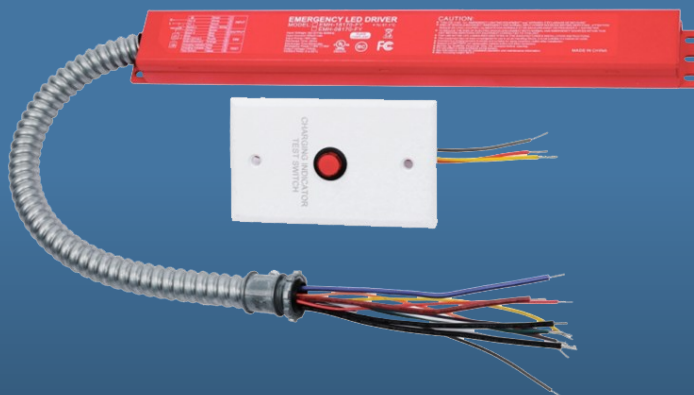
(F) 302-295-0016

### PRODUCT DESCRIPTION

Provides up to 90 minutes of backup power for fixtures with one LED driver in emergency lighting applications.

### FEATURES

- Listed to UL924 and tested to CSA C22.2 NO.141
- Field or factory installation
- Low energy consumption CEC compliance
- Constant output power
- Self-testing
- Battery : Over Temperature Protection / Over Charge Protection / Over Discharge Protection



Revised 12/2/24

*Specifications are typical values and may change without notification*

**efficiency. illuminated.**

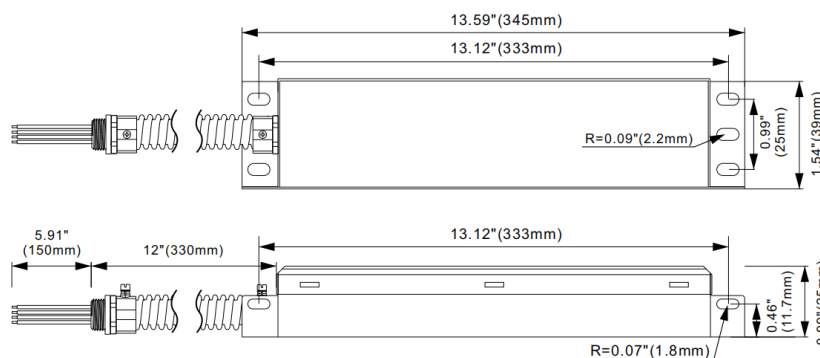


## G2 EMERGENCY FOR INDOOR USE

JAYKAL

MODEL	G2EM
INPUT VOLTAGE	100-347VAC 50/60Hz
INPUT CURRENT	150mA Max
OUTPUT WATTAGE	8W/18W
OUTPUT VOLTAGE	170VDC
BATTERY TYPE	Li-ion
EMERGENCY RUN TIME	90 Minutes
RECHARGE TIME	24 Hours
HOUSING COLOR	Red
AMBIENT TEMP.	0°C - 50°C
ENVIRONMENT	Indoor/Damp Locations
IP RATING	IP20
HOUSING MATERIAL	Sheet Metal
WARRANTY	5 Years
WEIGHT	1.98 lbs./ 0.9 Kgs.
DIMENSIONS	L 13.59" X W 1.54" X H 0.99"
L70 HOURS	>100,000 Hours+
CERTIFICATIONS	ETL, FCC, ROHS, IK08, IP65

## DIMENSIONS



## ORDERING INFORMATION

JLS6810D-G2EM-08170-HY

MODEL	-	WATTAGE	-	VOLTAGE
JLS6810D-G2EM		08170 = 8W 170VDC 18170 = 18W 170VDC		HY = 347VAC

Specifications are typical values and may change without notification

efficiency. illuminated.

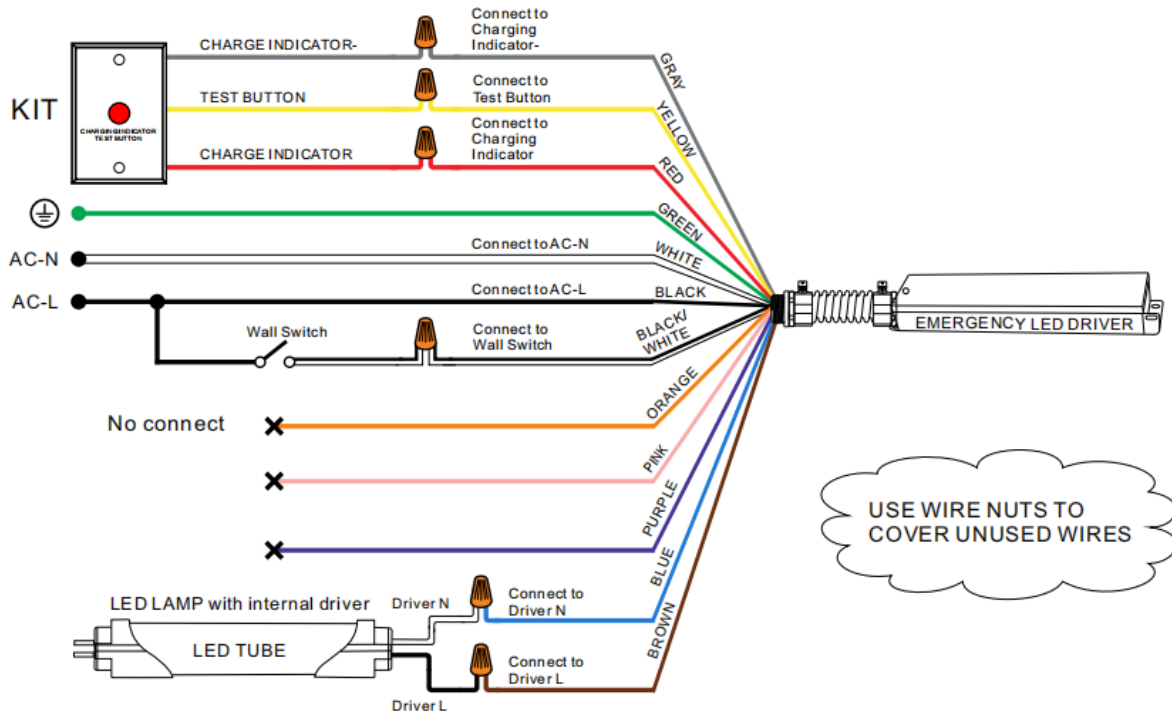


# G2 EMERGENCY FOR INDOOR USE

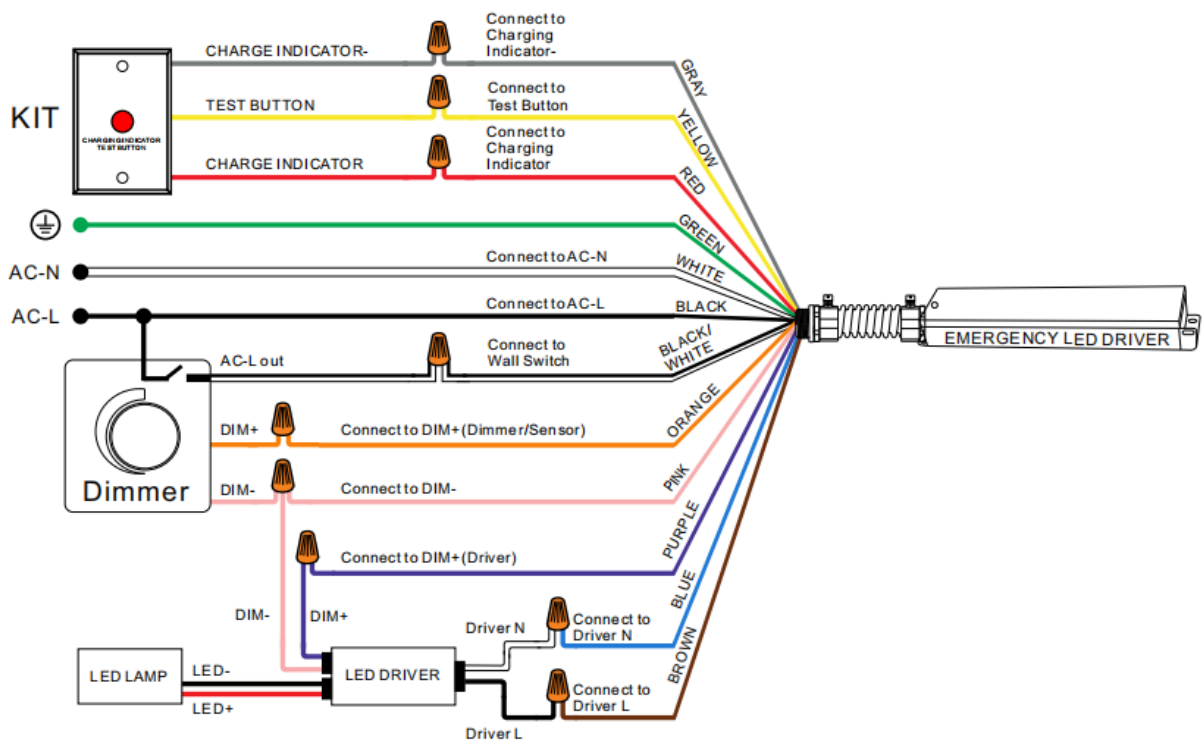
JAYKAL

## WIRING DIAGRAM

### A : FOR LED FIXTURE POWER ≤ EMERGENCY LED DRIVER



### B : FOR LED FIXTURE WITH DIMMING WIRES



Specifications are typical values and may change without notification

efficiency. illuminated.