



## SENSOR READY JLS-G4LHB LINEAR HIGHBAY

## JAYKAL

PROJECT NAME:

**JAYKAL LED SOLUTIONS, INC.**

[www.jaykal.net](http://www.jaykal.net)

PROJECT NOTES:

21499 Baltimore Ave.

Georgetown, DE 19947

(P) 302-295-0015

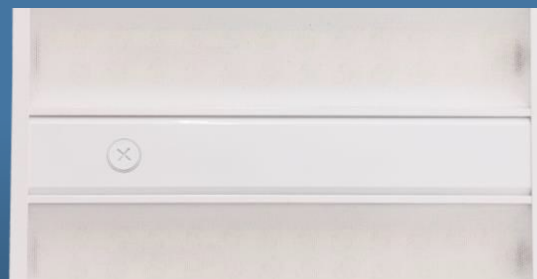
### PRODUCT DESCRIPTION

Jaykal's new sensor ready design enables sensors to be installed by simply plugging in the sensor. If no controls are needed now, they may be added later, with a simple plugin installation. The fixture is suitable for commercial and retail applications.

Wattage and color selectability is standard, allowing field tuning to meet changing project requirements. It features three wattage presets and three color presets and is DLC listed.

### FEATURES

- Wattage and CCT Adjustable
- Voltage: 100-277VAC
- CCT: 4000K/5000K Selectable
- 150 lm/W
- Sensor Ready
- Emergency Back Up Option



**RoHS**   
Compliant

**cUL<sup>®</sup>US**  
**LISTED**



Revised 7/12/24

*Specifications are typical values and may change without notification*

**efficiency. illuminated.**



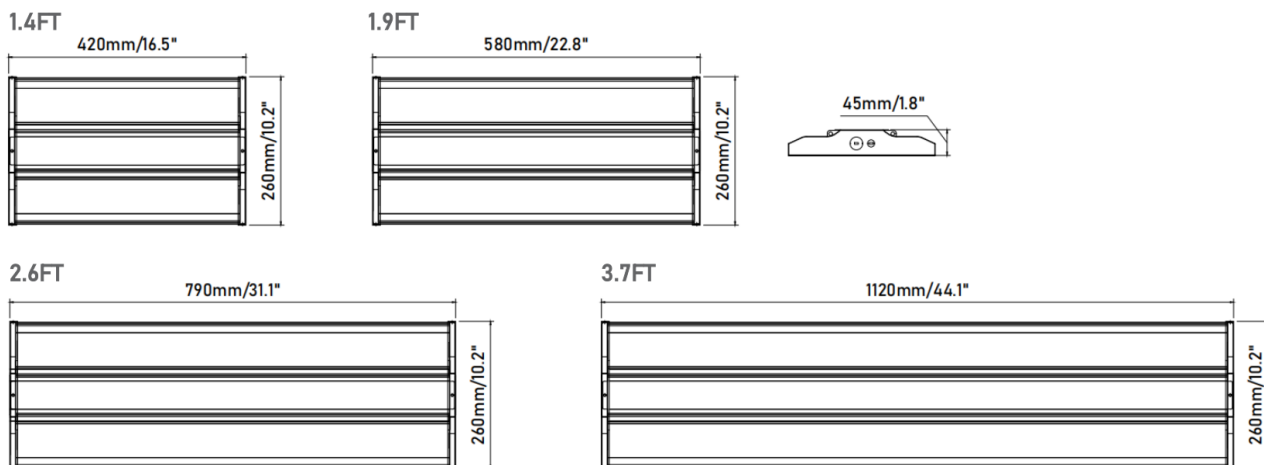
# SENSOR READY JLS-G4LHB LINEAR

JAYKAL

## SPECIFICATIONS TABLE

MODELS	JLS-G4LHB					
LENGTH	1.4FT		1.9FT		2.6FT	3.7FT
TYPE	M1	M2	M1	M2	M1	M1
WATTAGE	78W/92W/115W	100W/115W/135W	135W/155W/185W	155W/185W/200W	200W/230W/270W	270W/330W/400W
INPUT VOLTAGE	120-277VAC 50/60hz					
EFFICACY	150 lm/W					
LUMEN	11,700/13,800/17,250	17,250/20,250/23,250	20,250/23,250/27,750	23,250/27,750/30,000	30,000/34,500/40,500	40,500/51,000/60,000
POWER FACTOR	>0.9					
THD	<20%					
DRIVER	Driver includes dimming control wiring for 0-10V dimming systems. The dim-to-off voltage threshold of optional 12V AUX integrated driver ranges from 0.1V to 0.5V.					
SURGE	L-N: 6kV; L/N-GND: 6kV					
PROTECTION	Over Temperature Protection					
L70 HOURS	>100,000 Hours					
CRI	>80					
CCT	4000K / 5000K Dual CCT Selectable					
OP. TEMP.	-20°C (-4°F) - 50°C (122°F) When fixture is suspended at least 18" from the ceiling.					
LENS	90°					
HOUSING	Sheet Metal Stamping, Polycarbonate Optical Glare Control Lens					
ENVIRONMENT	Damp Locations					

## DIMENSIONS (Unit : mm/Inch)



Specifications are typical values and may change without notification

efficiency. illuminated.



# SENSOR READY JLS-G4LHB LINEAR HIGHBAY

JAYKAL

## Ordering Guide

MODEL	SIZE	WATTAGE	CCT	VOLTAGE	EMERGENCY	COO
JLS-G4LHB	14 = 1.4FT	M1 = 78W/92W/115W M2 = 100W/115W/135W	DCCT = 4000K/5000K	277 = 120-277V 480 = 277-480V	N = None EM = 24W Integrated	[TAA] = Laos
	19 = 1.9FT	M1 = 135W/155W/185W M2 = 155W/185W/200W				
	26 = 2.6FT	M1 = 200W/230W/270W				
	37 = 3.7FT	M1 = 270W/340W/400W				

ACCESSORIES	
JLS-LHB-HCM	V Hooks & Chain Suspension Mounting Kit (Figure 1)
JLS-LHB-CSM	Cable Suspension Mount Kit (Figure 2)
JLS-LHB-PHB	Pendant Hanger Installation Box (Figure 3)
JLS-LHB-SMK	Surface Mount Kit (Figure 4)
JLS-LHB-WG	Wire Guard (Figure 5)

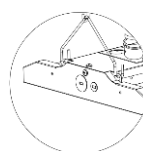


Figure 1

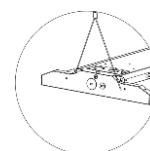


Figure 2

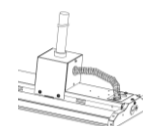


Figure 3

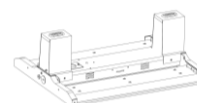


Figure 4



Figure 5

## Compatible Controls Guide

BRAND	MODEL	SENSOR TYPE
LumaLinx	JLS-LL-EFS06R-AUX.A4	ESSENTIAL
LumaLinx	JLS-LL-RM-51	REMOTE CONTROL PROGRAMMER
LumaLinx	JLS-LLE-EFS106-AUX.B1	ENHANCED
LumaLinx	JLS-LLE-WPPA102-AUX.B1	ENHANCED NODE CONTROLLER

Specifications are typical values and may change without notification

efficiency. illuminated.