

## 5 BUTTON BATTERY POWERED BLUETOOTH™ WALL SWITCH

**JAYKAL**

PROJECT NAME:

**JAYKAL LED SOLUTIONS, INC.**

[www.jaykal.net](http://www.jaykal.net)

PROJECT NOTES:

21499 Baltimore Ave.

Georgetown, DE 19947

(P) 302-295-0015

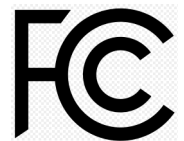
(F) 302-295-0016

### PRODUCT DESCRIPTION

The LumaLinX JLS-LLE-WP1025 is a versatile, battery-powered Bluetooth wireless wall switch that offers seamless control over your LumaLinX devices. It enables various functions, including ON/OFF, DIM+/DIM- for brightness adjustment, AUTO for automated control, and three customizable scene settings. Additionally, the JLS-LLE-WP1025 can function as a remote controller, allowing you to operate your LumaLinX ecosystem from anywhere within its wireless range, ensuring reliable and secure Bluetooth™ communication.

### FEATURES

- Bluetooth™ 5.0 network technology enables the switch to be linked to one or more light groups via the LumaLinX app.
- Powered by a single CR2032 battery.
- 3 Scene Scroll Button
- Approximately 5-8 year battery life\*
- Separate Dim+/Dim-, ON/OFF, AUTO Buttons
- LED will flash for low power condition.
- Can be mounted to a flat surface or switch box (WP required) or used as a remote.
- Easily retrofit existing wall switches with the Decora™ wall plates (Not Included)



Revised 9/12/24

*Specifications are typical values and may change without notification*

**efficiency. illuminated.**

## 5 BUTTON BATTERY POWERED BLUETOOTH™ WALL SWITCH

**JAYKAL**

### SPECIFICATIONS TABLE

#### JLS-LLE-WP1025 SERIES

INPUT VOLTAGE	3VDC
BLUETOOTH TRANSMIT	100ft Max
RADIO FREQUENCY	2.4GHz ± 75MHz
BLUETOOTH VERSION	5.0
HOUSING MATERIAL	UL 94-V0
OPERATING TEMPERATURE	-18°C to 50°C, -0.4°F to 122°F
STORAGE TEMPERATURE	0°C to 30°C, 32°F to 86°F
IP RATING	IP20
COLOR	White
WARRANTY	5 Years
COMPLIANCE	UL 1376, RoHS

Due to our continued efforts to improve our products, specifications are subject to change without notice.

### Requirements

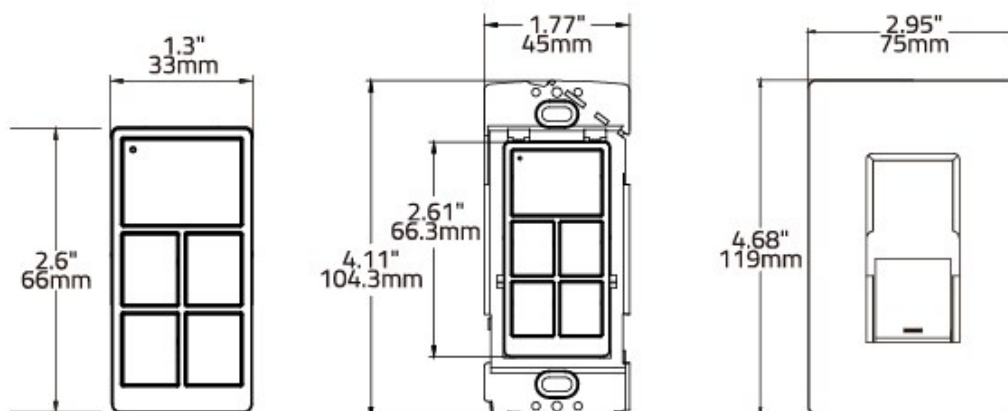
- 1 CR2032 Battery (not Included)
- Decora™ Wall Plate (not included)

### Ordering Guide

MODEL	CCT
JLS-LLE-WP1025.B1	5 Button Battery Powered Bluetooth Wall Switch

### DIMENSIONS

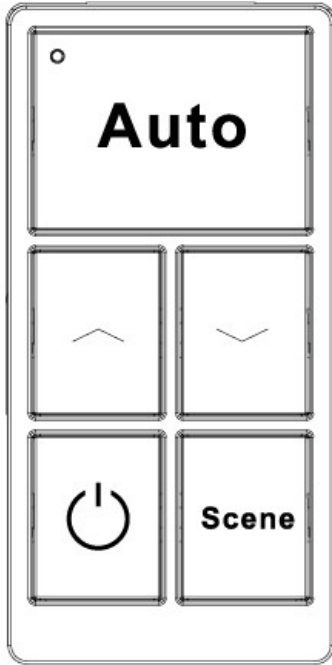
Unit:inch/mm



*Specifications are typical values and may change without notification*

**5 BUTTON BATTERY POWERED BLUETOOTH™ WALL SWITCH** **JAYKAL**

**PRODUCT DRAWINGS**



The Bluetooth word mark and logos are registered trademarks owned by Bluetooth SIG, Inc. and any use of such marks by LumaLinx is under license. Other trademarks and trade names are those of their respective owners.

**APP DOWNLOAD**



*Specifications are typical values and may change without notification*

**efficiency. illuminated.**