

## 8 BUTTON BATTERY POWERED BLUETOOTH™ WALL SWITCH

**JAYKAL**

PROJECT NAME:

**JAYKAL LED SOLUTIONS, INC.**

[www.jaykal.net](http://www.jaykal.net)

PROJECT NOTES:

21499 Baltimore Ave.

Georgetown, DE 19947

(P) 302-295-0015

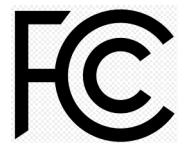
(F) 302-295-0016

### PRODUCT DESCRIPTION

The LumaLinX JLS-LLE-WP1018 is a versatile, battery-powered Bluetooth wireless wall switch that offers seamless control over your LumaLinX devices. It enables various functions, including ON/OFF, DIM+/DIM- for brightness adjustment, AUTO for automated control, and four customizable scene settings. Additionally, the JLS-LLE-WP1018 can function as a remote controller, allowing you to operate your LumaLinX ecosystem from anywhere within its wireless range, ensuring reliable and secure Bluetooth communication.

### FEATURES

- Bluetooth 5.0 network technology enables the switch to be linked to one or more light groups via the Keilton+autani app
- Powered by a single CR2023 battery
- 4 separate configurable scene buttons
- Preset scene functions available for scene buttons: ON, ON/OFF, OFF w/15min delay, OFF w/1hr delay, OFF w/2hr delay, OFF w/4hr delay, AUTO/ON, 100% ON/OFF
- Approximately 5-8 year battery life\*
- Separate DIM+/DIM- buttons
- Separate ON-AUTO/OFF buttons
- LED indicator will flash blue when connecting to app
- Red LED indicator will flash for low power condition
- Can be mounted or used as a remote



Revised 11/11/24

*Specifications are typical values and may change without notification*

**efficiency. illuminated.**

## 8 BUTTON BATTERY POWERED BLUETOOTH™ WALL SWITCH

**JAYKAL**

### SPECIFICATIONS TABLE

#### JLS-LLE-WP1018 SERIES

INPUT VOLTAGE	3VDC
BLUETOOTH TRANSMIT	100ft Max
RADIO FREQUENCY	2.4GHz ± 75MHz
BLUETOOTH VERSION	5.0
HOUSING MATERIAL	UL 94-V0
OPERATING TEMPERATURE	-18°C to 50°C, -0.4°F to 122°F
STORAGE TEMPERATURE	0°C to 30°C, 32°F to 86°F
IP RATING	IP20
COLOR	White
WARRANTY	5 Years
COMPLIANCE	RoHS

Due to our continued efforts to improve our products, specifications are subject to change without notice.

### Requirements

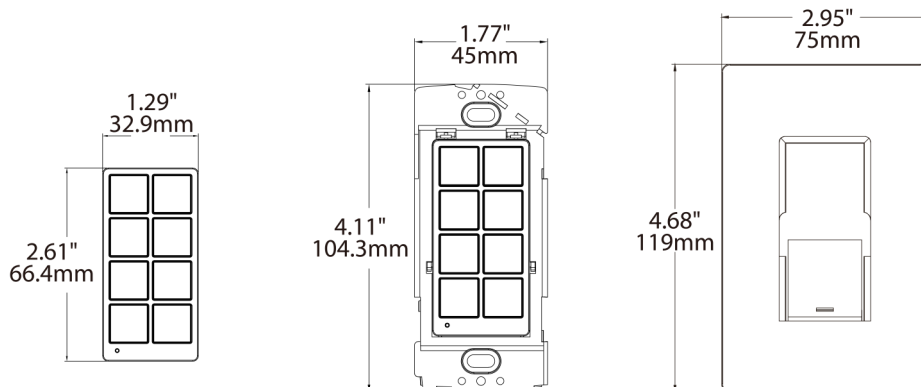
- Decora™ Wall Plate (Not Included)

## Ordering Guide

MODEL	CCT
JLS-LLE-WP1018.A0	8 Button Battery Powered Bluetooth Wall Switch

### DIMENSIONS

Unit:inch/mm



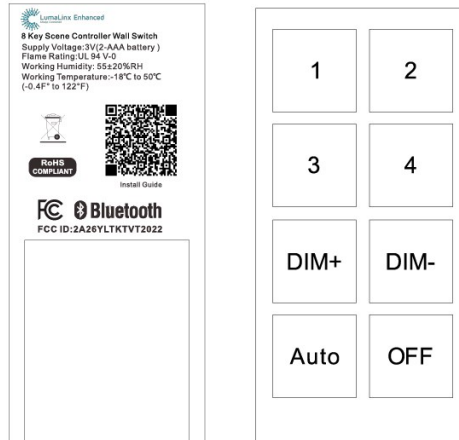
Wall Plate not included.

*Specifications are typical values and may change without notification*

**efficiency. illuminated.**

**8 BUTTON BATTERY POWERED BLUETOOTH™ WALL SWITCH** **JAYKAL**

**PRODUCT DRAWINGS**



The Bluetooth word mark and logos are registered trademarks owned by Bluetooth SIG, Inc. and any use of such marks by LumaLinx is under license. Other trademarks and trade names are those of their respective owners.

**APP DOWNLOAD**



*Specifications are typical values and may change without notification*

**efficiency. illuminated.**