

## JLS-LLE-WP1015S SERIES PV BLUETOOTH™ WALL SWITCH

**JAYKAL**

PROJECT NAME:

**JAYKAL LED SOLUTIONS, INC.**

[www.jaykal.net](http://www.jaykal.net)

PROJECT NOTES:

21499 Baltimore Ave.

Georgetown, DE 19947

(P) 302-295-0015

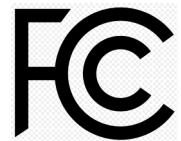
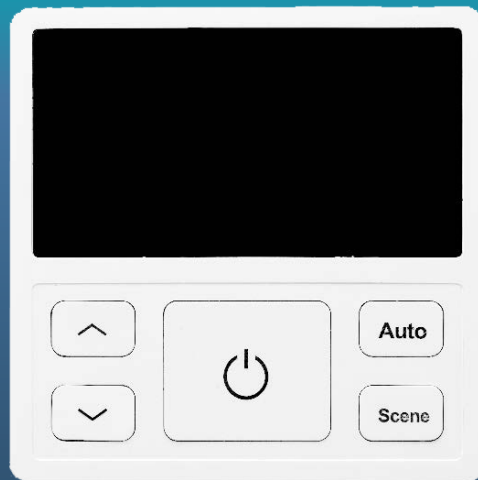
(F) 302-295-0016

### PRODUCT DESCRIPTION

The JLS-LLE-WP1015S is a photovoltaic-powered Bluetooth wireless scene controller. It provides wireless control of LumaLinX devices, enabling ON/OFF, DIM+/DIM-, AUTO, and 3 scene functions. The JLS-LLE-WP1015S can also be used as remote controller.

### FEATURES

- Photovoltaic panel provides additional power supply from room lighting to lessen dependence on battery power
- Powered by single CR2032 battery, USB charging cable, or integrated solar panel
- Quick push-button control of LumaLinX devices via Bluetooth
- Can be used as a remote controller or mounted to a flat surface



Revised 9/12/24

*Specifications are typical values and may change without notification*

**efficiency. illuminated.**

# JLS-LLE-WP1015S SERIES PV BLUETOOTH™ WALL SWITCH

**JAYKAL**

## SPECIFICATIONS TABLE

### JLS-LLE-WP1015 SERIES

INPUT VOLTAGE	DC 3V/USB 5V
BLUETOOTH TRANSMIT	100ft Max
RADIO FREQUENCY	2.4GHz ± 75MHz
BLUETOOTH VERSION	4.2
HOUSING MATERIAL	UL 94-V0
OPERATING TEMPERATURE	-18°C to 50°C, -0.4°F to 122°F
STORAGE TEMPERATURE	0°C to 30°C, 32°F to 86°F
IP RATING	IP20
COLOR	White
WARRANTY	5 Years
COMPLIANCE	UL 1376, RoHS

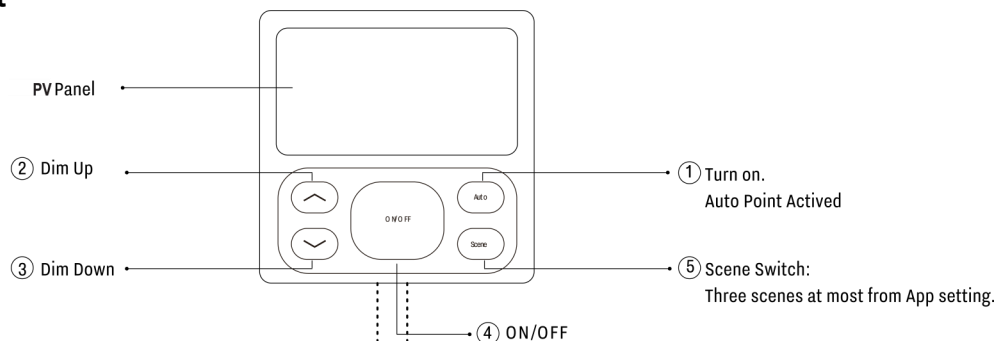
Due to our continued efforts to improve our products, specifications are subject to change without notice.

## Ordering Guide

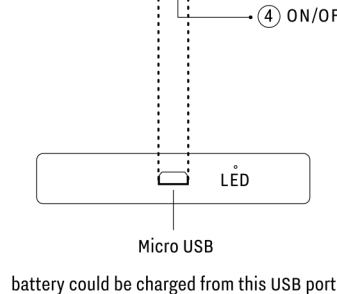
MODEL	CCT
JLS-LLE-WP1015S.A0	5-Key Photovoltaic-Powered BT Wall Switch

## WIRING

**Front**



**Bottom**



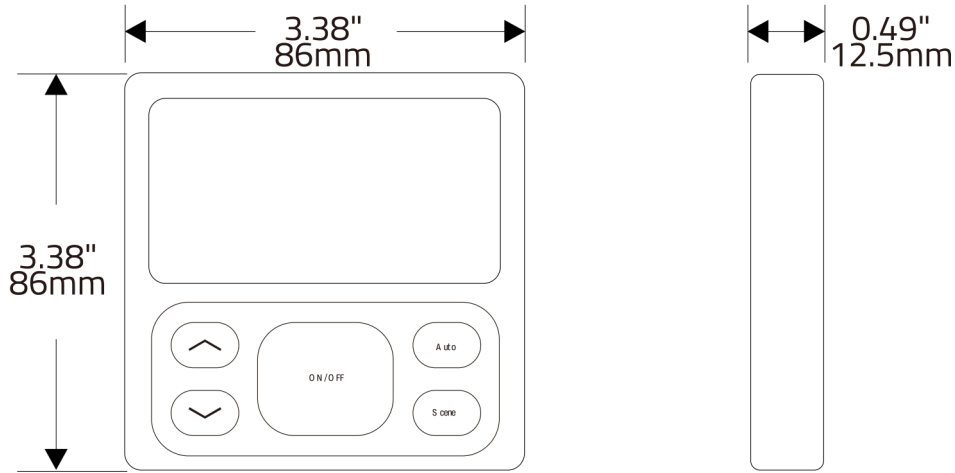
*Specifications are typical values and may change without notification*

**efficiency. illuminated.**

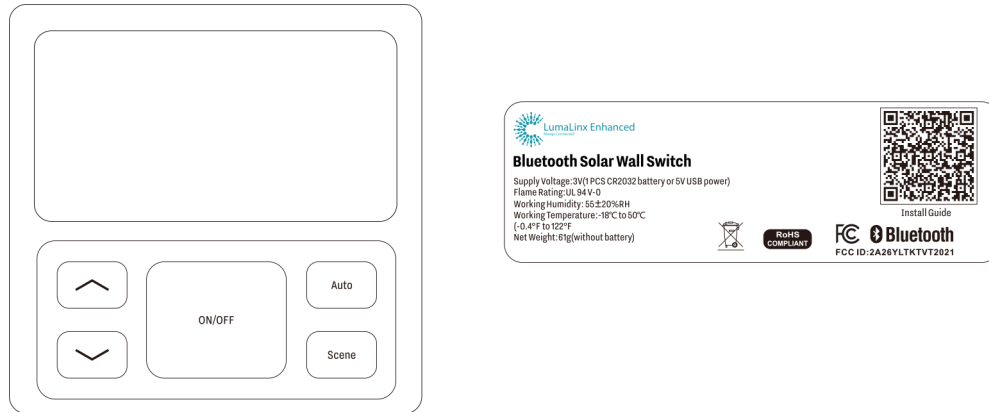
**JLS-LLE-WP1015S SERIES PV BLUETOOTH™ WALL SWITCH** **JAYKAL**

**DIMENSIONS**

Unit:inch/mm



**PRODUCT LABEL**



The Bluetooth word mark and logos are registered trademarks owned by Bluetooth SIG, Inc. and any use of such marks by LumaLinx is under license. Other trademarks and trade names are those of their respective owners.

**APP DOWNLOAD**



*Specifications are typical values and may change without notification*