

3 BUTTON LINE VOLTAGE BLUETOOTH™ WALL SWITCH

JAYKAL

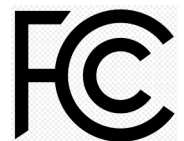
PROJECT NAME:	JAYKAL LED SOLUTIONS, INC. www.jaykal.net 21499 Baltimore Ave. Georgetown, DE 19947 (P) 302-295-0015 (F) 302-295-0016
PROJECT NOTES:	

PRODUCT DESCRIPTION

The LumaLinx JLS-LLE-WP1013S is a line-voltage Bluetooth wireless wall switch. It provides wireless control of LumaLinx devices, enabling ON/OFF, DIM+, and DIM- functions. JLS-LLE-WP1013 can be used to retrofit a standard wall switch.

FEATURES

- 120-277VAC
- Ideal retrofit of existing wall controls (neutral is required)
- Quick push-button control of LumaLinx devices via Bluetooth
- Bluetooth 5.0 network technology enables the switch to be linked to one or more light groups via the LumaLinx app.



3 BUTTON LINE VOLTAGE BLUETOOTH™ WALL SWITCH

JAYKAL

SPECIFICATIONS TABLE

JLS-LLE-WP1013S SERIES

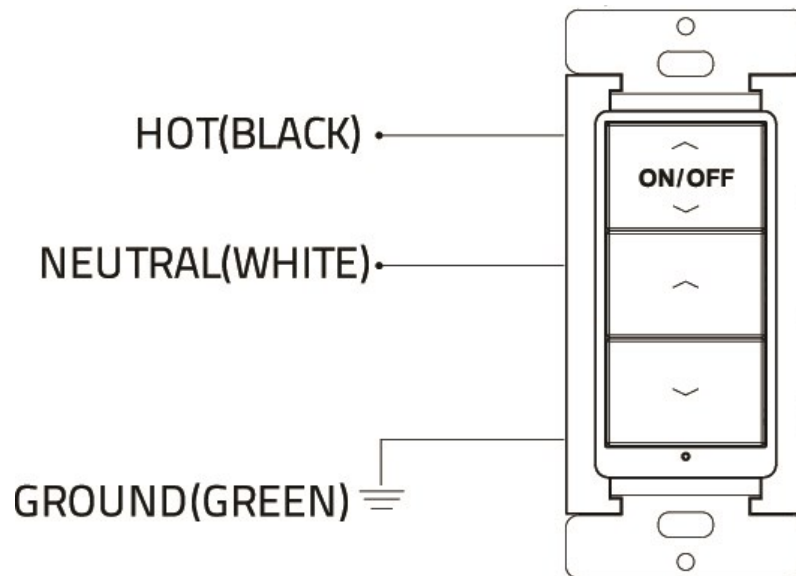
INPUT VOLTAGE	120-277VAC
FREQUENCY	50/60Hz
INPUT CURRENT	10mA
RADIO FREQUENCY	2.4GHz ± 75MHz
BLUETOOTH VERSION	5.0
HOUSING MATERIAL	UL 94-5VA
OPERATING TEMPERATURE	0°C to 40°C, 32°F to 104°F
STORAGE TEMPERATURE	-30°C to 85°C, -22°F to 185°F
IP RATING	IP20
COLOR	Plate/White, Housing/Black
WARRANTY	5 Years
COMPLIANCE	UL 1376 RoHS

Due to our continued efforts to improve our products, specifications are subject to change without notice.

Ordering Guide

MODEL	CCT
JLS-LLE-WP1013S.A0	3 Button Line Voltage Bluetooth Wall Switch

WIRING



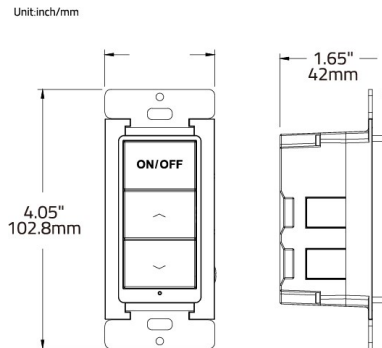
Specifications are typical values and may change without notification

efficiency. illuminated.

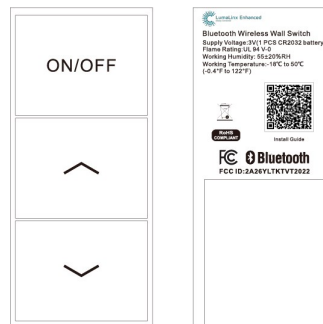
3 BUTTON BATTERY POWERED BLUETOOTH™ WALL SWITCH

JAYKAL

DIMENSIONS



PRODUCT DRAWINGS



The Bluetooth word mark and logos are registered trademarks owned by Bluetooth SIG, Inc. and any use of such marks by LumaLinx is under license. Other trademarks and trade names are those of their respective owners.

APP DOWNLOAD



Specifications are typical values and may change without notification

efficiency. illuminated.