

**3 BUTTON BATTERY POWERED BLUETOOTH™ WALL SWITCH** **JAYKAL**

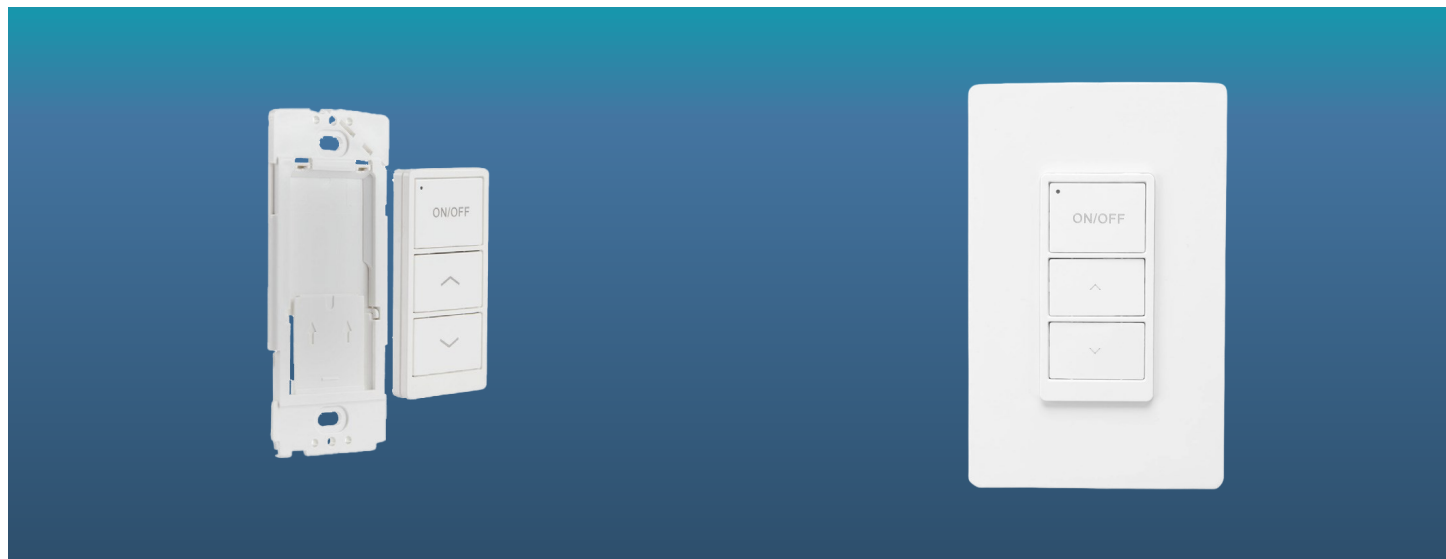
PROJECT NAME:	<b>JAYKAL LED SOLUTIONS, INC.</b> <a href="http://www.jaykal.net">www.jaykal.net</a>  21499 Baltimore Ave. Georgetown, DE 19947  (P) 302-295-0015 (F) 302-295-0016
PROJECT NOTES:	

**PRODUCT DESCRIPTION**

The LumaLinX JLS-LLE-WP1013 is a versatile, battery-powered Bluetooth wireless wall switch that offers seamless control over your LumaLinX devices. It enables various functions, including ON/OFF and DIM+/DIM- for brightness adjustment. Additionally, the JLS-LLE-WP1013 can function as a remote controller, allowing you to operate your LumaLinX ecosystem from anywhere within its wireless range, ensuring reliable and secure Bluetooth communication.

**FEATURES**

- Quick push-button control of Keilton+autani devices via Bluetooth
- Powered by a single CR2032 battery
- Approximately 5-8 year battery life\*
- Can be wall-mounted or used as portable remote controller
- Bluetooth 5.0 network technology enables the switch to be linked to one or more light groups via the LumaLinX app



## 3 BUTTON BATTERY POWERED BLUETOOTH™ WALL SWITCH

**JAYKAL**

### SPECIFICATIONS TABLE

#### JLS-LLE-WP1013

INPUT VOLTAGE	3VDC
BLUETOOTH TRANSMIT	100ft Max
RADIO FREQUENCY	2.4GHz ± 75MHz
BLUETOOTH VERSION	5.0
HOUSING MATERIAL	UL 94-V0
OPERATING TEMPERATURE	-18°C to 50°C, -0.4°F to 122°F
STORAGE TEMPERATURE	0°C to 30°C, 32°F to 86°F
IP RATING	IP20
COLOR	White
WARRANTY	5 Years
COMPLIANCE	UL 1376 RoHS

Due to our continued efforts to improve our products, specifications are subject to change without notice.

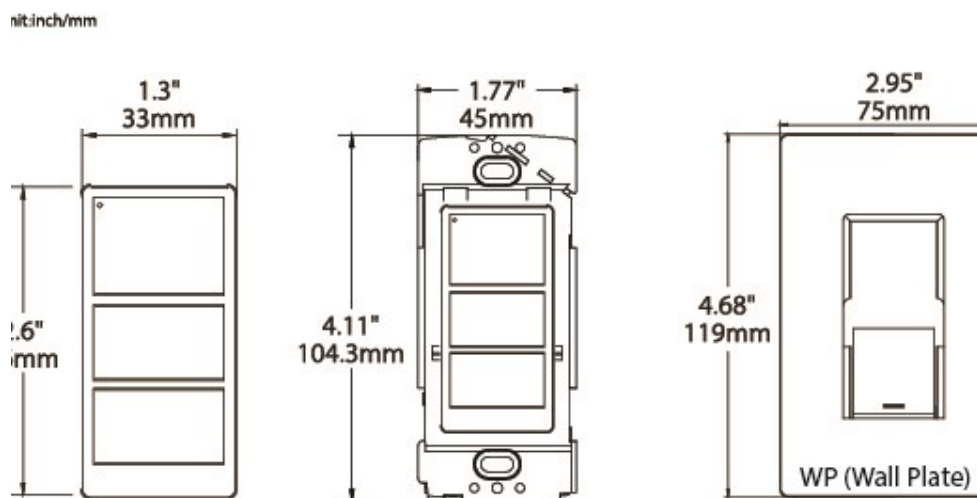
### Requirements

- 1 CR2032 Battery (Not Included)
- Decora Wall Plate (Not Included)

### Ordering Guide

MODEL	CCT
JLS-LLE-WP1013.A0	3 Button Battery Powered Bluetooth Wall Switch

### DIMENSIONS



*Specifications are typical values and may change without notification*

**3 BUTTON BATTERY POWERED BLUETOOTH™ WALL SWITCH** **JAYKAL**

**PRODUCT LABEL**



The Bluetooth word mark and logos are registered trademarks owned by Bluetooth SIG, Inc. and any use of such marks by LumaLinx is under license. Other trademarks and trade names are those of their respective owners.

**APP DOWNLOAD**



*Specifications are typical values and may change without notification*

**efficiency. illuminated.**