

JLS-LLE-RP0 SERIES USB SIGNAL BOOSTER

JAYKAL

PROJECT NAME:

JAYKAL LED SOLUTIONS, INC.

www.jaykal.net

PROJECT NOTES:

21499 Baltimore Ave.

Georgetown, DE 19947

(P) 302-295-0015

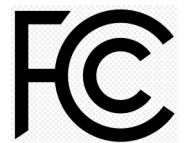
(F) 302-295-0016

REQUIREMENTS

- Must be powered by USB Type-A
- Portable power banks must be used that can support continuous operation with low power devices (~10mA)

FEATURES

- Bluetooth signal booster tool for commissioning and configuration
- Enhances Bluetooth signal for applications with long distances between nodes or weak signals due to environmental interference
- Threaded antenna connection allows use of 5dB (model #: JLS-LLE-TX5 included) or 1dB (model #: JLS-LLE-TX1) antenna



Revised 11/12/24

Specifications are typical values and may change without notification

efficiency. illuminated.

JLS-LLE-RP0 SERIES USB SIGNAL BOOSTER

JAYKAL

SPECIFICATIONS TABLE

JLS-LLE-RP0 SERIES

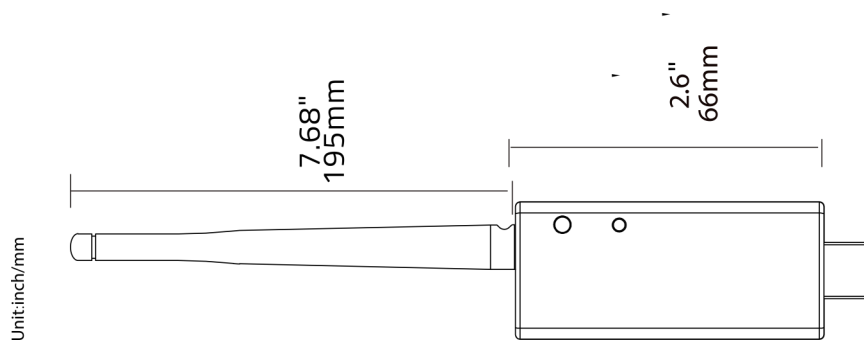
INPUT VOLTAGE	USB 5V
BLUETOOTH TRANSMIT	1968ft Max for JLS-LLE-TX5
RADIO FREQUENCY	2.4GHz ± 75MHz
BLUETOOTH VERSION	5.0
HOUSING MATERIAL	UL 94-V0
INDOOR/OUTDOOR USE	Indoor Only
OPERATING TEMPERATURE	-18°C to 50°C, -0.4°F to 122°F
STORAGE TEMPERATURE	0°C to 30°C, 32°F to 86°F
IP RATING	IP66
COLOR	Black
WARRANTY	5 Years
COMPLIANCE	RoHs

Due to our continued efforts to improve our products, specifications are subject to change without notice.

Ordering Guide

MODEL	Description
JLS-LLE-RP0.A0	Bluetooth signal booster

DIMENSIONS



APP DOWNLOAD



Specifications are typical values and may change without notification

efficiency. illuminated.