

JLS-LLE-PPA109S UL924 EMERGENCY LIGHTING CONTROLLER

JAYKAL

PROJECT NAME:

JAYKAL LED SOLUTIONS, INC.

www.jaykal.net

PROJECT NOTES:

21499 Baltimore Ave.

Georgetown, DE 19947

(P) 302-295-0015

(F) 302-295-0016

PRODUCT DESCRIPTION

JLS-LLE-PPA109S is an emergency lighting controller that meets UL924 requirements for networked controlled emergency lighting. It detects when normal building power has been interrupted and sends a wireless signal to the wirelessly controlled luminaires on the emergency circuit to override control inputs during this state. The JLS-LLE-PPA109S is designed for building emergency back-up power such as UPS or generator emergency power.

FEATURES

- Provision for remote test button or fire alarm interface
- Dual color function LED indicator
- Suitable for use in return air plenum rated UL2043
- Complies with UL924, RoHS
- Only one PPA109S is needed per zone



Revised 11/12/24

Specifications are typical values and may change without notification

efficiency. illuminated.

JLS-LLE-PPA109S UL924 EMERGENCY LIGHTING CONTROLLER

JAYKAL

SPECIFICATIONS TABLE

JLS-LLE-PPA109S SERIES

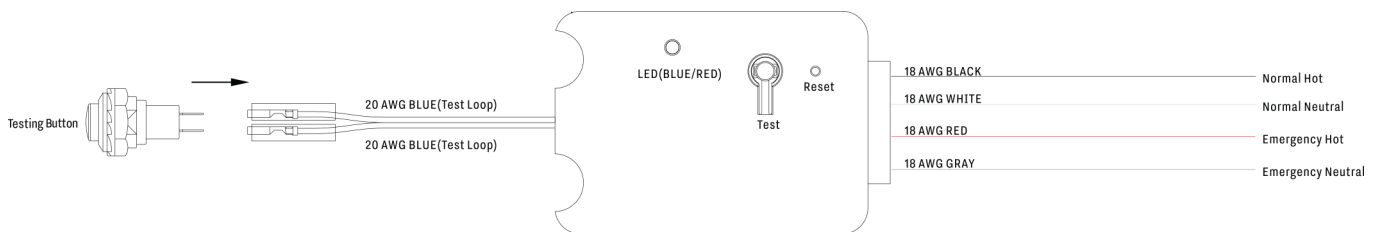
INPUT VOLTAGE	AC120-277V
FREQUENCY	50/60Hz
INPUT CURRENT	30mA
INPUT POWER	5W
BLUETOOTH TRANSMIT	200ft Max
RADIO FREQUENCY	2.4GHz ± 75MHz
BLUETOOTH VERSION	5.0
HOUSING MATERIAL	UL 94-5VA
INDOOR/OUTDOOR USE	Indoor Use Only
OPERATING TEMPERATURE	-30°C to 50°C, -22°F to 122°F
STORAGE TEMPERATURE	-30°C to 85°C, -22°F to 185°F
IP RATING	IP20
COLOR	Black
WARRANTY	5 Years
COMPLIANCE	UL 924, UL 2043, RoHS

Due to our continued efforts to improve our products, specifications are subject to change without notice.

Ordering Guide

MODEL	Description
JLS-LLE-PPA109S.B1	UL924 Emergency Lighting Controller

WIRING



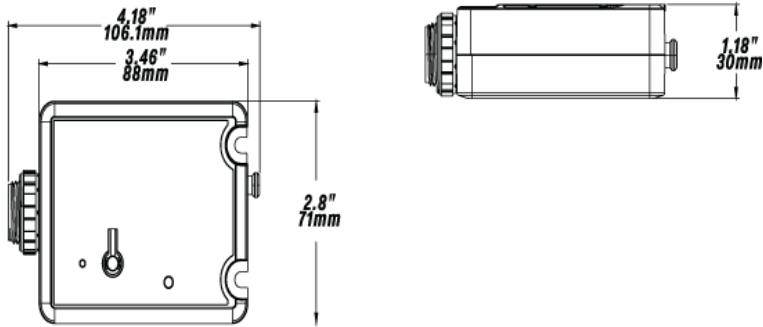
Specifications are typical values and may change without notification

efficiency. illuminated.

JLS-LLE-PPA109S UL924 EMERGENCY LIGHTING CONTROLLER JAYKAL

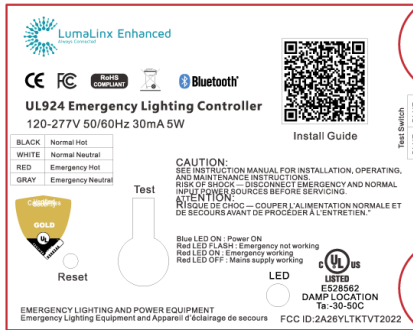
DIMENSIONS

Unit: inch/mm



SOCKET MOUNTING DIMENSIONS		
SIZE	AUX	MAJOR DIA. — INCH
R 1/2	14	0.825

PRODUCT LABEL



The Bluetooth word mark and logos are registered trademarks owned by Bluetooth SIG, Inc. and any use of such marks by LumaLinX is under license. Other trademarks and trade names are those of their respective owners.

APP DOWNLOAD



Specifications are typical values and may change without notification

efficiency. illuminated.