

**JLS-LLE-PPA104S SERIES LINE VOLTAGE BT FIXTURE CONTROLLER**

**JAYKAL**

PROJECT NAME:

**JAYKAL LED SOLUTIONS, INC.**

[www.jaykal.net](http://www.jaykal.net)

PROJECT NOTES:

21499 Baltimore Ave.

Georgetown, DE 19947

(P) 302-295-0015

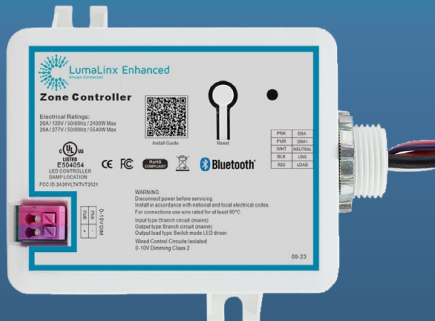
(F) 302-295-0016

**PRODUCT DESCRIPTION**

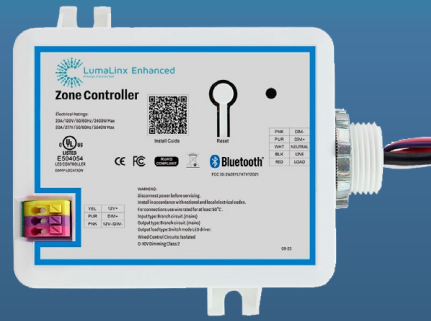
The JLS-LLE-PPA104S Series Bluetooth zone controllers feature a 20A relay for controlling higher capacity loads than standard fixture controllers. Available in two configurations, the .A0 model incorporates a 0-10V push-in port enabling dimming control for up to 48.5mA current sinking, and the .B1 model utilizes an RJ45 connector port for integration with Linx-Sensor products. The JLS-LLE-PPA104S supports switching of up to 20A plug loads and 1HP motor loads.

**FEATURES**

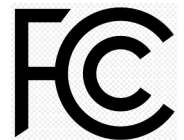
- 120-277VAC Input
- Integrated 20A relay
- Output power up to 2,400W(120VAC), 5,540W(277VAC)
- UL Plenum Rated
- 1 HP motor load rated



**JLS-LLE-PPA104S.A0**



**JLS-LLE-PPA104S.B1**



**JLS-LLE-PPA104S SERIES LINE VOLTAGE BT FIXTURE CONTROLLER**

**JAYKAL**

**SPECIFICATIONS TABLE**

**JLS-LLE-PPA104S SERIES**

<b>INPUT VOLTAGE</b>	120-277VAC
<b>FREQUENCY</b>	50/60Hz
<b>INPUT CURRENT</b>	20A Max
<b>INPUT POWER</b>	2400W Max @ 120V, 5540W Max @ 277V
<b>OUTPUT VOLTAGE</b>	120-277VAC
<b>OUTPUT CURRENT</b>	20A Max
<b>OUTPUT POWER</b>	2400W Max @ 120V, 5540W Max @ 277V
<b>DIMMING</b>	Class 2, 0-10V DC 10mA Max
<b>SINK CURRENT</b>	48.5mA Max
<b>BLUETOOTH TRANSMIT</b>	200ft Max
<b>RADIO FREQUENCY</b>	2.4GHz ± 75MHz
<b>BLUETOOTH VERSION</b>	5.0
<b>HOUSING MATERIAL</b>	UL 94-5VA
<b>INDOOR/OUTDOOR USE</b>	Indoor Use
<b>OPERATING TEMPERATURE</b>	-30°C to 55°C, -22°F to 131°F
<b>STORAGE TEMPERATURE</b>	-30°C to 85°C, -22°F to 185°F
<b>IP RATING</b>	IP20
<b>COLOR</b>	White
<b>WARRANTY</b>	5 Years
<b>COMPLIANCE</b>	UL8750, UL2043, RoHS

Due to our continued efforts to improve our products, specifications are subject to change without notice.

## Ordering Guide

MODEL	DESCRIPTION
<b>JLS-LLE-PPA104S.A0</b>	Bluetooth Zone Controller 120-277V 20A, 4.2 BLE
<b>JLS-LLE-PPA104S.B1</b>	Bluetooth Zone Controller 120-277V 20A With Sensor Port (requires RTP), 5.0 BLE

*Specifications are typical values and may change without notification*

# JLS-LLE-PPA104S SERIES LINE VOLTAGE BT FIXTURE CONTROLLER

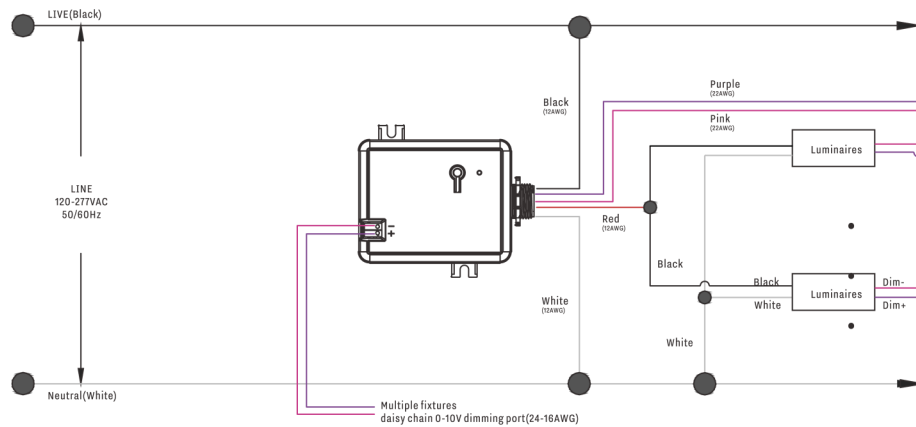
**JAYKAL**

## Accessories Ordering Guide

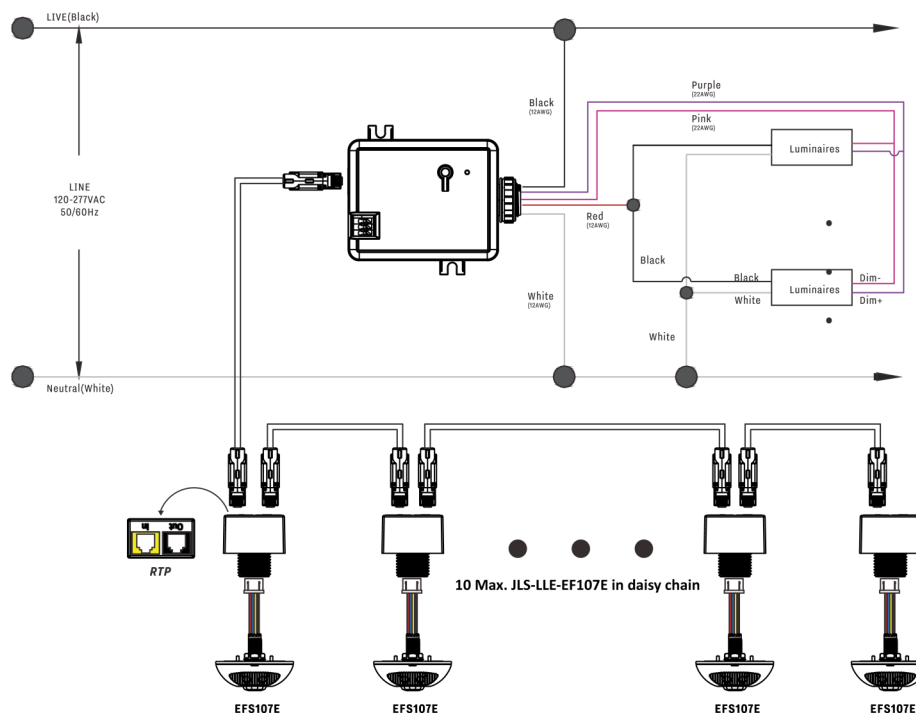
MODEL	DESCRIPTION	WORKS WITH	MOUNTING HEIGHT
JLS-LLE-EFS107E-A0	Low-Voltage Ceiling Dual-Tech Sensor	JLS-LLE-PPA104S.B1	8-12'
JLS-LLE-IFS105E.A0	Low-Voltage Wall/Ceiling Dual-Tech Sensor		Varies
JLS-LLE-RTP	Converter from RJ45 to PH2.0 connector (supports daisy chaining of devices)		N/A

## WIRING

**JLS-LLE-PPA104S.A0**



**JLS-LLE-PPA104S.B1**

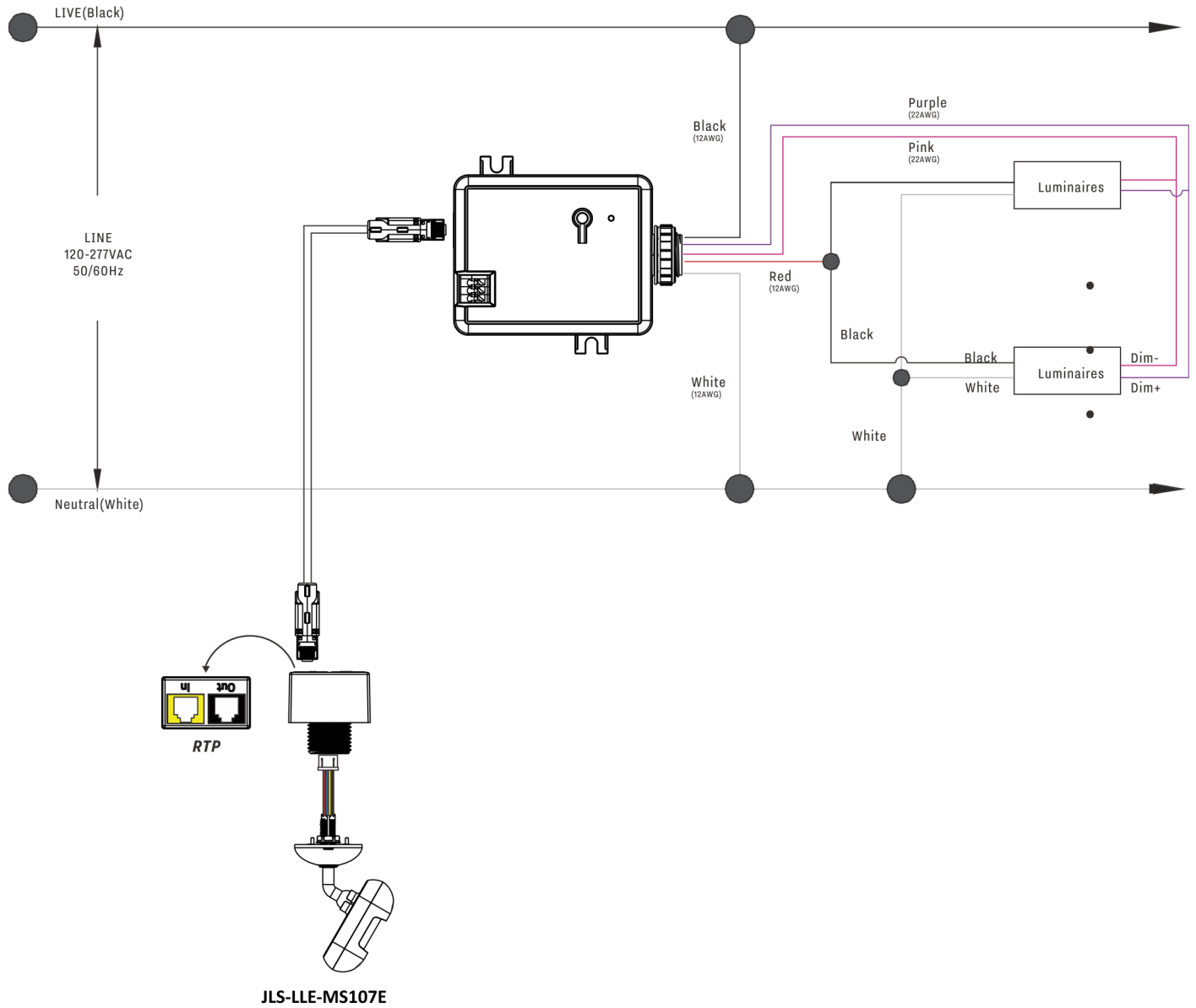


*Specifications are typical values and may change without notification*

**efficiency. illuminated.**

**WIRING**

**JLS-LLE-PPA104S.B1**



*Specifications are typical values and may change without notification*

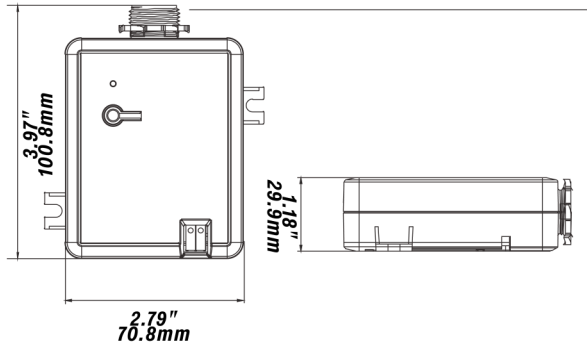
# JLS-LLE-PPA104S SERIES LINE VOLTAGE BT FIXTURE CONTROLLER

**JAYKAL**

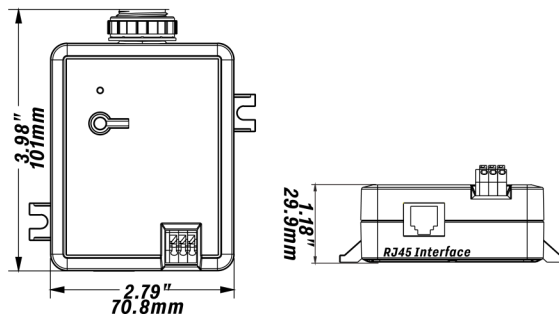
## DIMENSIONS

Unit:inch/mm

### JLS-LLE-PPA104S.A0



### JLS-LLE-PPA104S.B1




1/2 inch US standard knockout

### Socket Mounting Dimensions


Size	T.P.I	Major Dia.
	inch	inch
R1/2	14	0.825

## MARKETING




### Zone Controller

Electrical Ratings:  
20A / 120V / 50/60Hz / 2400W Max  
20A / 277V / 50/60Hz / 5540W Max



Install Guide



Reset

PNK	DIM-
PUR	DIM+
WHT	NEUTRAL
BLK	LINE
RED	LOAD

UL LISTED E504054 LED CONTROLLER DAMP LOCATION  
FCC ID: 2A26YLTKT2021

RoHS COMPLIANT Bluetooth


0-10V/DIM  
PNK  
PUR  
+ -

WARNING:  
Disconnect power before servicing.  
Install in accordance with national and local electrical codes.  
For connections use wire rated for at least 90°C.

Input type: Branch circuit. (mains)  
Output type: Branch circuit. (mains)  
Output load type: Switch mode LED driver.


Wired Control Circuits: Isolated  
0-10V Dimming Class 2

08-23




### Zone Controller

Electrical Ratings:  
20A / 120V / 50/60Hz / 2400W Max  
20A / 277V / 50/60Hz / 5540W Max



Install Guide



Reset

PNK	DIM-
PUR	DIM+
WHT	NEUTRAL
BLK	LINE
RED	LOAD

UL LISTED E504054 LED CONTROLLER DAMP LOCATION  
FCC ID: 2A26YLTKT2022

RoHS COMPLIANT Bluetooth

YEL	12V+
PUR	DIM+
PNK	12V-/DIM-

WARNING:  
Disconnect power before servicing.  
Install in accordance with national and local electrical codes.  
For connections use wire rated for at least 90°C.

Input type: Branch circuit. (mains)  
Output type: Branch circuit. (mains)  
Output load type: Switch mode LED driver.

Wired Control Circuits: Isolated  
0-10V Dimming Class 2

01-24

The Bluetooth word mark and logos are registered trademarks owned by Bluetooth SIG, Inc. and any use of such marks by Jaykal is under license. Other trademarks and trade names are those of their respective owners.

*Specifications are typical values and may change without notification*

**efficiency. illuminated.**

**APP DOWNLOAD**

