

JLS-LLE-PPA103S SERIES LINE VOLTAGE BT FIXTURE CONTROLLER

JAYKAL

PROJECT NAME:

JAYKAL LED SOLUTIONS, INC.

www.jaykal.net

PROJECT NOTES:

21499 Baltimore Ave.

Georgetown, DE 19947

(P) 302-295-0015

(F) 302-295-0016

PRODUCT DESCRIPTION

The JLS-LLE-PPA103S is a power pack that provides 12V DC output to power sensors and switching for non dim-to-off LED drivers. The JLS-LLE-PPA103S also provides a 0-10V dimming wire for bi-level motion control and relay output.

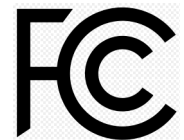
FEATURES

- JLS-LLE-PPA103S consists of a high-efficiency switching power supply and a 6A relay
- The power pack switches connected loads on and off in response to LumaLinX network sensors
- Offers 12VDC, 200mA to power the sensor
- Well-suited for applications that require high-voltage switching through low-voltage controls
- 1/2" threaded nipple attaches to standard electrical enclosures through 1/2" knockouts

JLS-LLE-PPA103S.B1



JLS-LLE-PPA103S.D1



Revised 9/12/24

Specifications are typical values and may change without notification

efficiency. illuminated.

JLS-LLE-PPA103S SERIES LINE VOLTAGE BT FIXTURE CONTROLLER

JAYKAL

SPECIFICATIONS TABLE

JLS-LLE-PPA103S SERIES

DIMMING	Class 2, 0-10V DC 10mA Max
SINKING CURRENT	10mA Max
OUTPUT VOLTAGE	120-277VAC/120-347VAC
OUTPUT CURRENT	6A Max 720W@120V, 1662W@277V, 2082@347V
HOUSING MATERIAL	UL 94-5VA
INDOOR/OUTDOOR USE	Indoor Use
OPERATING TEMPERATURE	-30°C to 65°C, -22°F to 149°F
STORAGE TEMPERATURE	-30°C to 85°C, -22°F to 185°F
IP RATING	IP20
COLOR	White
WARRANTY	5 Years
COMPLIANCE	UL8750, RoHS

Due to our continued efforts to improve our products, specifications are subject to change without notice.

Ordering Guide

MODEL	INPUT/OUTPUT VOLTAGE	FREQUENCY	TERMINALS
JLS-LLE-PPA103S.B1	120-277VAC 18AWG	60Hz, 6A Max 720W @ 120V, 6A Max 1662W @ 277V	X
JLS-LLE-PPA103S.D1	120-347VAC 18AWG	50/60Hz, 6A Max 720W @ 120V, 6A Max 2082W @ 347V	X

Specifications are typical values and may change without notification

efficiency. illuminated.

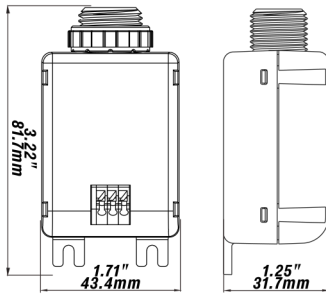
JLS-LLE-PPA103S SERIES LINE VOLTAGE BT FIXTURE CONTROLLER

JAYKAL

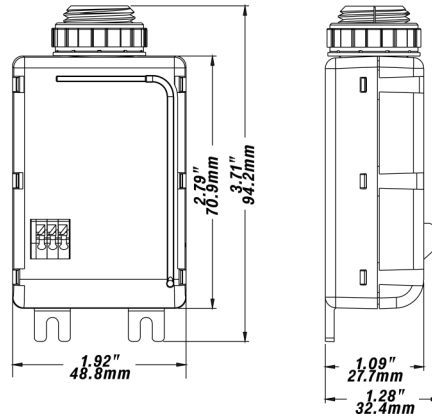
DIMENSIONS

Unit:inch/mm

JLS-LLE-PPA103S.B1



JLS-LLE-PPA103S.D1



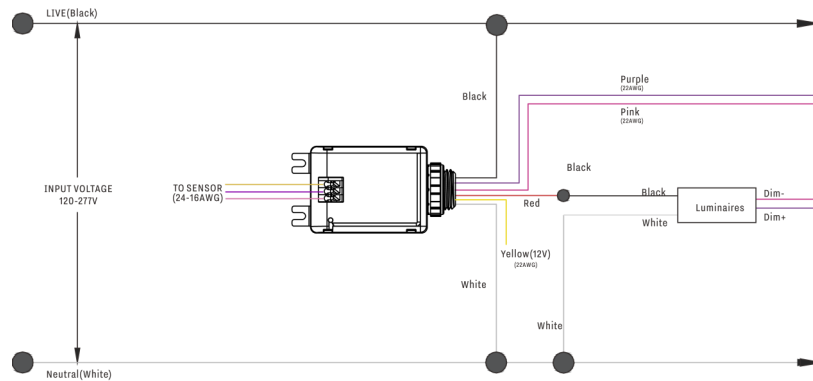
1/2 inch US standard knockout

Socket Mounting Dimensions

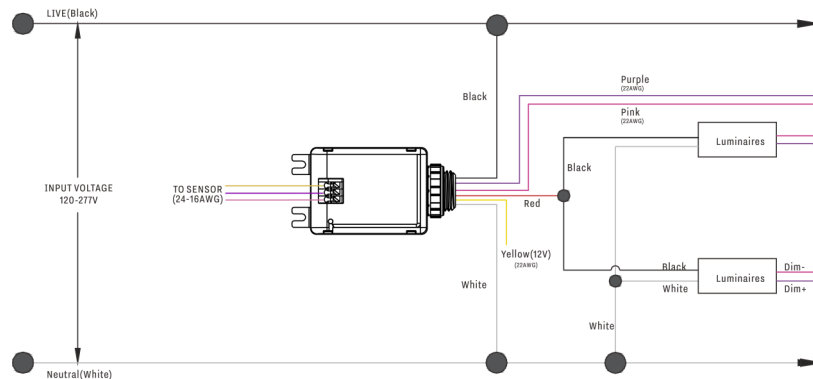
Size	T.P.I	Major Dia.
	inch	inch
R1/2	14	0.825

WIRING

Single Fixture



Multiple Fixtures



When connecting to multiple fixtures, ensure that the sum of dimming sink currents used by all fixtures does not exceed the dimming sink current his device.

Specifications are typical values and may change without notification

efficiency. illuminated.

JLS-LLE-PPA103S SERIES LINE VOLTAGE BT FIXTURE CONTROLLER

JAYKAL

The Bluetooth word mark and logos are registered trademarks owned by Bluetooth SIG, Inc. and any use of such marks by Jaykal is under license. Other trademarks and trade names are those of their respective owners.

APP DOWNLOAD



Specifications are typical values and may change without notification

efficiency. illuminated.