

JLS-LLE-PPA102S SERIES LINE VOLTAGE BT FIXTURE CONTROLLER

JAYKAL

PROJECT NAME:

JAYKAL LED SOLUTIONS, INC.

www.jaykal.net

PROJECT NOTES:

21499 Baltimore Ave.

Georgetown, DE 19947

(P) 302-295-0015

(F) 302-295-0016

PRODUCT DESCRIPTION

The JLS-LLE-PPA102S Bluetooth Fixture Controller enables seamless conversion of luminaires to wireless control for integration with the LumaLinX system. Device settings and commissioning are configured through the LumaLinX mobile application. The JLS-LLE-PPA102S can be connected to LumaLinX Linx Sensors by a PH2.0 port for plug-and-play, direct wire termination, or daisy-chain multiple sensors utilizing an RJ45 connector.

FEATURES

- 120-277VAC or 120-347VAC Input
- Integrated 6A relay
- Offers 12V, 200mA output power to sensors
- Attaches with standard 1/2" knockout
- Provides 0-10VDC dimmable single or dual channel output

JLS-LLE-PPA102S.B1

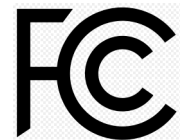
JLS-LLE-PPA102S.C1

JLS-LLE-PPA102S.C2



JLS-LLE-PPA102S.E1

JLS-LLE-PPA102S.E1



Revised 9/12/24

Specifications are typical values and may change without notification

efficiency. illuminated.

JLS-LLE-PPA102S SERIES LINE VOLTAGE BT FIXTURE CONTROLLER

JAYKAL

SPECIFICATIONS TABLE

JLS-LLE-PPA102S SERIES

INPUT VOLTAGE	120-277VAC
FREQUENCY	50/60Hz
OUTPUT VOLTAGE	120-277VAC
OUTPUT CURRENT	6A Max
OUTPUT POWER	720W Max @ 120V, 1662W Max @ 277V, 2082W Max @ 347V
DIMMING	Class 2, 0-10V DC 10mA Max
SINKING CURRENT	Indoor Use
BLUETOOTH TRANSMIT	200ft Max
RADIO FREQUENCY	2.4GHz ± 75MHz
BLUETOOTH VERSION	5.0
HOUSING MATERIAL	UL 94-5VA
INDOOR/OUTDOOR USE	Indoor
OPERATING TEMPERATURE	-30°C to 65°C, -22°F to 149°F
STORAGE TEMPERATURE	-30°C to 85°C, -22°F to 185°F
IP RATING	IP20
COLOR	White
WARRANTY	5 Years
COMPLIANCE	UL8750, UL2043, UL1376, RoHS

Due to our continued efforts to improve our products, specifications are subject to change without notice.

Ordering Guide

MODEL	SENSOR INPUT	VOLTAGE	RELAY RATING	WIRE GAUGE	0-10V	DUAL 0-10V	RJ45 Linx***
JLS-LLE-PPA102S.B1	Microwave****	120-277V	6A	18 Gauge	X		
JLS-LLE-PPA102S.C1	PIR + DLH*				X		
JLS-LLE-PPA102S.C2					X	X	
JLS-LLE-PPA102S.E1		X					
JLS-LLE-PPA102S.F1		120-347V	X		X		

- *PIR + DLH - PIR Occupancy Sensing and Daylight Harvesting
- **PH2.0 Linx Connector - Used to plug directly into Linx Sensors
- ***RJ45 Linx - RJ45 jack provided for using CAT5 cable to connect one or daisy chain multiple Linx Sensor products (requires RTP splitter, sold separately)
- ****Adjustable sensitivity, does not support DLH

Specifications are typical values and may change without notification

JLS-LLE-PPA102S SERIES LINE VOLTAGE BT FIXTURE CONTROLLER

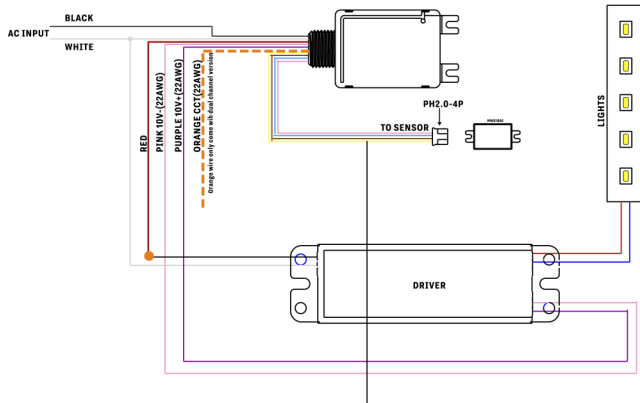
JAYKAL

Accessories Ordering Guide

MODEL	DESCRIPTION	WORKS WITH	MOUNTING HEIGHT
JLS-LLE-MWS105E	Microwave In-Fixture Sensor	Microwave Models Only	8-20'
JLS-LLE-IFS105E.A0	Round, 1/2" KO Sensor	DLH* Compatible Power Packs	8-12'
JLS-LLE-108E.A0	OEM Install Rectangular Sensor		8-12'
JLS-LLE-RTP	Converter from RJ45 to PH2.0 connector (supports daisy chaining of devices)	Works with PPA102S.F1 only	N/A
JLS-LLE-EFS107E.A0	Low-Voltage, Dual-Tech Ceiling Sensor		8-12'
JLS-LLE-MS107E.A0	Low-Voltage, Dual-Tech Wall/Ceiling Sensor		Varies

WIRING

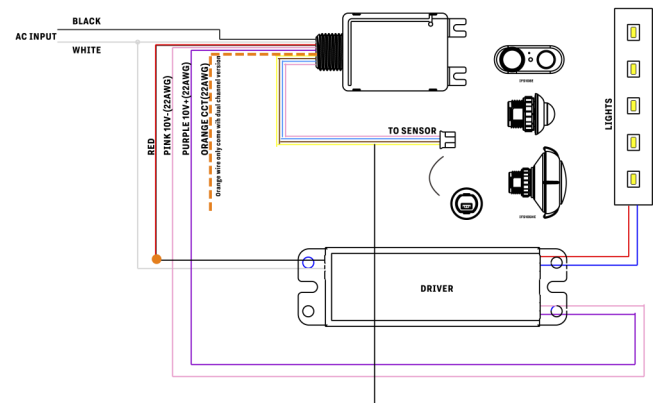
JLS-LLE-PPA102S.B1



FFC (22AWG)

Yellow	12V+
Brown	Sensitivity for MW sensor
Blue	Sensor
Pink	GND

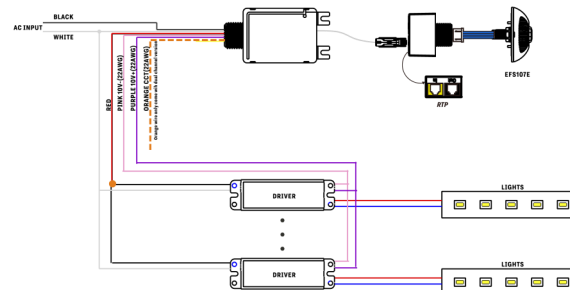
JLS-LLE-PPA102S.C1/.C2



FFC (22AWG)

Yellow	12V+
Brown	Sensor
Blue	Photosensor
Pink	GND

JLS-LLE-PPA102S.F1



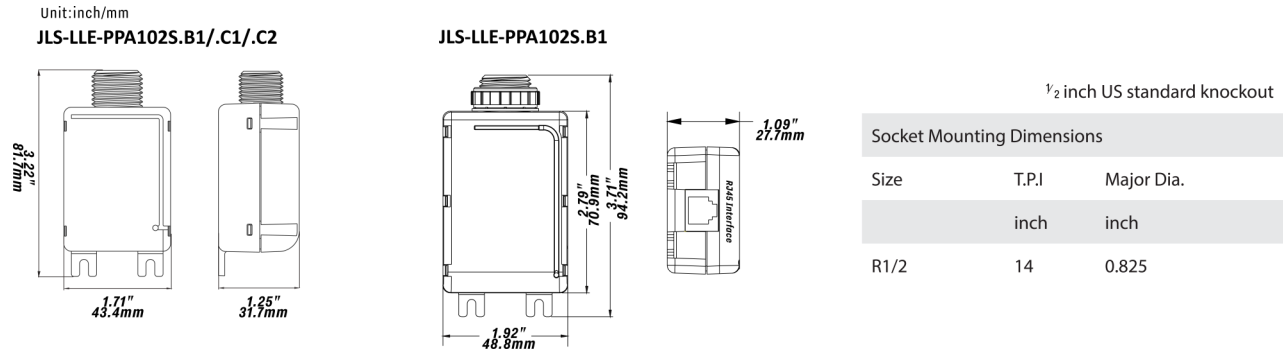
Specifications are typical values and may change without notification

efficiency. illuminated.

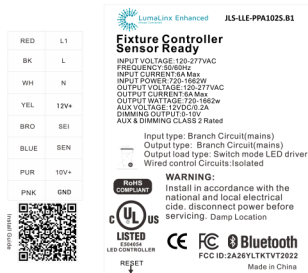
JLS-LLE-PPA102S SERIES LINE VOLTAGE BT FIXTURE CONTROLLER

JAYKAL

DIMENSIONS



PRODUCT LABEL



JLS-LLE-PPA102S.B1



JLS-LLE-PPA102S.C1



JLS-LLE-PPA102S.C2



JLS-LLE-PPA102S.F1

The Bluetooth word mark and logos are registered trademarks owned by Bluetooth SIG, Inc. and any use of such marks by Jaykal is under license. Other trademarks and trade names are those of their respective owners.

APP DOWNLOAD



Specifications are typical values and may change without notification

efficiency. illuminated.