

PIR SENSOR LENSES

JAYKAL

PROJECT NAME:

JAYKAL LED SOLUTIONS, INC.

www.jaykal.net

PROJECT NOTES:

21499 Baltimore Ave.

Georgetown, DE 19947

(P) 302-295-0015

(F) 302-295-0016

PRODUCT DESCRIPTION

The LumaLinx product line offers a versatile range of Passive Infrared (PIR) lenses compatible with most of its occupancy sensor devices (sold separately). These interchangeable Fresnel lenses provide exceptional flexibility for diverse installation scenarios and mounting heights. The comprehensive lens selection allows users to optimize sensor performance for specific applications, adapt to various room sizes and layouts, accommodate different ceiling heights, and customize coverage patterns to suit unique space requirements. By selecting the ideal lens for each project, users can ensure maximum efficiency and accuracy of their LumaLinx occupancy sensing system.

FEATURES

- Coverage options for 8-40ft mounting heights
- Fresnel lens technology for enhanced sensitivity
- Removable Louver (MBL1) for aisleway applications
- Exterior mounting on sensor module for easy installation
- IP66 rated models available for outdoor fixtures
- Interchangeable lenses for application flexibility



Revised 11/11/24

Specifications are typical values and may change without notification

efficiency. illuminated.

PIR SENSOR LENSES

JAYKAL

PIR LENS PRODUCT MODELS

JLS-LLE-HBL3 (IP40)

- The JLS-LLE-HBL3 is LumaLinx's most powerful high bay lens, 360° coverage best suited for open area and aisleway coverage in high bay application. They are multi-cell, multi-tier.
- Fresnel lens with a large diameter offering a higher-density coverage pattern. JLS-LLE-HBL3 is optimally designed for mounting heights between 20 to 40ft, with coverage area up to 80 ft in diameter when mounting at 40ft. In some applications, JLS-LLE-HBL3 can be used in mounting heights up to 50ft.

JLS-LLE-HBL1 (IP40)& JLS-LLE-WHBL1 (IP66)

- The JLS-LLE-HBL1 and JLS-LLE-WHBL1 offer 360° coverage, best suited for open area and aisleway coverage in high bay applications. They are multi-cell, multi-tier Fresnel lenses.
- Offering a high-density coverage pattern.
- JLS-LLE-HBL1 is designed for mounting height between 20 and 40ft, with a coverage area up to 80ft in diameter when mounted at 40ft.
- JLS-LLE-WHBL1 is a wet listed lens designed for mounting height between 20 and 40ft, with a coverage area up to 64ft in diameter when mounted at 40ft.

JLS-LLE-MBL1 (IP40)

- The JLS-LLE-MBL1 offer 360° coverage for middle bay applications. They are providing wider detection pattern comparing to high bay lens.
- JLS-LLE-MBL1 is designed for mounting height between 8 to 20ft, with a coverage area up to 50ft in diameter when mounted at 20ft.

JLS-LLE-LBL2 (IP40)

- JLS-LLE-LBL2 is designed for minor movement for low bay application. Designed for mounting height between 8 and 15ft, with a coverage area up to 32ft in diameter when mounted at 15ft.

Ordering Guide

MODEL	COLOR	COVERAGE	SENSOR MODELS
JLS-LLE-HBL3-2-W	White	Coverage @ 40ft height: Diameter 80ft	JLS-LLE-EFS104, JLS-LLE-EFS106, JLS-LLE-EFS07
JLS-LLE-HBL3-1.3-W			JLS-LLE-IFS101, JLS-LLE-IFS01R, JLS-LLE-EFS01RE
JLS-LLE-HBL1-2-W		Coverage @ 40ft height: Diameter 80ft	JLS-LLE-EFS104, JLS-LLE-EFS106, JLS-LLE-EFS07
JLS-LLE-HBL1-1.3-W	JLS-LLE-IFS101, JLS-LLE-IFS01R, JLS-LLE-EFS01RE		
JLS-LLE-HBL1-0.5-W	JLS-LLE-IFS105HE		
JLS-LLE-WHBL1-2-B (wet listed)	Black	Coverage @ 40ft height: Diameter 80ft	JLS-LLE-EFS106-W, JLS-LLE-EFS07
JLS-LLE-MBL1-2-W	White	Coverage @ 20ft height: Diameter 50ft	JLS-LLE-EFS106, JLS-LLE-EFS104, JLS-LLE-EFS107, JLS-LLE-IFS101
JLS-LLE-MBL1-1.3-W		Coverage @ 20ft height: Diameter 50ft	JLS-LLE-IFS105
JLS-LLE-LBL2-0.5-W		Coverage @ 15ft height: Diameter 32ft	JLS-LLE-IFS105S, JLS-LLE-IFS105SE, JLS-LLE-IFS108, JLS-LLE-IFS05S, JLS-LLE-IFS106R (included with sensor)

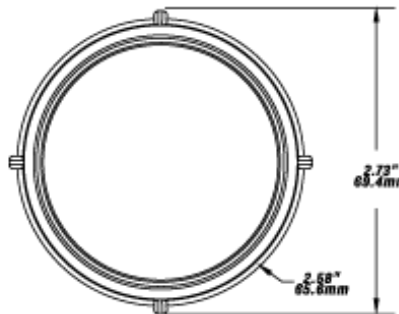
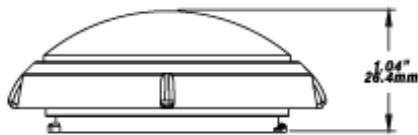
Specifications are typical values and may change without notification

PIR SENSOR LENSES

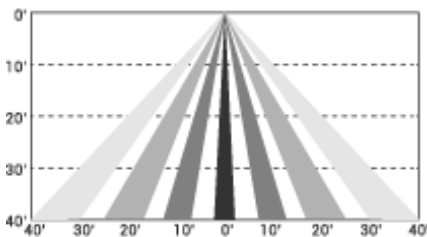
JAYKAL

COVERAGE PATTERN

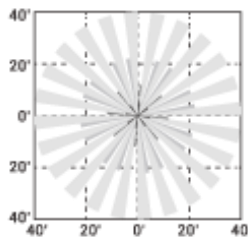
HBL3



Coverage Side View

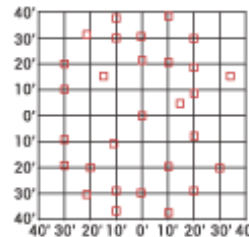


Coverage Top View



Height 40ft

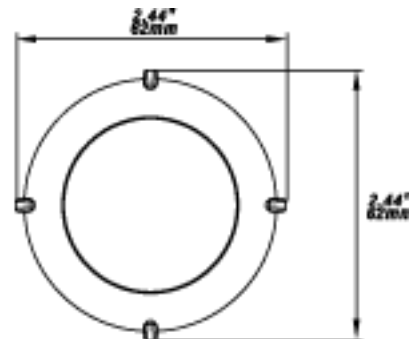
Detecting Spots For Ref



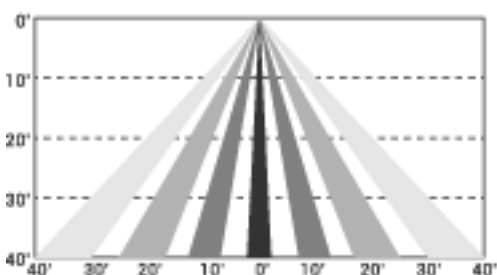
HBL3 has more detected points than HBL1

COVERAGE PATTERN

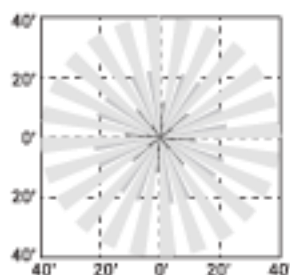
HBL1



Coverage Side View

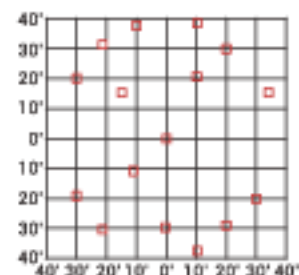


Coverage Top View



Height 40ft

Detecting Spots For Ref



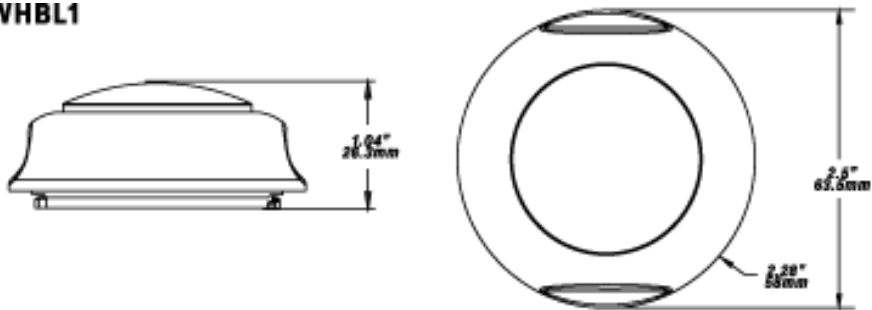
Specifications are typical values and may change without notification

PIR SENSOR LENSES

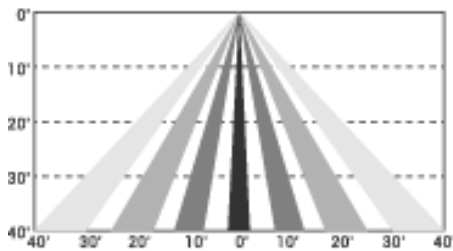
JAYKAL

COVERAGE PATTERN

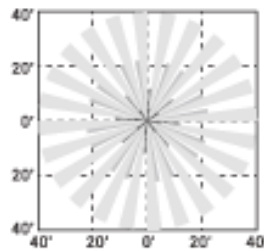
WHBL1



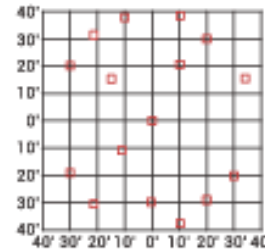
Coverage Side View



Coverage Top View

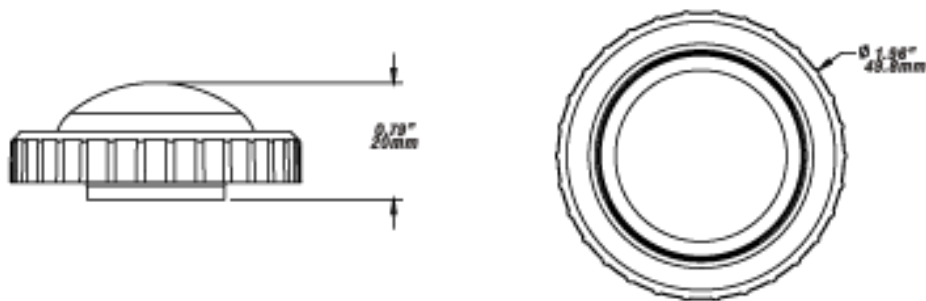


Detecting Spots For Ref

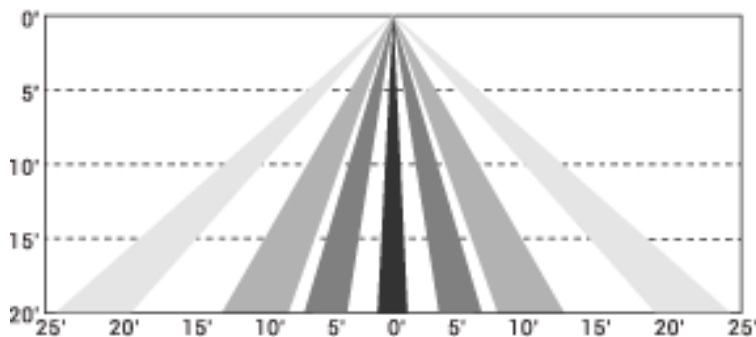


COVERAGE PATERN

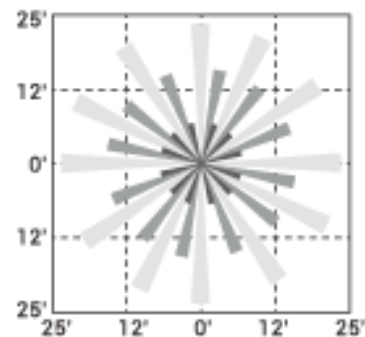
MBL1



Coverage Side View



Coverage Top View



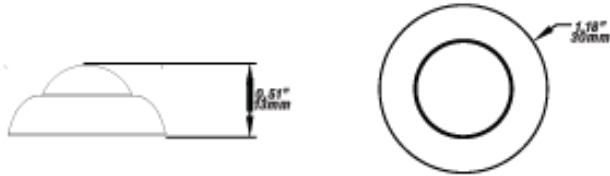
Specifications are typical values and may change without notification

PIR SENSOR LENSES

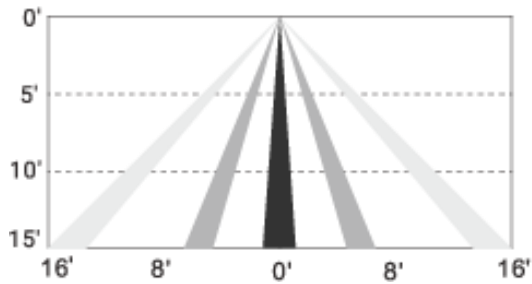
JAYKAL

COVERAGE PATTERN

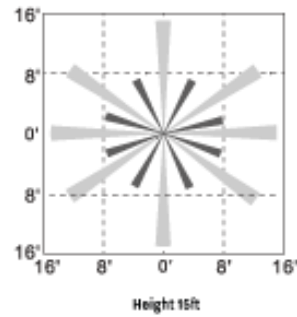
LBL2



Coverage Side View



Coverage Top View



APP DOWNLOAD



Specifications are typical values and may change without notification

efficiency. illuminated.