

JLS-LLE-MWS105E INTEGRATED 12V Linx MICROWAVE SENSOR **JAYKAL**

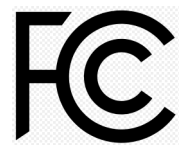
PROJECT NAME:	JAYKAL LED SOLUTIONS, INC. www.jaykal.net
PROJECT NOTES:	21499 Baltimore Ave. Georgetown, DE 19947 (P) 302-295-0015 (F) 302-295-0016

PRODUCT DESCRIPTION

The Linx Sensors extend the capabilities of a host controller device by providing Microwave Occupancy detection with adjustable sensitivity inputs. As non-Bluetooth devices, Linx Sensors are designed to operate with either the JLS-LLE-FA102 Bluetooth low-voltage luminaire controller or the JLS-LLE-PPA102S line voltage Bluetooth luminaire controller.

FEATURES

- Microwave occupancy sensor supports setting a delay time and bi-level dimming of sensors through the LumaLinx app
- Sensitivity adjustment from 0-100%



Revised 11/18/24

Specifications are typical values and may change without notification

efficiency. illuminated.

JLS-LLE-MWS105E INTEGRATED 12V Linx MICROWAVE SENSOR

JAYKAL

SPECIFICATIONS TABLE

JLS-LLE-MWS105E

INPUT VOLTAGE	12VDC
INPUT POWER	0.1W
HOUSING MATERIAL	UL 94-V0
DETECTION RANGE	20-40ft (depending on mounting height)
MOUNTING HEIGHT	8-20ft
INDOOR/OUTDOOR USE	Indoor Use
OPERATING TEMPERATURE	0°C to 55°C, 32°F to 131°F
STORAGE TEMPERATURE	-30°C to 85°C, -22°F to 185°F
IP RATING	IP20
COLOR	White
WARRANTY	5 Years
COMPLIANCE	UL8750, UL1376, RoHs

Due to our continued efforts to improve our products, specifications are subject to change without notice.

Ordering Guide

MODEL	DESCRIPTION	WORKS WITH	MOUNTING HEIGHT
JLS-LLE-MWS105E.A0	Integrated 12V Eco Microwave Sensor	JLS-LLE-FA102.B2/JLS-LLE-PPA102S.B1	8-20'

Accessory Ordering Guide

MODEL	DESCRIPTION
JLS-LLE-CC30 (for use with the JLS-LLE-FA102 only)	2468 24AWG white 300V 80°C Length: 300mm, PH2.0-4P on both side cable between adaptor and sensor
JLS-LLE-CC60 (for use with the JLS-LLE-FA102 only)	2468 24AWG white 300V 80°C Length: 600mm, PH2.0-4P on both side cable between adaptor and sensor
JLS-LLE-CC120 (for use with the JLS-LLE-FA102 only)	2468 24AWG white 300V 80°C Length: 1200mm, PH2.0-4P on both side cable between adaptor and sensor
JLS-LLE-FC30 (for use with the JLS-LLE-FA102 only)	1007 22AWG white 300V 80°C Length: 300mm, XH2.54-4P on left side cable between adaptor and driver, dip tin 10mm on right side
JLS-LLE-FC60 (for use with the JLS-LLE-FA102 only)	1007 22AWG white 300V 80°C Length: 600mm, X H2.54-4P on left side cable between adaptor and driver, dip tin 10mm on right side

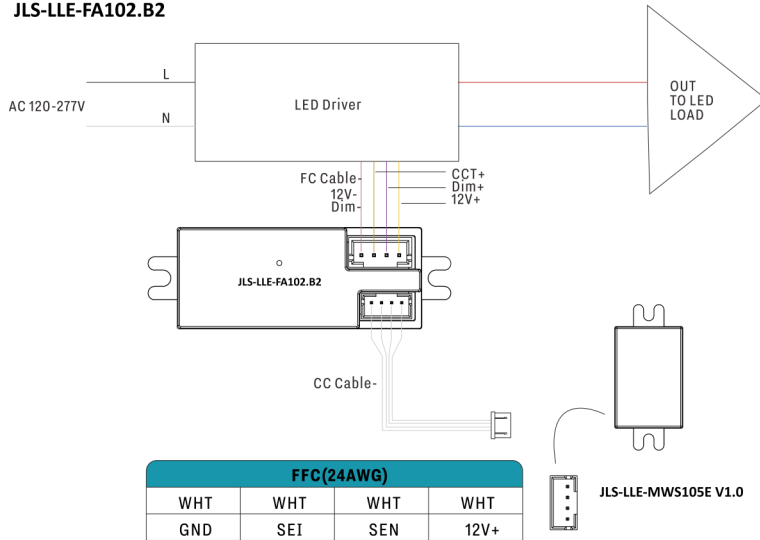
Specifications are typical values and may change without notification

efficiency. illuminated.

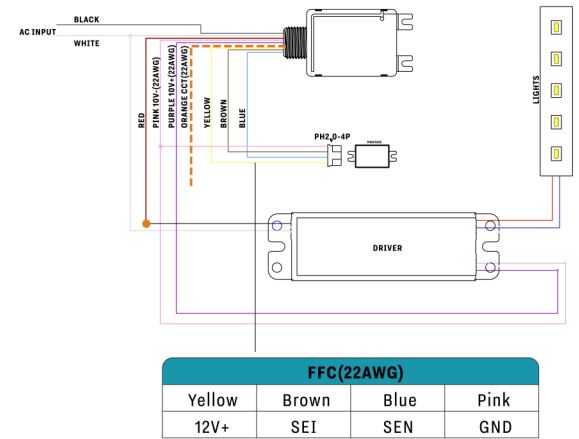
JLS-LLE-MWS105E INTEGRATED 12V Linx MICROWAVE SENSOR JAYKAL

WIRING

JLS-LLE-FA102.B2

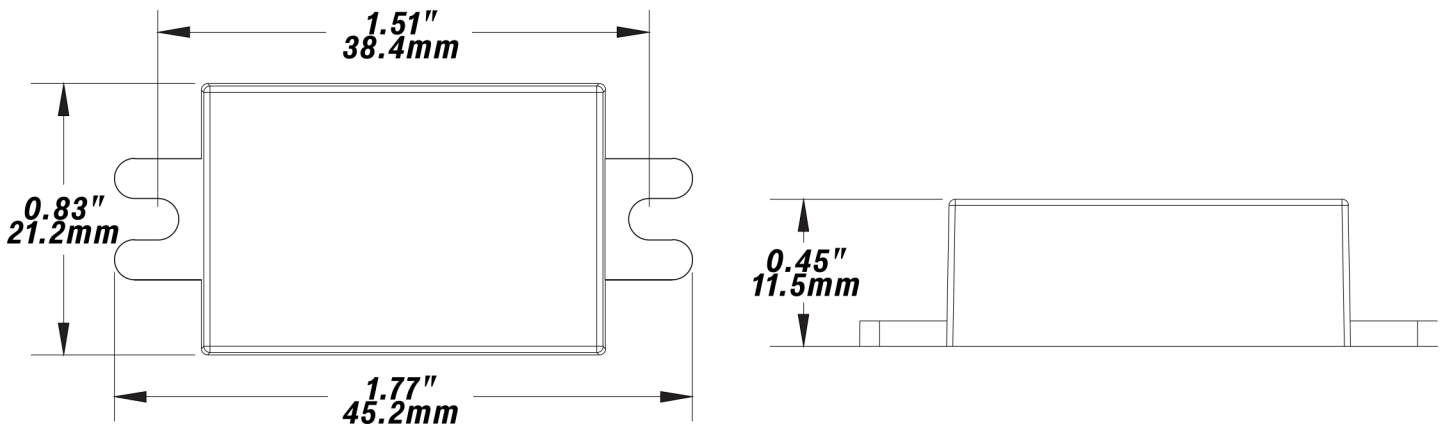


JLS-LLE-PPA102.B1

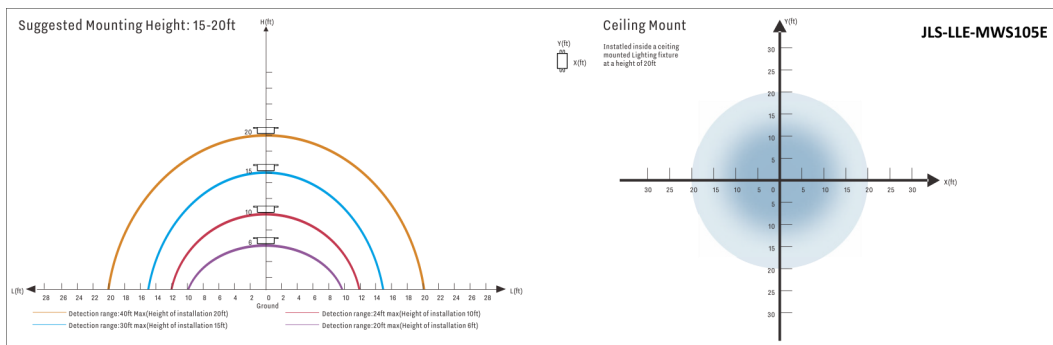


DIMENSIONS

JLS-LLE-MWS105E



COVERAGE



Specifications are typical values and may change without notification

JLS-LLE-MWS105E INTEGRATED 12V Linx MICROWAVE SENSOR

JAYKAL

PRODUCT LABEL



 **LumaLinX Enhanced** **JLS-LLE-MWS105E**
 Input 12VDC, 10mA Keilton
 Eco Sensor Driven by
 FA102/FA102-W V1.0 or
 Smart Driver
 (can not work alone)
 Made in China




Install Guide

WHT	WHT	GND
WHT	SEI	
WHT	MW	
WHT	12V	

The Bluetooth word mark and logos are registered trademarks owned by Bluetooth SIG, Inc. and any use of such marks by LumaLinX is under license. Other trademarks and trade names are those of their respective owners.

APP DOWNLOAD



Specifications are typical values and may change without notification

efficiency. illuminated.