

JLS-LLE-FA102 SERIES

JAYKAL

PROJECT NAME:

JAYKAL LED SOLUTIONS, INC.

www.jaykal.net

PROJECT NOTES:

21499 Baltimore Ave.

Georgetown, DE 19947

(P) 302-295-0015

(F) 302-295-0016

PRODUCT DESCRIPTION

The JLS-LLE-FA102 Integrated Fixture Adapter enables Luminaire Level Lighting Control (LLLC) capabilities in a miniature design with integrated “sensor-ready” functionality. It is powered by 12VDC input from dimmable dim-to-off LED drivers and provides connectivity to non-Bluetooth, eco-sensors.

FEATURES

- 12VDC input
- Integral Bluetooth module
- Designed for integration into luminaires to provide luminaire level lighting control (LLLC)
- Sensor-ready attachment port for LumaLinx Linx Sensors
- 0-10V output



Revised 11/13/24

Specifications are typical values and may change without notification

efficiency. illuminated.

JLS-LLE-FA102 SERIES

JAYKAL

REQUIREMENTS

- Requires both a CC (sensor) and FC (fixture) cable. Not included.
- Eco Sensor (see Eco Sensor Specification Sheet)

SPECIFICATIONS TABLE

JLS-LLE-FA102 SERIES

INPUT VOLTAGE	12VDC
INPUT CURRENT	45mA Max
INPUT POWER	0.5W
OUTPUT VOLTAGE	10VDC
OUTPUT CURRENT	10mA Max
OUTPUT POWER	0.1W
DIMMING	Class 2, 0-10V DC 10mA Max
SINKING CURRENT	10mA Max
BLUETOOTH TRANSMIT	200ft Max
RADIO FREQUENCY	2.4GHz ± 75MHz
BLUETOOTH VERSION	5.0
HOUSING MATERIAL	UL 94-V0
INDOOR/OUTDOOR USE	Indoor Use
OPERATING TEMPERATURE	-30°C to 55°C, -22°F to 131°F
STORAGE TEMPERATURE	-30°C to 85°C, -22°F to 185°F
IP RATING	IP20
COLOR	White
WARRANTY	5 Years
COMPLIANCE	UL8750, UL1376, RoHs

Due to our continued efforts to improve our products, specifications are subject to change without notice.

MODEL	Linx SENSOR	SENSOR INPUT	DUAL 0-10V	CC30/60/120 Linx CONNECTOR**	FC30/60 Adaptor Connector***
JLS-LLE-FA102.B2	JLS-LLE-MWS105E.A0	Microwave****		X	X
JLS-LLE-FA102.C2	JLS-LLE-IFS105E.A0 JLS-LLE-IFS108.A0	PIR, DLH*	X	X	X

* DLH - Daylight Harvesting (DLH)

** CC30/60/120 ECO cable connector - Used to plug ECO Sense family of sensors into FA102 Adaptor ***FC30/60 cable connector from FA102 Adaptor to driver

****Adjustable sensitivity

Specifications are typical values and may change without notification

efficiency. illuminated.

JLS-LLE-FA102 SERIES

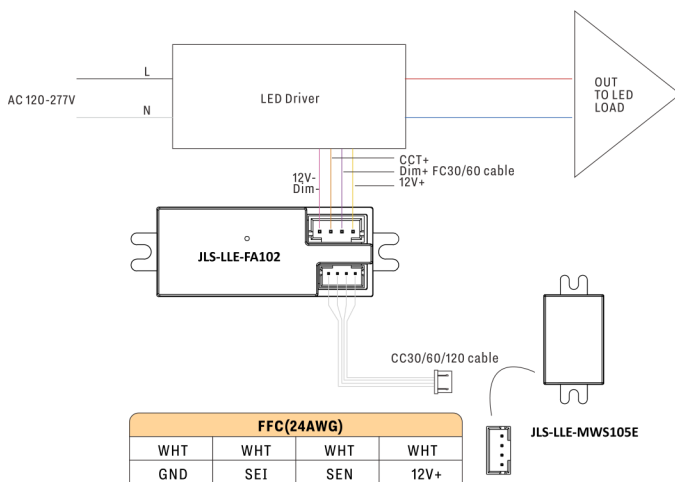
JAYKAL

Accessory Ordering Guide

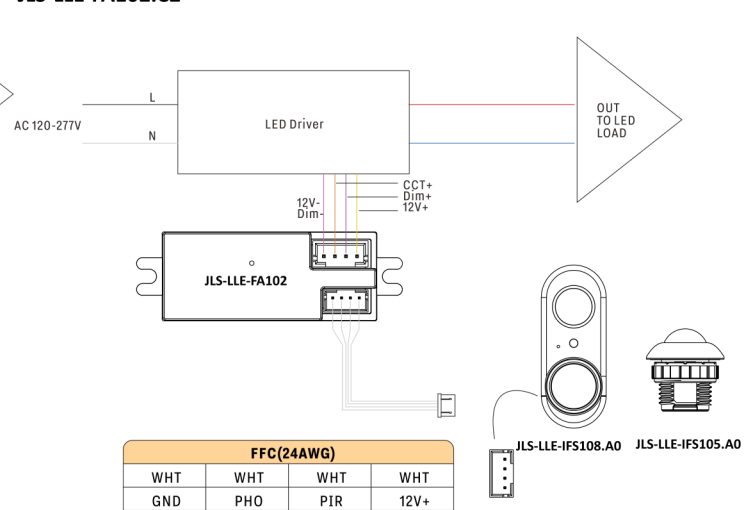
MODEL	DESCRIPTION
JLS-LLE-CC30	2468 24AWG white 300V 80°C Length:300mm, PH2.0-4P on both side cable between adaptor and sensor
JLS-LLE-CC60	2468 24AWG white 300V 80°C Length:600mm, PH2.0-4P on both side cable between adaptor and sensor
JLS-LLE-CC120	2468 24AWG white 300V 80°C Length:1200mm, PH2.0-4P on both side cable between adaptor and sensor
JLS-LLE-FC30	1007 22AWG white 300V 80°C Length:300mm, XH2.54-4P on left side cable (to FA102), dip tin 10mm on right side (to LED driver)
JLS-LLE-FC60	1007 22AWG white 300V 80°C Length:600mm, X H2.54-4P on left side cable (to FA102), dip tin 10mm on right side (to LED driver)
JLS-LLE-MWS105E.AO	Microwave sensor, adjustable sensitivity
JLS-LLE-IFS105E.AO	PIR, DLH sensor
JLS-LLE-IFS108E.AO	PIR, DLH sensor

WIRING

JLS-LLE-FA102.B2



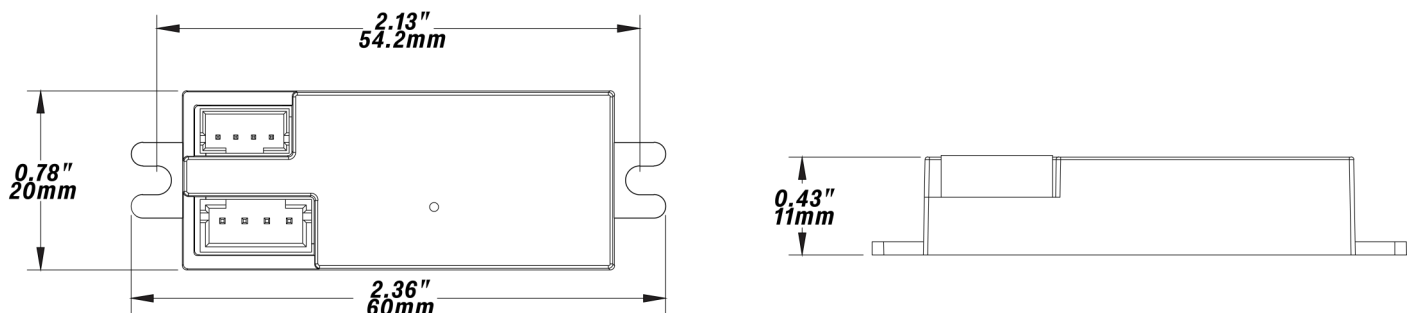
JLS-LLE-FA102.C2



DIMENSIONS

Unit:inch/mm

JLS-LLE-FA102



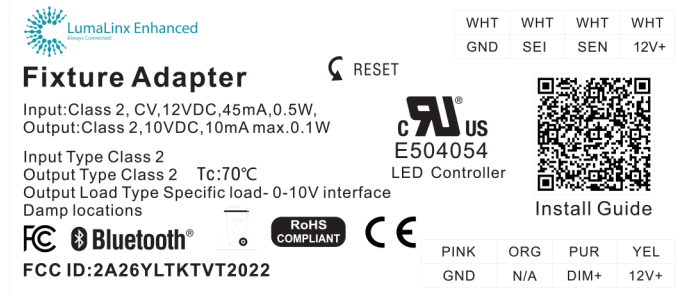
Specifications are typical values and may change without notification


efficiency. illuminated.

JLS-LLE-FA102 SERIES

JAYKAL

PRODUCT LABEL



Fixture Adapter  RESET


Input: Class 2, CV, 12VDC, 45mA, 0.5W,
Output: Class 2, 10VDC, 10mA max. 0.1W

Input Type Class 2
Output Type Class 2 Tc: 70°C
Output Load Type Specific load- 0-10V interface
Damp locations

FCC ID: 2A26YLTKT2022

RoHS COMPLIANT **CE**

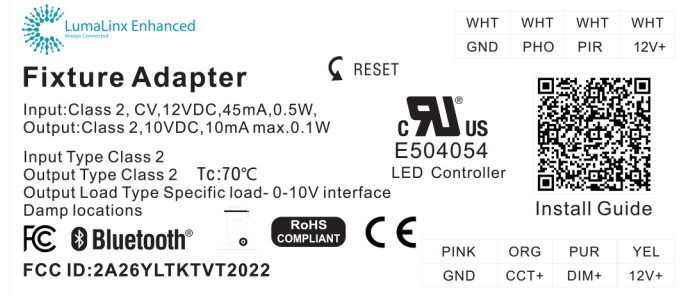
UL US E504054
LED Controller




Install Guide

WHT	WHT	WHT	WHT
GND	SEI	SEN	12V+

PINK	ORG	PUR	YEL
GND	N/A	DIM+	12V+



Fixture Adapter  RESET


Input: Class 2, CV, 12VDC, 45mA, 0.5W,
Output: Class 2, 10VDC, 10mA max. 0.1W

Input Type Class 2
Output Type Class 2 Tc: 70°C
Output Load Type Specific load- 0-10V interface
Damp locations

FCC ID: 2A26YLTKT2022

RoHS COMPLIANT **CE**

UL US E504054
LED Controller



Install Guide

WHT	WHT	WHT	WHT
GND	PHO	PIR	12V+

PINK	ORG	PUR	YEL
GND	CCT+	DIM+	12V+

The Bluetooth word mark and logos are registered trademarks owned by Bluetooth SIG, Inc. and any use of such marks by LumaLinx is under license. Other trademarks and trade names are those of their respective owners.

APP DOWNLOAD



Specifications are typical values and may change without notification

efficiency. illuminated.