

JLS-LLE-EFS107E 12V DUAL-TECH Linx CEILING SENSOR

JAYKAL

PROJECT NAME:

JAYKAL LED SOLUTIONS, INC.

www.jaykal.net

PROJECT NOTES:

21499 Baltimore Ave.

Georgetown, DE 19947

(P) 302-295-0015

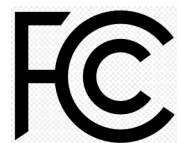
(F) 302-295-0016

PRODUCT DESCRIPTION

The JLS-LLE-EFS107E is a low-voltage, dual-tech ceiling mount room sensor that combines PIR and ultrasonic technologies to provide high accuracy and wide coverage. It is equipped with the **AlgoH™** algorithm to maximize detection while reducing false-ON triggers. The JLS-LLE-EFS107E sensor incorporates daylight harvesting and is intended to operate with a luminaire controller (JLS-LLE-PPA104S.B1, JLS-LLE-PPA104S-D.B1 or JLS-LLE-PPA102S.F1).

FEATURES

- 12V DC input
- Powered by luminaire controllers (JLS-LLE-PPA104S.B1, JLS-LLE-PPA104S-D.B1 or JLS-LLE-PPA102S.F1)
- 600 sq ft room coverage
- Daylight Harvesting
- Dual-tech PIR +Ultrasonic technology provides high accuracy and wide coverage
- **AlgoH™** algorithm maximizes detection while reducing false-ON triggers



Revised 11/19/24

Specifications are typical values and may change without notification

efficiency. illuminated.

JLS-LLE-EFS107E 12V DUAL-TECH Linx CEILING SENSOR

JAYKAL

REQUIREMENTS

- PPA102S.F1/PPA104S.B1/PPA104S-D.B1
- RTP connector

SPECIFICATIONS TABLE

JLS-LLE-EFS107E

INPUT VOLTAGE	12V DC
HOUSING MATERIAL	UL 94-V0
INDOOR/OUTDOOR USE	Indoor Use
OPERATING TEMPERATURE	0°C to 55°C, 32°F to 131°F
STORAGE TEMPERATURE	-30°C to 85°C, -22°F to 185°F
IP RATING	IP20
COLOR	White
WARRANTY	5 Years
COMPLIANCE	RoHS

Due to our continued efforts to improve our products, specifications are subject to change without notice.

Ordering Guide

MODEL	DESCRIPTION
JLS-LLE-EFS107E.A0	12V Dual-Tech Ceiling Linx Sensor

Accessory Ordering Guide

MODEL	VOLTAGE	CONNECTIONS	DESCRIPTION
JLS-LLE-PPA104S.B1	120-277V	Linx-Port / Wire Terminals	20A Luminaire Controller with Linx-Port
JLS-LLE-PPA104S-D.B1	120-277V	Linx-Port / Wire Terminals	20A Luminaire Controller with Contact Closure and Linx-Port
JLS-LLE-PPA102S.F1	120-277V	Linx-Port	6A Luminaire Controller with Linx-Port
JLS-LLE-RTP	N/A	RJ45 Linx-Port/PH2.0	Converter with RJ45 to PH2.0 Connector
JLS-LLE-CAT-R10/25/50	N/A	N/A	Cat5e with Rj45 male connector on each end
JLS-LLE-RJ45-C	N/A	N/A	Rj45 Female to Female

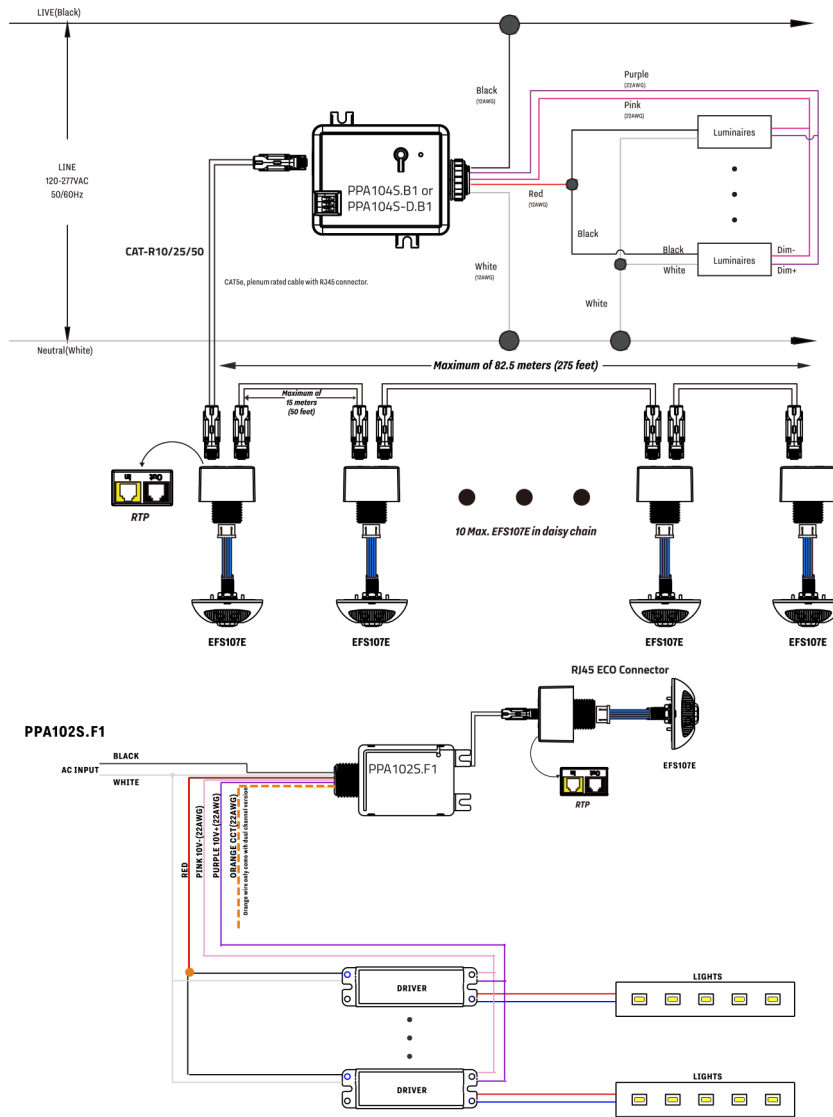
Specifications are typical values and may change without notification

efficiency. illuminated.

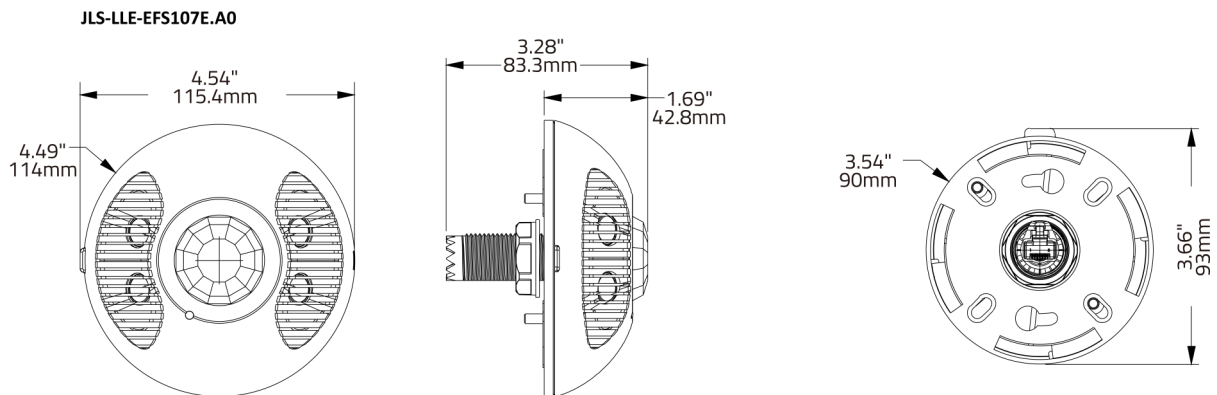
JLS-LLE-EFS107E 12V DUAL-TECH Linx CEILING SENSOR

JAYKAL

WIRING



DIMENSIONS



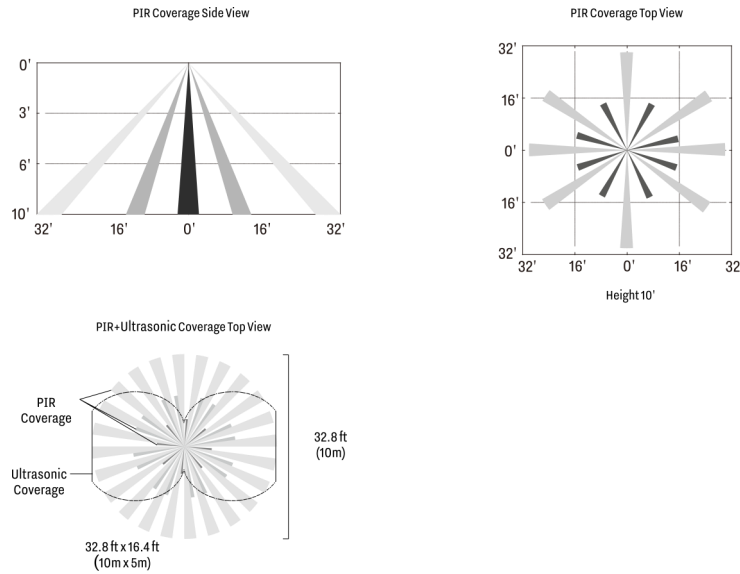
Specifications are typical values and may change without notification

efficiency. illuminated.

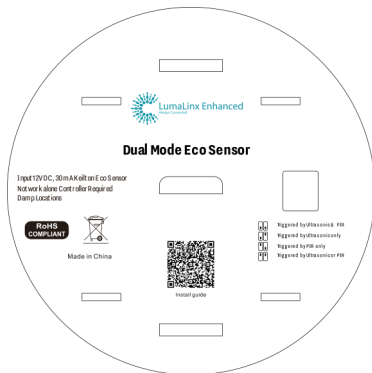
JLS-LLE-EFS107E 12V DUAL-TECH Linx CEILING SENSOR

JAYKAL

COVERAGE PATTERN



PRODUCT LABEL



The Bluetooth word mark and logos are registered trademarks owned by Bluetooth SIG, Inc. and any use of such marks by LumaLinx is under license. Other trademarks and trade names are those of their respective owners.

APP DOWNLOAD



Specifications are typical values and may change without notification

efficiency. illuminated.

JLS-LLE-EFS107E 12V DUAL-TECH Linx CEILING SENSOR

JAYKAL

PRODUCT LABEL



The Bluetooth word mark and logos are registered trademarks owned by Bluetooth SIG, Inc. and any use of such marks by LumaLinx is under license. Other trademarks and trade names are those of their respective owners.

APP DOWNLOAD



Specifications are typical values and may change without notification

efficiency. illuminated.