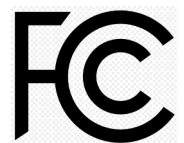


JLS-LLE-CS107S LINE VOLTAGE PIR CEILING SENSOR		JAYKAL
PROJECT NAME:	JAYKAL LED SOLUTIONS, INC. www.jaykal.net 21499 Baltimore Ave. Georgetown, DE 19947 (P) 302-295-0015 (F) 302-295-0016	
PROJECT NOTES:		

PRODUCT DESCRIPTION

The JLS-LLE-CS107S is a line-voltage PIR occupancy/vacancy sensor with an integrated photocell that provides an adjustable ambient light “Hold-OFF” feature. If ambient light exceeds a programmed threshold, the sensor will keep lights off, even when occupancy is detected. Commissioning via the LumaLinx app allows the sensor to turn a load on and hold it on while it detects motion. The JLS-LLE-CS107S works seamlessly together with other wireless devices in the LumaLinx system.

- FEATURES**
- 120-277VAC input
 - 600 sq ft room coverage with PIR sensing technology
 - Wireless Bluetooth connection to other Keilton+autani devices
 - Configurable for occupancy or vacancy mode



Revised 11/13/24

Specifications are typical values and may change without notification

efficiency. illuminated.

JLS-LLE-CS107S LINE VOLTAGE PIR CEILING SENSOR

JAYKAL

SPECIFICATIONS TABLE

JLS-LLE-CS107S

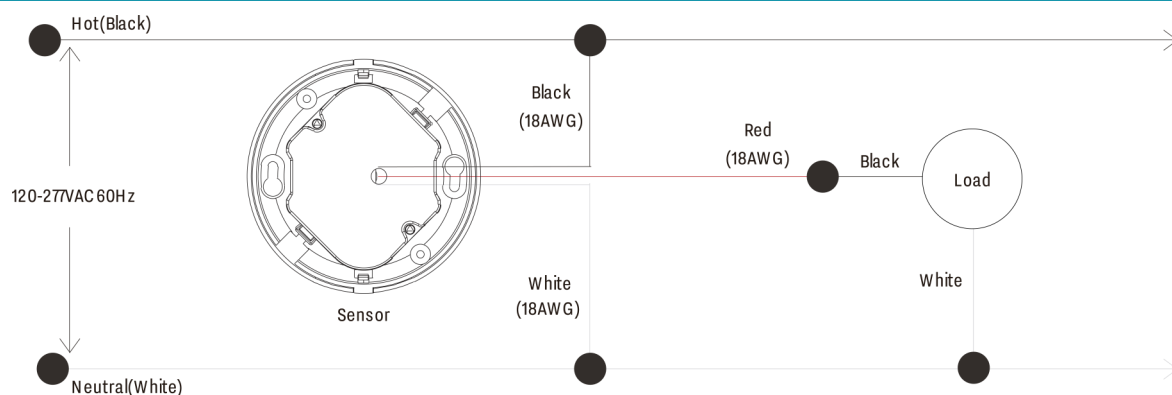
INPUT VOLTAGE	120-277VAC
FREQUENCY	60Hz
INCANDESCENT	1200W Max @ 120VAC
ELECTRONIC BALLAST	1200W Max @ 120VAC / 2400W Max @ 277VAC
RESISTIVE	10A Max @ 120VAC
MOTOR	1/4 HP @ 120VAC
BLUETOOTH TRANSMIT	100ft Max
RADIO FREQUENCY	2.4GHz ± 75MHz
BLUETOOTH VERSION	5.0
HOUSING MATERIAL	UL 94-5VA
INDOOR/OUTDOOR USE	Indoor Use
OPERATING TEMPERATURE	0°C to 55°C, 32°F to 131°F
STORAGE TEMPERATURE	-30°C to 85°C, -22°F to 185°F
IP RATING	IP20
COLOR	White
WARRANTY	5 Years
COMPLIANCE	UL8750, RoHS

Due to our continued efforts to improve our products, specifications are subject to change without notice.

Ordering Guide

MODEL	DESCRIPTION
JLS-LLE-CS107S.A0	Line Voltage PIR Ceiling Sensor

WIRING



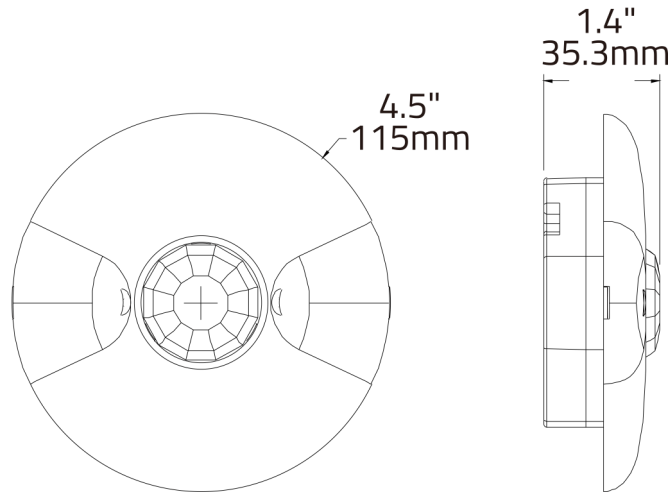
Specifications are typical values and may change without notification

JLS-LLE-CS107S LINE VOLTAGE PIR CEILING SENSOR

JAYKAL

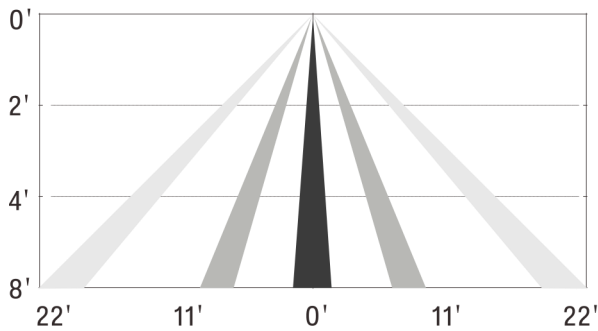
DIMENSIONS

Unit:inch/mm



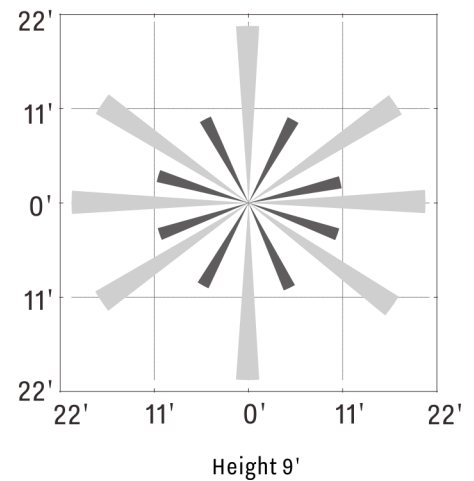
COVERAGE PATTERN

Coverage Side View



PIR Coverage Side View

Coverage Top View



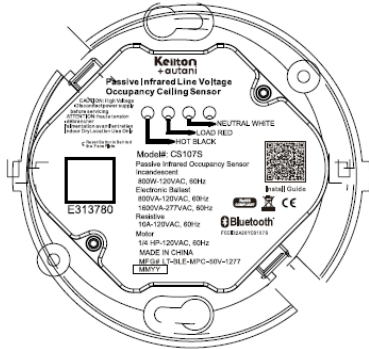
Specifications are typical values and may change without notification

efficiency. illuminated.

JLS-LLE-CS107S LINE VOLTAGE PIR CEILING SENSOR

JAYKAL

PRODUCT LABEL



The Bluetooth word mark and logos are registered trademarks owned by Bluetooth SIG, Inc. and any use of such marks by LumaLinx is under license. Other trademarks and trade names are those of their respective owners.

APP DOWNLOAD



Specifications are typical values and may change without notification

efficiency. illuminated.