

## JLS-LLE-BRLE SERIES

## JAYKAL

PROJECT NAME:

**JAYKAL LED SOLUTIONS, INC.**

[www.jaykal.net](http://www.jaykal.net)

PROJECT NOTES:

21499 Baltimore Ave.

Georgetown, DE 19947

(P) 302-295-0015

(F) 302-295-0016

### PRODUCT DESCRIPTION

The JLS-LLE-BRLE series of Bluetooth-enabled light engine kits are UL-Classified retrofit solutions designed for seamless integration into new or existing luminaires. With three size options, these kits boast an integrated Bluetooth module and a driver on-board design, enabling direct connection to line voltage power. The integrated module facilitates wireless control and integration into the LumaLinX Bluetooth mesh system, allowing setup and control via mobile app, and seamless linking with sensors throughout the application zone for smooth wireless operation. Additionally, these light engines offer tunable white light and a frosted lens cover for glare-free illumination. Each kit includes a magnet for innovative and easy reset, ensuring a hassle-free installation and user experience.

### FEATURES

- Wireless control via LumaLinX app
- 120V driver-on-board design for direct line voltage connection
- UL Classified for safe and compliant retrofit applications
- Color-tunable white light
- Integrated frosted glare-free UL-rated cover
- Bluetooth mesh network 5.0
- Innovative magnetic reset feature (magnet included)



Revised 11/12/24

*Specifications are typical values and may change without notification*

**efficiency. illuminated.**

## JLS-LLE-BRLE SERIES

**JAYKAL**

### SPECIFICATIONS TABLE

#### JLS-LLE-BRLE SERIES

INPUT VOLTAGE	120VAC
FREQUENCY	60Hz
INPUT CURRENT	3inch: 0.1A, 4inch: 0.14A/0.11A, 5.5inch: 0.19A
INPUT POWER	3inch: 10W, 4inch: 17W/13W, 5.5inch: 23W
BLUETOOTH TRANSMIT	200ft Max
RADIO FREQUENCY	2.4GHz ± 75MHz
BLUETOOTH VERSION	5.0
HOUSING MATERIAL	UL 94-V0
INDOOR/OUTDOOR USE	Indoor Use Only
OPERATING TEMPERATURE	-30°C to 45°C, -22°F to 113°F
STORAGE TEMPERATURE	-30°C to 85°C, -22°F to 185°F
IP RATING	IP20
COLOR	White
WARRANTY	5 Years
COMPLIANCE	UL1598C,UL8750,UL1376,RoHS

Due to our continued efforts to improve our products, specifications are subject to change without notice.

EQUIVALENCIES 3"	EQUIVALENCIES 4"	EQUIVALENCIES 5.5"
<ul style="list-style-type: none"> <li>1x60W Incandescent</li> <li>1x18W CFL</li> </ul>	<ul style="list-style-type: none"> <li>2x40W Incandescent</li> <li>2x11W CFL</li> <li>20W T9 Circline</li> </ul>	<ul style="list-style-type: none"> <li>2x60W Incandescent</li> <li>2x13W CFL</li> <li>20W T9 Circline</li> </ul>

## Ordering Guide

MODEL	VERSION	LUMENS	PF	CRI	TITLE 24	DIFFUSER AND HEATSINK	CCT
JLS-LLE-B3RLE27120CDTDH JLS-LLE-B4RLE27120CDTDH JLS-LLE-B5.5RLE27120CDTDH	Bluetooth Round Light Engine Retrofit Kit	700lm 1100lm 1500lm	>0.9	90+	YES	DH	2700K
JLS-LLE-B4RLEU120CDTDHT JLS-LLE-B5.5RLEU120CDTDHT	Bluetooth Round Light Engine Retrofit Kit with Color Tuning	800lm 1200lm	>0.9	90+	YES	DH	2700K

*Specifications are typical values and may change without notification*

**efficiency. illuminated.**

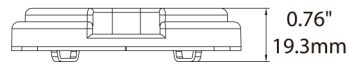
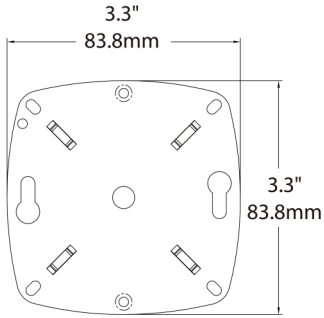
**JLS-LLE-BRLE SERIES**

**JAYKAL**

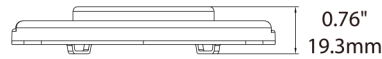
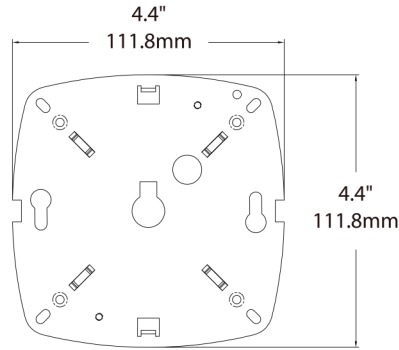
**DIMENSIONS**

Unit:inch/mm

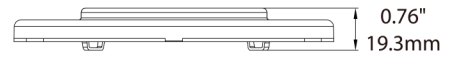
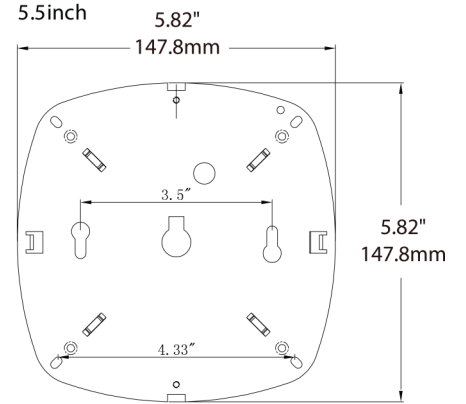
3inch



4inch



5.5inch



**APP DOWNLOAD**



*Specifications are typical values and may change without notification*

**efficiency. illuminated.**