

**JLS-LLE-IWS02 OCCUPANCY AND VACANCY SENSOR SWITCH** **JAYKAL**

PROJECT NAME:	<b>JAYKAL LED SOLUTIONS, INC.</b> <b>www.jaykal.net</b>
PROJECT NOTES:	21499 Baltimore Ave. Georgetown, DE 19947 (P) 302-295-0015 (F) 302-295-0016

**PRODUCT DESCRIPTION**

The JLS-LL-IWS02 series passive infrared (PIR) sensor detects human motion by sensing heat signatures against the background. When motion is detected, the sensor switch turns on the load, keeping it on during occupancy. After no motion is detected for a set time period, the load automatically turns off. The IWS02 includes one relay and an ambient light level sensor for hold-off functionality, which ensures the lighting load remains off when the light level exceeds the threshold setting.

**FEATURES**

- 120-277V Universal Voltage
- Occupancy/Vacancy (2-in-1)
- Integrated PIR Sensor and Photo Sensor



# JLS-LLE-IWS02 OCCUPANCY AND VACANCY SENSOR SWITCH

JAYKAL

## SPECIFICATIONS TABLE

### JLS-LL-IWS02

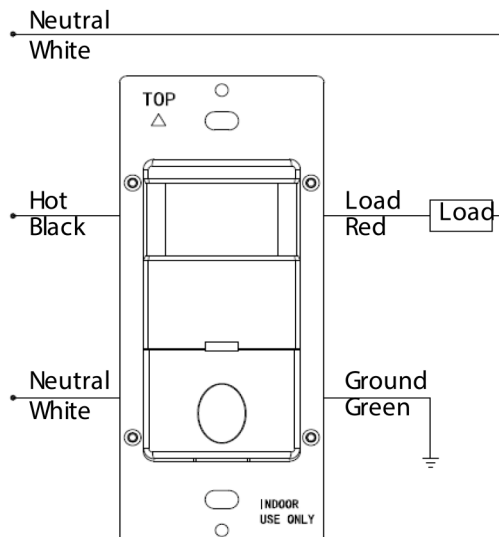
INPUT VOLTAGE	120-277VAC
FREQUENCY	60Hz
RESISTIVE	10A-120VAC
TUNGSTEN	800W-120VAC
ELECTRONIC BALLAST	800VA@120VAC, 1600VA@277VAC
MOTOR	1/4HP-120VAC
HOUSING MATERIAL	UL 94-5VA, Indoor Use Only
OPERATING TEMPERATURE	0°C to 55°C, 32°F to 131°F
STORAGE TEMPERATURE	-30°C to 85°C, -22°F to 185°F
IP RATING	IP20
COLOR	Plate/White, Housing/Black
WARRANTY	5 Years
COMPLIANCE	UL773A, RoHS
SAFETY	cULus Listed E313780 Photoelectric Switches

Due to our continued efforts to improve our products, specifications are subject to change without notice.

## Ordering Guide

MODEL	Description
JLS-LLE-IWS02.A0	Occupancy and Vacancy Sensor Switch

## WIRING



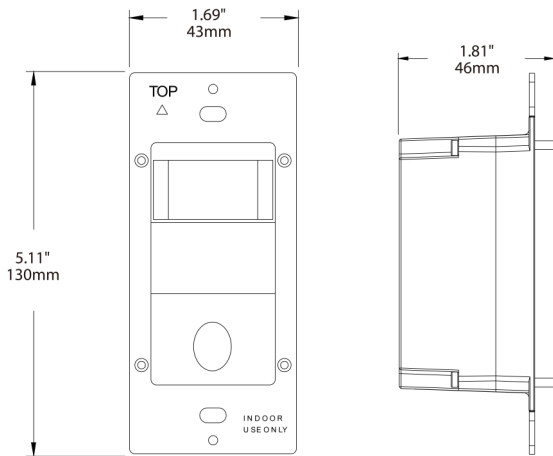
*Specifications are typical values and may change without notification*

efficiency. illuminated.

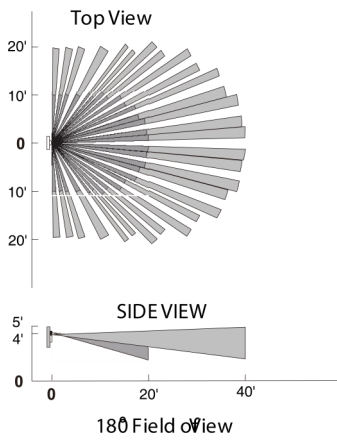
**JLS-LLE-IWS02 OCCUPANCY AND VACANCY SENSOR SWITCH**

**JAYKAL**

**DIMENSIONS**

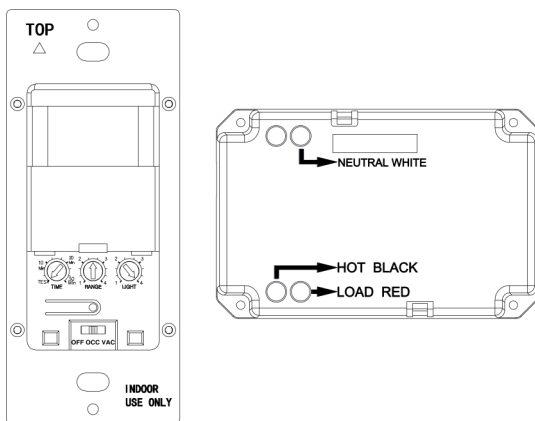


**DETECTION AREA**



Best: 320 sq.ft.  
Regular: 800 sq.ft.  
Maximum: 1200 sq.ft.

**PRODUCT LABEL**



*Specifications are typical values and may change without notification*

**efficiency. illuminated.**