



JLS-LLE-IFS08-ET 12V MICROWAVE SENSOR WITH PHOTOCELL **JAYKAL**

PROJECT NAME:	JAYKAL LED SOLUTIONS, INC. www.jaykal.net
PROJECT NOTES:	21499 Baltimore Ave. Georgetown, DE 19947 (P) 302-295-0015 (F) 302-295-0016

PRODUCT DESCRIPTION

The JLS-LL-IFS08ET is a compact microwave sensor that combines occupancy sensing with a photocell. When used with 0-10V dim-to-off LED drivers, it can be easily added to luminaires.

FEATURES

- Operates with 0-10VDC dim-to-off LED drivers
- Setting configurations are performed with the RM51 Remote Controller (not included)



JLS-LLE-IFS08-ET 12V MICROWAVE SENSOR WITH PHOTOCELL

JAYKAL

SPECIFICATIONS TABLE

JLS-LL-IFS08-ET

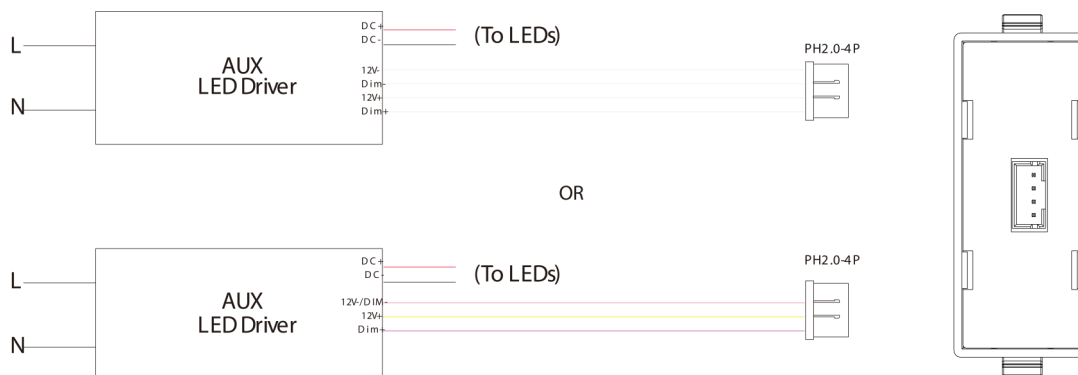
INPUT VOLTAGE	12VDC ±1V
INPUT CURRENT	40mA
STANDBY POWER	<0.8W
SINKING CURRENT	≤10mA
DETECTION RANGE	45ft Max
MOUNTING HEIGHT	20ft Max
IR REMOTE DISTANCE	Max 20'
OPERATING TEMPERATURE	-30°C to 55°C, -22°F to 131°F
IP RATING	IP20
COLOR	White
WARRANTY	5 Years
COMPLIANCE	UL8750, RoHS
SAFETY	cULus Recognized Component LED Controller E504054

Due to our continued efforts to improve our products, specifications are subject to change without notice.

Ordering Guide

MODEL	Description
JLS-LLE-IFS08ET.A2	Internal Photo/Microwave Motion Sensor

WIRING

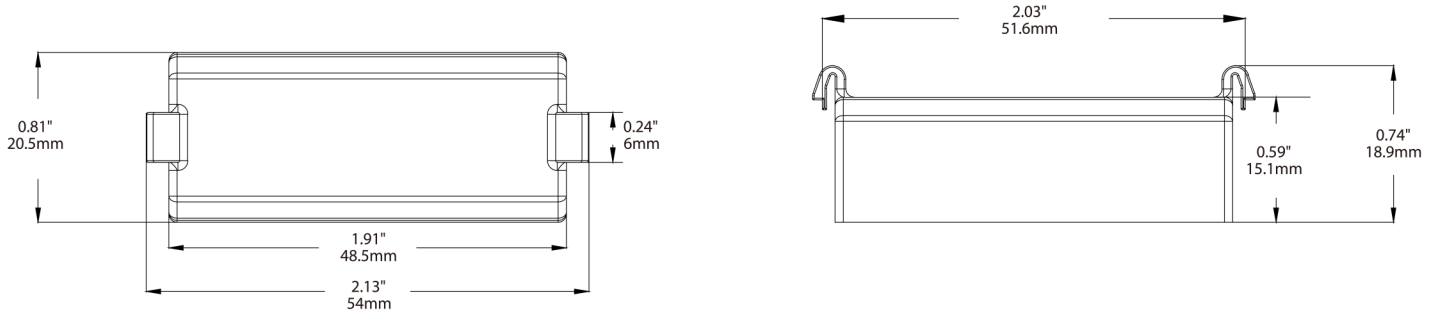


Specifications are typical values and may change without notification

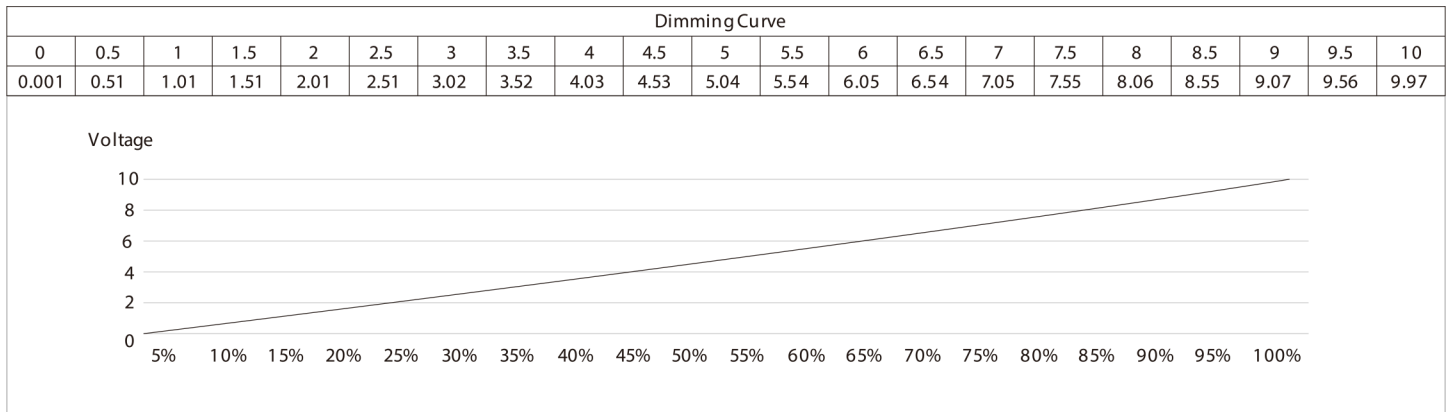
JLS-LLE-IFS08-ET 12V MICROWAVE SENSOR WITH PHOTOCELL JAYKAL

DIMENSIONS

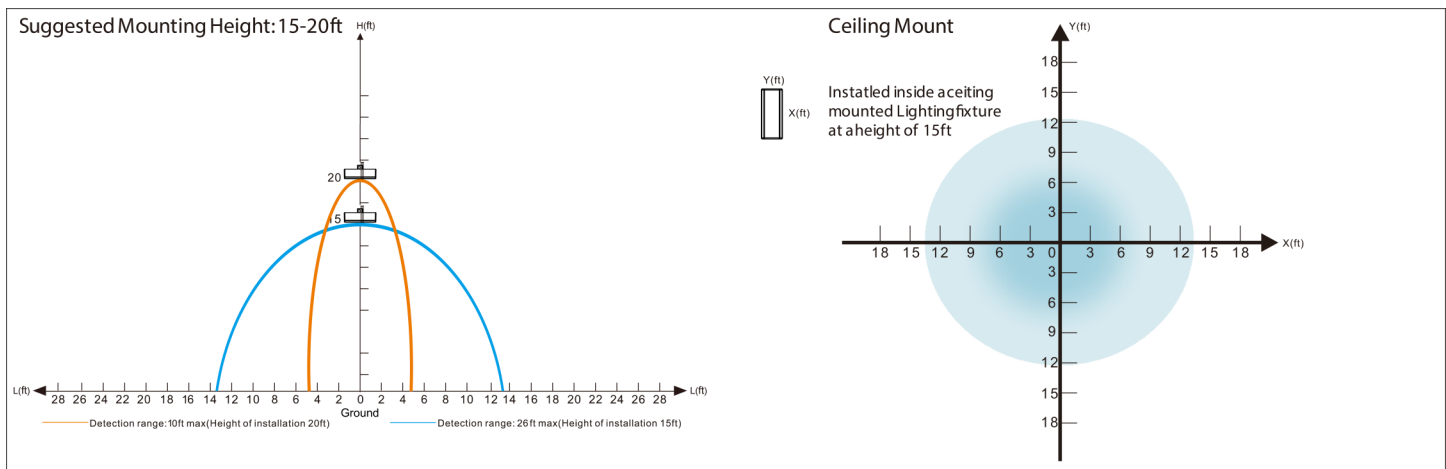
Unit: inch/mm



DIMMING CURVE



COVERAGE

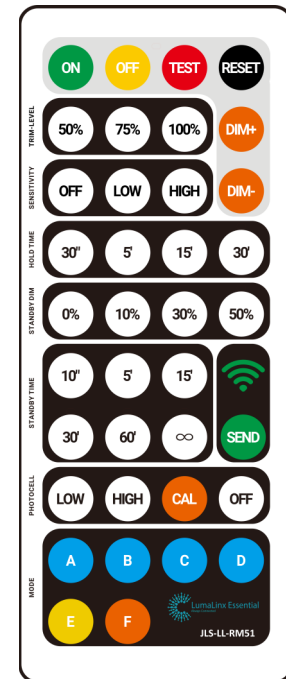


Specifications are typical values and may change without notification

efficiency. illuminated.

REMOTE GUIDE

ON	Turns ON luminaires.
OFF	Turns OFF luminaires.
TEST	Test mode will last 5 minutes, then return to the previous setting. In test mode, the hold time is 2 seconds, SDL is 50% and the standby time is 2 seconds.
RESET	Trim-High = 100%, Sensitivity = High, T1 = 5 min, Standby Dim = 30% T2 = 60 min, Photocell = OFF.
DIM+/-	Remote will manually dim the luminaire up or down in increments of 0.5 volts. Smooth dimming should occur when holding the dimming button.
TRIM-LEVEL	Set maximum threshold value at 50% 75% or 100%.
SENSITIVITY	OFF (PIR OFF, Enter PC ON/OFF function) / LOW (50%) / HIGH (100%).
HOLDTIME	Time of no occupancy after which the fixture goes to standby: 30s / 5 min / 15 min / 30 min.
FMODE DAYLIGHT HARVESTING	(Enable/Disable) Measures and sets a feature to allow the fixture to maintain a light level when turned ON.
STANDBY DIM	Select any standby dim level: 0%/ 10%/ 30%/ 50%
STANDBY TIME	10s / 5 min / 15 min / 30 min / 1h / ∞. "∞" means the standby time is infinite, and the fixture is effectively controlled by the daylight sensor.
PHOTOCELL	LOW (1fc) / HIGH (50fc) / CAL (Collects the current Lux Level) ON.
MODE	Set settings to a program profile (A to F).
SEND	Send settings to the sensor.
DEFAULT MODE A	Trim-High = 100% Sensitivity = Low, T1 = 30 min, Standby Dim = 50% T2 = ∞, Photocell = CAL.
DEFAULT MODE B	Trim-High = 100% Sensitivity = Low, T1 = 30 min, Standby Dim = 50% T2 = 15 min, Photocell = CAL.
DEFAULT MODE C	Trim-High = 100% Sensitivity = Low, T1 = 30 min, Standby Dim = 50% T2 = 15 min, Photocell = OFF.
DEFAULT MODE D	Trim-Low = 50% Sensitivity = Low, T1 = 30 min, Standby Dim = 50% T2 = 30 min, Photocell = CAL.
DEFAULT MODE E	Manual Mode, Trim-High = 100%
DEFAULT MODE F	Daylight Harvesting, Trim-Low = 50% Sensitivity = Low, T1 = 15 min.



Specifications are typical values and may change without notification

efficiency. illuminated.