

JLS-LLE-EFS07-AUX HIGH BAY SENSOR

JAYKAL

PROJECT NAME:

JAYKAL LED SOLUTIONS, INC.

www.jaykal.net

PROJECT NOTES:

21499 Baltimore Ave.

Georgetown, DE 19947

(P) 302-295-0015

(F) 302-295-0016

PRODUCT DESCRIPTION

JLS-LL-EFS07-AUX is PIR sensor combines occupancy sensing with photocell. When used with 0-10V dim-to-off LED drivers, it enables any lighting manufacturer to deliver sensor-equipped fixtures with minimal engineering effort. It operates on 12V DC which can be supplied by a LED driver, which will save OEM cost on manufacturer side. Different modes can be selected according to different applications through JLS-LL-RM51 IR remote controller. The integrated photocell can switch the lights on and off for dusk to dawn control, so that lighting remains on overnight even without motion detection. Under daylight harvesting mode, the auto-calibration function can control the amount of electric light by measuring the overall combined natural and electric light to achieve the desired light level working with JLS-LL-SC01/SC02 receptacle.

FEATURES

- Suitable for high bay applications
- 2.5mm male audio connector connector enables easy plug in integration for luminaire level lighting control (LLLC)
- Operates on 12V DC supplied by a 0-10V LED driver
- Integrated photocell enables dusk-to-dawn operation independent of motion detection.
- Daylight Harvesting Mode
- Auto-calibrates in Daylight Harvesting mode to reach target illumination by measuring combined natural and electric light



Revised 11/21/24

Specifications are typical values and may change without notification

efficiency. illuminated.

JLS-LLE-EFS07-AUX HIGH BAY SENSOR

JAYKAL

SPECIFICATIONS TABLE

JLS-LL-EFS07-AUX

INPUT VOLTAGE	12VDC ±1V
INPUT CURRENT	8mA Max
INPUT POWER	0.1W
OUTPUT CURRENT	10mA Max
OUTPUT POWER	0.1W
DIMMING	Class 2, 0-10V DC 10mA Max
SINKING CURRENT	10mA Max
HOUSING MATERIAL	UL 94-5VA
DETECTION RANGE	40-80ft Max
MOUNTING HEIGHT	20-40ft Max
IR REMOTE DISTANCE	Max 26'
OPERATING TEMPERATURE	-30°C to 70°C, -22°F to 159°F
STORAGE TEMPERATURE	-30°C to 85°C, -22°F to 185F
IP RATING	IP20
COLOR	White
WARRANTY	5 Years
COMPLIANCE	UL8750, RoHS
SAFETY	cULus Listed E504054 Low Bay Sensor

Due to our continued efforts to improve our products, specifications are subject to change without notice.

Ordering Guide

MODEL	Description
JLS-LLE-EFS07-AUX	Fixture Integrated PIR&Daylight Harvesting & Photocell on/off Sensor
JLS-LL-EFS07-Z10	Fixture Integrated PIR&Daylight Harvesting & Photocell on/off Sensor
JLS-LL-HBL1-2-W	High Bay Lens
JLS-LL-SC01-AUX	3.5mm Audio receptacle
JLS-LL-SC01-OES	3.5mm Audio receptacle
JLS-LL-SC02-AUX	3.5mm Audio 90° external adapter

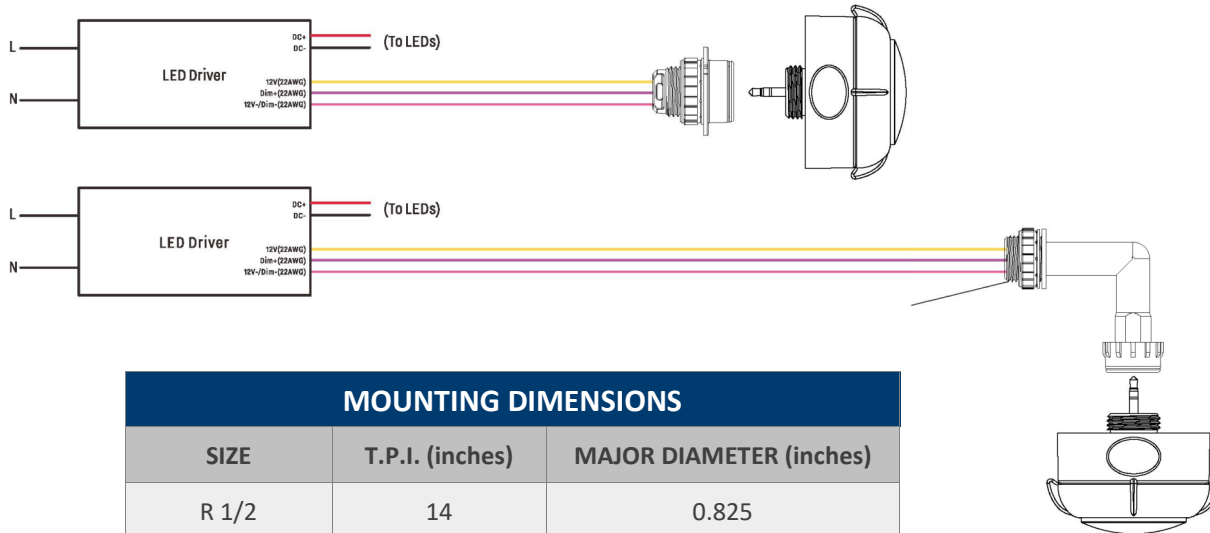
Specifications are typical values and may change without notification

efficiency. illuminated.

JLS-LLE-EFS07-AUX HIGH BAY SENSOR

JAYKAL

WIRING

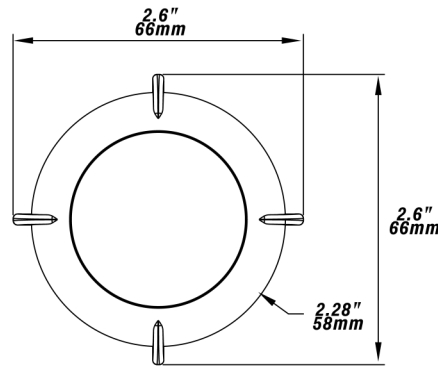
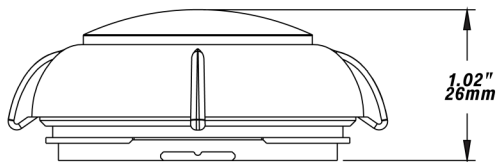


MOUNTING DIMENSIONS		
SIZE	T.P.I. (inches)	MAJOR DIAMETER (inches)
R 1/2	14	0.825

COVERAGE

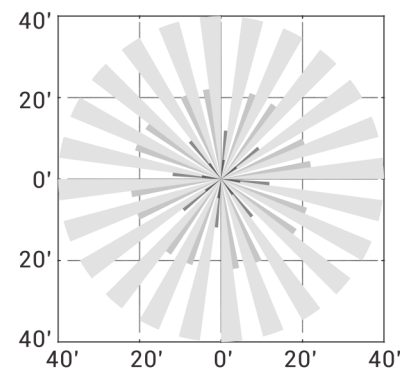
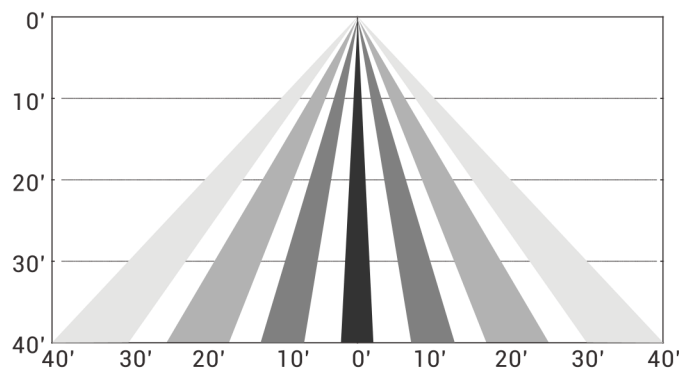
Unit:inch/mm

JLS-LLE-HBL1



Coverage Side View

Coverage Top View



Height 40ft

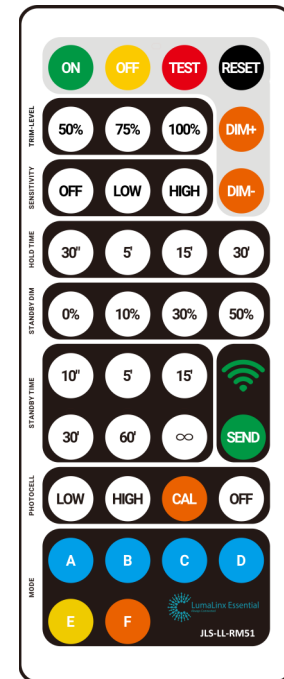
Specifications are typical values and may change without notification

JLS-LLE-EFS07-AUX HIGH BAY SENSOR

JAYKAL

REMOTE GUIDE

ON	Turns ON luminaires.
OFF	Turns OFF luminaires.
TEST	Test mode will last 5 minutes, then return to the previous setting. In test mode, the hold time is 2 seconds, SDL is 50% and the standby time is 2 seconds.
RESET	Trim-High = 100%, Sensitivity = High, T1 = 5 min, Standby Dim = 30% T2 = 60 min, Photocell = OFF.
DIM+/-	Remote will manually dim the luminaire up or down in increments of 0.5 volts. Smooth dimming should occur when holding the dimming button.
TRIM-LEVEL	Set maximum threshold value at 50% 75% or 100%.
SENSITIVITY	OFF (PIR OFF, Enter PC ON/OFF function) / LOW (50%) / HIGH (100%).
HOLDTIME	Time of no occupancy after which the fixture goes to standby: 30s / 5 min / 15 min / 30 min.
FMODE DAYLIGHT HARVESTING	(Enable/Disable) Measures and sets a feature to allow the fixture to maintain a light level when turned ON.
STANDBY DIM	Select any standby dim level: 0%/ 10%/ 30%/ 50%
STANDBY TIME	10s / 5 min / 15 min / 30 min / 1h / ∞. "∞" means the standby time is infinite, and the fixture is effectively controlled by the daylight sensor.
PHOTOCELL	LOW (1fc) / HIGH (50fc) / CAL (Collects the current Lux Level) ON.
MODE	Set settings to a program profile (A to F).
SEND	Send settings to the sensor.
DEFAULT MODE A	Trim-High = 100% Sensitivity = Low, T1 = 30 min, Standby Dim = 50% T2 = ∞, Photocell = CAL.
DEFAULT MODE B	Trim-High = 100% Sensitivity = Low, T1 = 30 min, Standby Dim = 50% T2 = 15 min, Photocell = CAL.
DEFAULT MODE C	Trim-High = 100% Sensitivity = Low, T1 = 30 min, Standby Dim = 50% T2 = 15 min, Photocell = OFF.
DEFAULT MODE D	Trim-Low = 50% Sensitivity = Low, T1 = 30 min, Standby Dim = 50% T2 = 30 min, Photocell = CAL.
DEFAULT MODE E	Manual Mode, Trim-High = 100%
DEFAULT MODE F	Daylight Harvesting, Trim-Low = 50% Sensitivity = Low, T1 = 15 min.



Specifications are typical values and may change without notification

efficiency. illuminated.