



LED Door Retrofit Kit Installation Instructions

These Instructions are applicable to Jaykal 1X4, 2x2 and 2x4 G2TRF Recessed Troffer Retrofit Kits

Contents

1-JLS68102-XXG2TRF-XYZ Door Frame Kit

2-Side Mounting Brackets (See PIC #1)

2-Trim Bars (See PIC#1A)

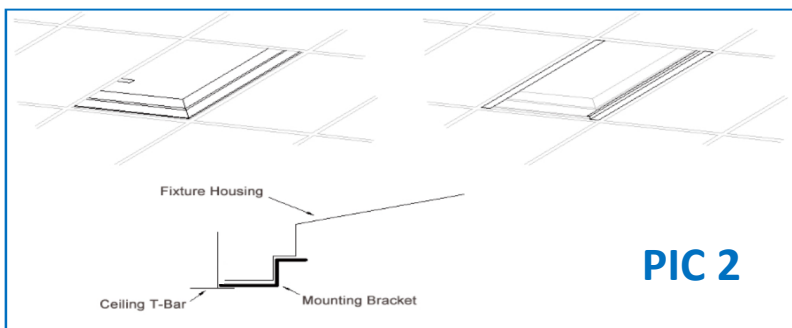
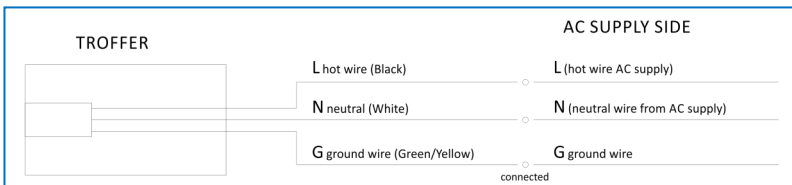
PIC 1



PIC 1A



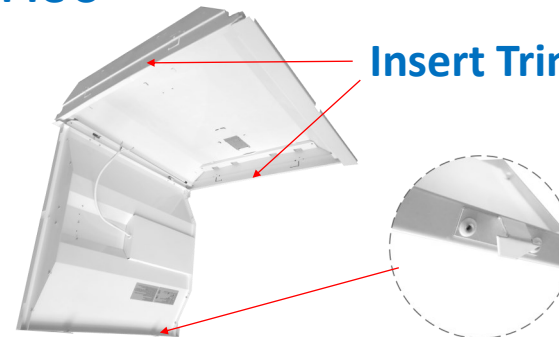
Wiring Diagram



Instructions

1. Disconnect the power circuit to the fixture.
2. Remove existing door frame and lamps. If clearance permits, leave ballast and socket bars inside the existing fixture. Otherwise, remove these parts as needed. Please dispose of lamps and ballasts properly.
3. Lift existing troffer housing and insert the hinge side mounting bracket between the troffer housing and the drop ceiling T-Bar and lower the troffer housing back into position. Repeat this operation for the latch side mounting bracket. (See Pic 2)
4. Hang the door kit onto the mounting bracket using the hinges (See Pic 3).
5. Connect power to the fixture (100-277VAC). (See Wiring Diagram)
6. Close the door kit and secure the latches. (See Pic 4)
7. Insert the supplied trim bars (PIC 1A) between the drop ceiling T-Bar and the troffer housing on each end of the troffer (See Pic 3). This will cover any gap that exists on the ends of the troffer creating a seamless finish and additional strength.
8. Reconnect the power circuit to the fixture.

PIC 3



PIC 4

