

JAYKAL G2 LED FLOOD LIGHTS



JAYKAL

Installation Procedures

PRODUCT APPLICATIONS

JAYKAL LED Flood Lighting can be widely used in outdoor lighting locations. Ideal for wet locations requiring IP65 protection, they provide an excellent solution for applications such as architectural up lighting, sign illumination and landscape lighting.



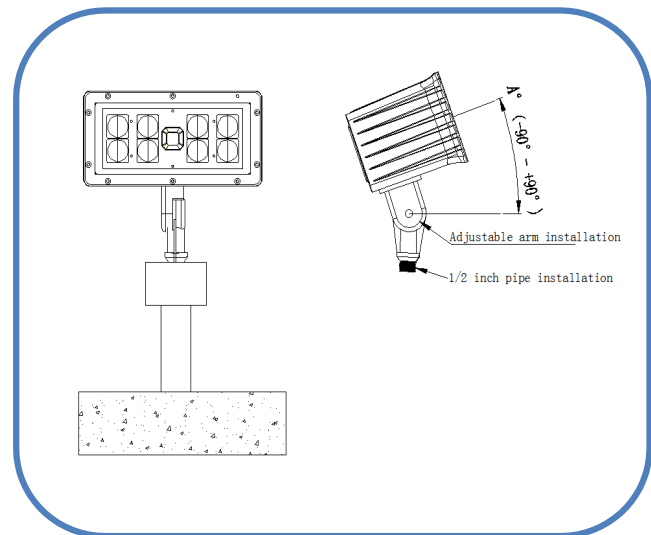
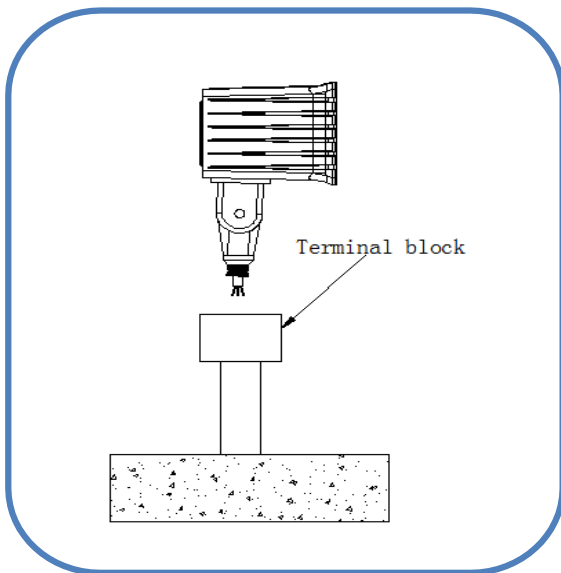
Knuckle Mounting:

Step 1:

The knuckle is sized to fit 1/2 inch threaded electrical hardware. Screw the fixture onto the mount and align to the desired horizontal position. Connect power wires using wire nuts.

Step 2:

Loosen the adjustment screw located in the middle of the mounting arm set the elevation of the floodlight to the desired angle. Tighten the screw securely. Make sure all electrical connections are correct and close the electrical box.





Trunnion Mounting:

Step 1:

Drill and install anchors for 8mm screws spaced as in Figure 1. For wall mounting, please make sure the holes are level.

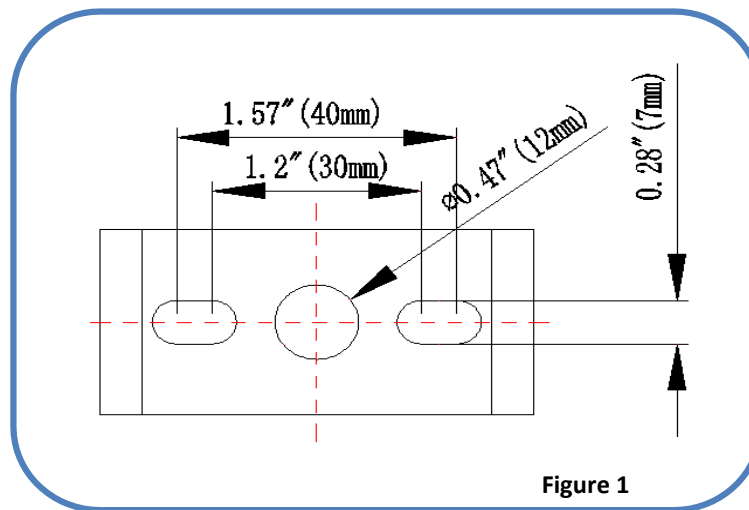
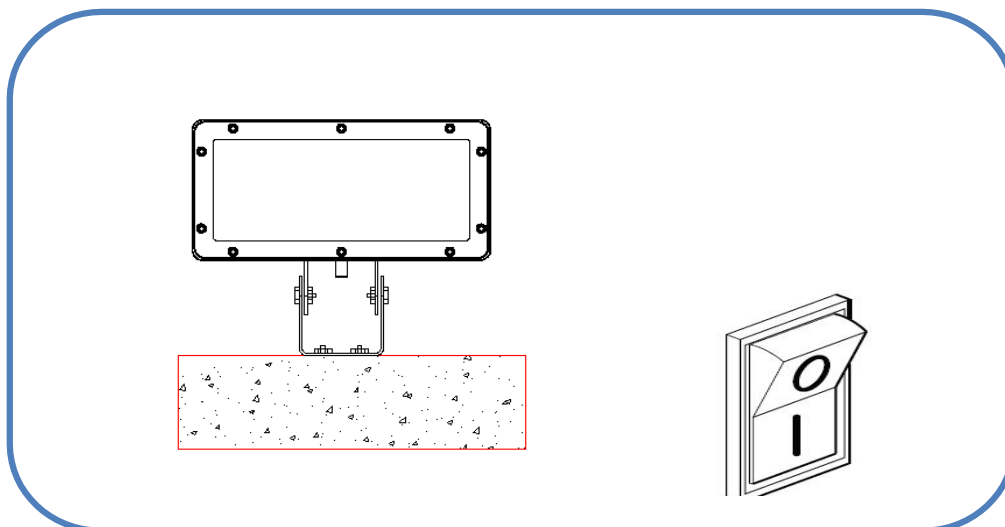


Figure 1

Step 2:

Mount the fixture using two 8mm screws and tighten securely. Loosen the angle adjustment screws on the bracket and adjust the angle of light to the desired position. Retighten the adjustment screws. Make sure all electrical connections are correct. The installation is now complete.





QUALITY ASSURANCE

- ◆ Quality assurance is contingent upon on the proper storage, transportation, proper packaging, installation, and performance of ongoing maintenance.
- ◆ Damages caused by improper installation or unintended applications are not covered under warranty.
- ◆ During the warranty period, the manufacturer will provide appropriate support and repair services as described in the warranty.

SAFETY

- ◆ Be aware of product features, size, dimensions, weight etc. during handling and installation.
- ◆ Handle with care during transportation and installation.
- ◆ Do not touch lamps or fixtures while the power is on.
- ◆ Heat is normal when lamps or fixtures are powered on, please use caution when working near fixtures.

WARNING

- ◆ JAYKAL Flood Lights must be installed in accordance with the product specifications and instructions, by a lighting or electrical professional.
- ◆ Avoid fire and electric shock hazards. When installing the lighting fixtures, you must be familiar with the electrical environment, wiring, etc. Do not install this product if you are unsure of the required electrical codes. Contact your electrician.
- ◆ Prior to installation, be sure to have a sound understanding of all structural features, as well as product dimensions.
- ◆ Do not drill new holes or make changes to the existing wiring or product design during installation.