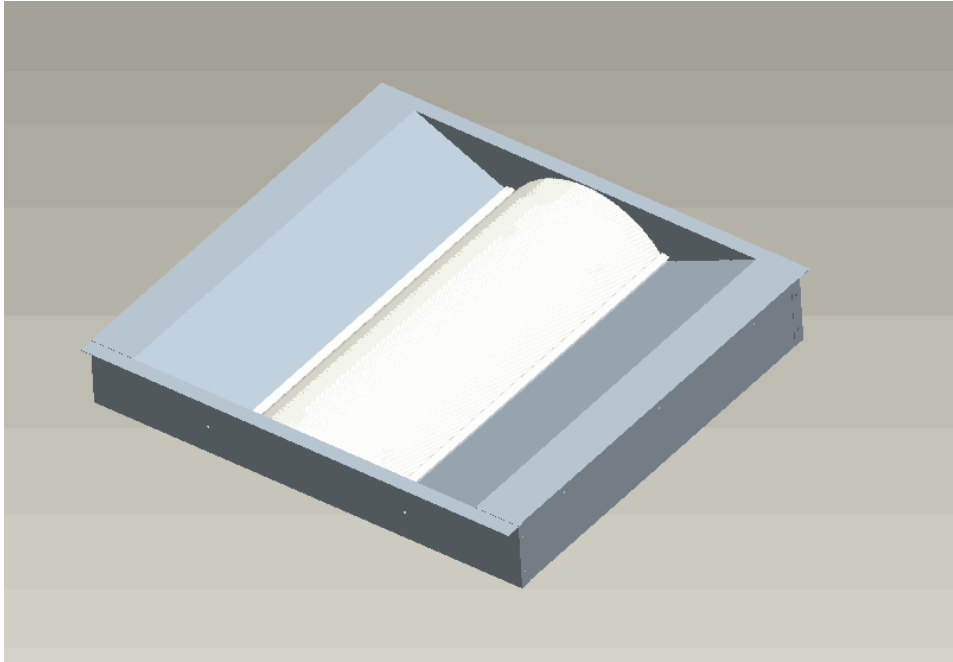


FULL TROFFER INSTALLATION GUIDE



JAYKAL

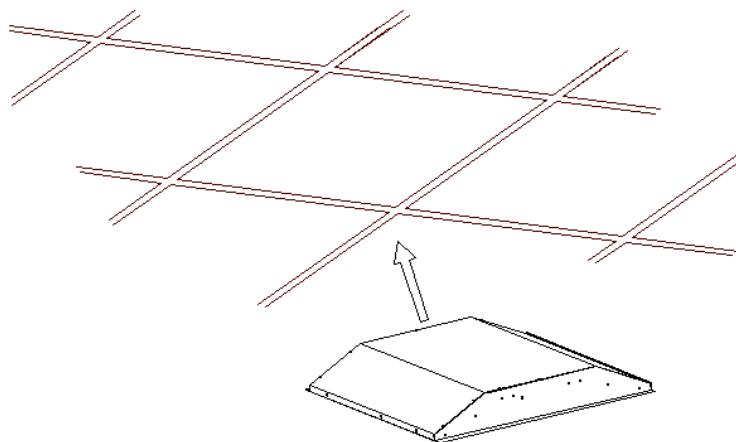
These installation instructions are suitable for the 14TRF, 22TRF and 24TRF Series of Troffers



Preparation:

Find and turn off the circuit breaker powering the troffer.

Remove the diffuser from full troffer. You are now ready to begin the installation.



Step 1: Pass the troffer through the opening of the ceiling (T-grid).

(P) 302-295-0015 | (E) sales@jaykal.net | (W) www.jaykal.net

efficiency. illuminated.

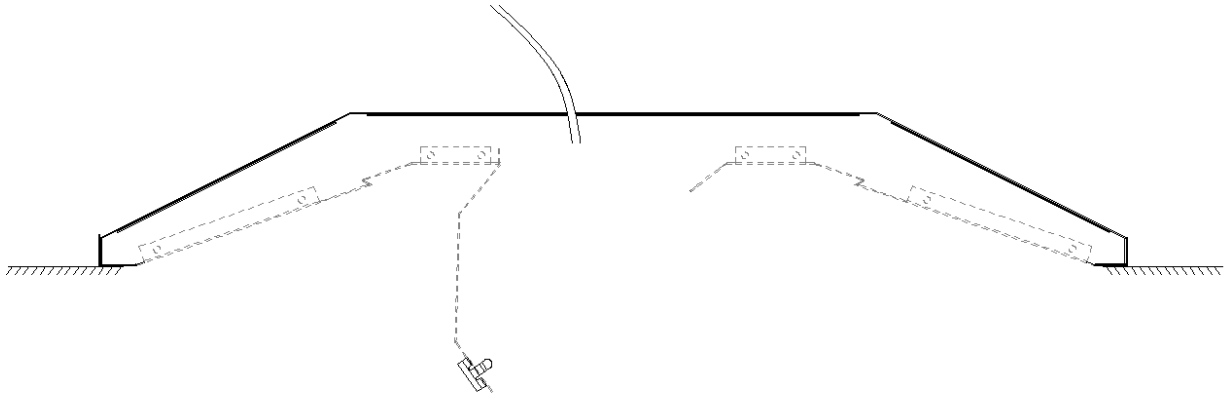
FULL TROFFER INSTALLATION GUIDE



JAYKAL

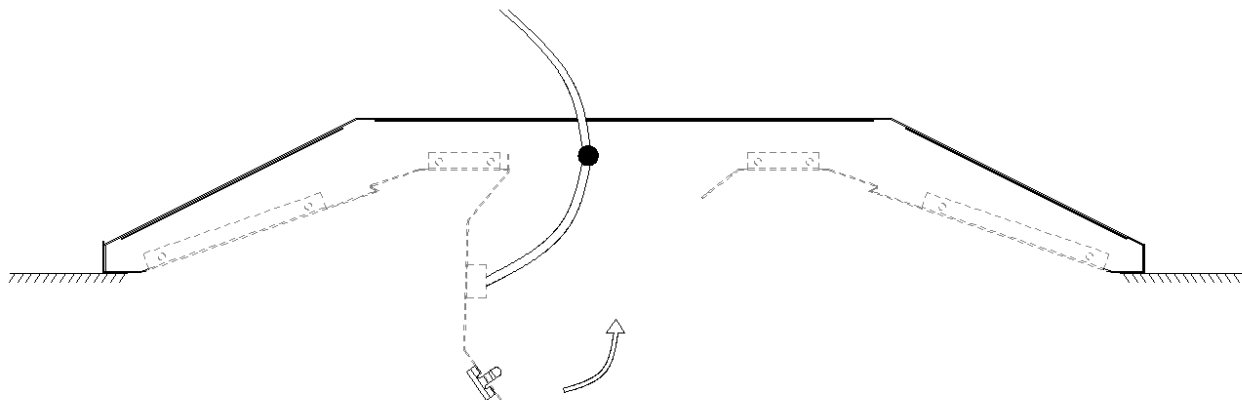
These installation instructions are suitable for the 14TRF, 22TRF and 24TRF Series of Troffers

Step 2:



Set the troffer into the grid. Inspect the fit of the troffer in the grid. The troffer should be lying flat in the grid with no gaps. Open the wiring cover using the twist locks. Pass the AC supply lines through the hole on top of the troffer housing or the side of the housing, depending upon the application.

Step 3:



Complete the AC wiring connection between troffer LED driver and the AC supply lines.
Black to Black (Line), White to White (Neutral), Green to Green (Ground).

(P) 302-295-0015 | (E) sales@jaykal.net | (W) www.jaykal.net

efficiency. illuminated.

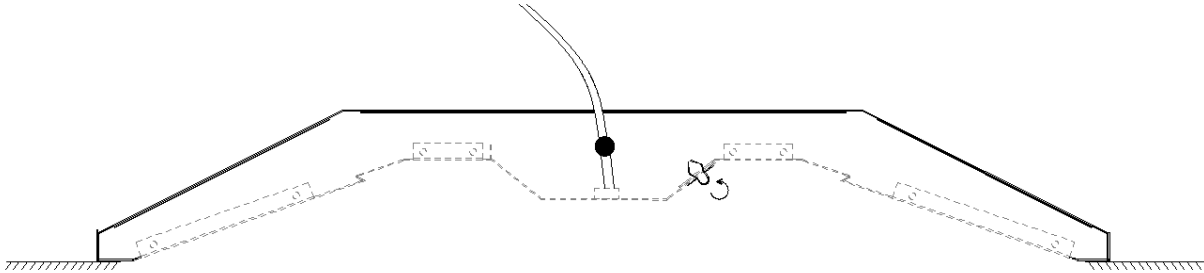
FULL TROFFER INSTALLATION GUIDE



JAYKAL

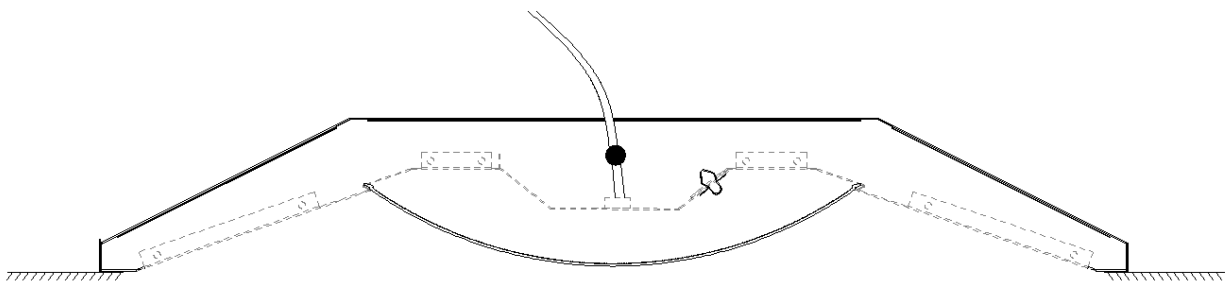
These installation instructions are suitable for the 14TRF, 22TRF and 24TRF Series of Troffers

Step 4:



Return the wiring cover to the closed position and use the twist locks to secure the cover

Step 5:



Reinstall the diffuser cover

Step 6:

Installation is complete. Restore power to the circuit and test the troffer for proper operation.

(P) 302-295-0015 | (E) sales@jaykal.net | (W) www.jaykal.net

efficiency. illuminated.



QUALITY ASSURANCE

- ◆ Quality assurance is contingent upon on the proper storage, transportation, proper packaging, installation, and performance of ongoing maintenance.
- ◆ Damages caused by improper installation or unintended applications are not covered under warranty.
- ◆ During the warranty period, the manufacturer will provide appropriate support and repair services as described in the warranty.

SAFETY

- ◆ Be aware of product features, size, dimensions, weight etc. during handling and installation.
- ◆ Handle with care during transportation and installation.
- ◆ Do not touch lamps or fixtures while the power is on.
- ◆ Heat is normal when lamps or fixtures are powered on, please use caution when working near fixtures.

WARNING

- ◆ JAYKAL Flood Lights must be installed in accordance with the product specifications and instructions, by a lighting or electrical professional.
- ◆ Avoid fire and electric shock hazards. When installing the lighting fixtures, you must be familiar with the electrical environment, wiring, etc. Do not install this product if you are unsure of the required electrical codes. Contact your electrician.
- ◆ Prior to installation, be sure to have a sound understanding of all structural features, as well as product dimensions.
- ◆ Do not drill new holes or make changes to the existing wiring or product design during installation.